

ROCKVILLE

XBAR-32

32" POWERED ATV/UTV SOUNDBAR
w/BLUETOOTH & LED LIGHTS

OWNER'S MANUAL

ATTENTION:

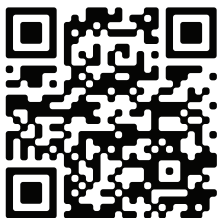
WATCH THIS VIDEO BEFORE FIRST USE!

Who reads manuals?

Scan the **QR code** or go to **rockvillesupport.com/xbar-32** to access how-to video(s), the owner's manual, and other important information you may need to get the most out of your item.

If you prefer written instructions, please read ahead!

With Rockville you get many options.



Missing items? If you ordered a bundle that includes more than one product and you are missing part of your bundle, then it just means your order shipped from two different warehouses. You will receive the remaining items very soon. If you have any concerns or inquiries, feel free to call our customer support center at 1-646-758-0144, 24 hours a day/7 days a week.

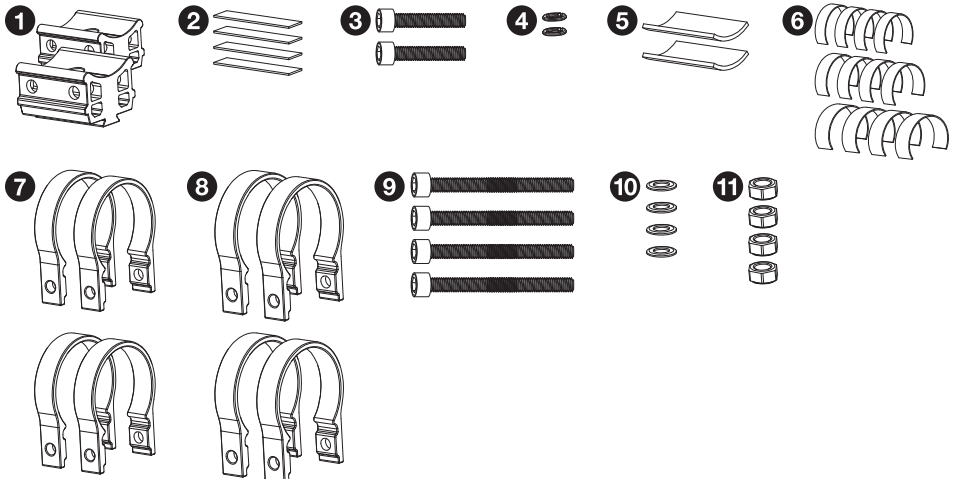
Thank you for purchasing this Rockville XBAR-32. Please read this owner's manual carefully for proper use of your XBAR-32. Should you need assistance, please call our technical help line at 1-646-758-0144, 24 hours a day/7 days a week.

Includes

- 1.75" & 2" clamps
- 1.5" & 1.875" rubber pads
- Mounting screws
- Wiring installation kit
- User manual

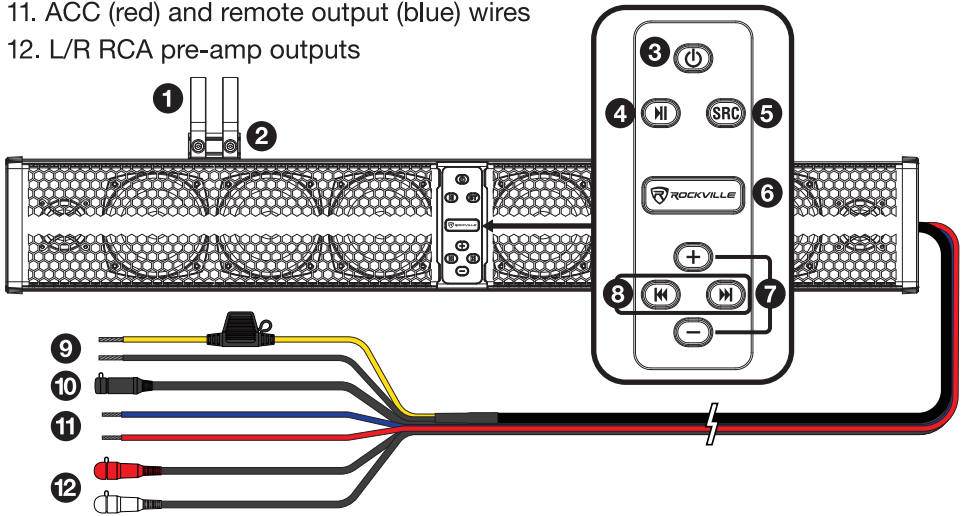
Parts List

1	Clamp base	2 PCS
2	Non-slip rubber strip (45 x 10mm)	4 PCS
3	M5x24mm screw	2 PCS
4	Spring washer for M5 screw	2 PCS
5	Non-slip rubber pad (48 x 30mm)	2 PCS
6	Non-slip rubber strip (120 x 14 x 1mm)	4 PCS
	Non-slip rubber strip (120 x 14 x 4mm)	4 PCS
	Non-slip rubber strip (130 x 14 x 2mm)	4 PCS
7	Clamp ring 1.75"	4 PCS
8	Aluminum ring 2"	4 PCS
9	M6x60mm screw	4 PCS
10	Non-slip flat washer for M6 screw	4 PCS
11	Non-slip nut for M6 screw	4 PCS



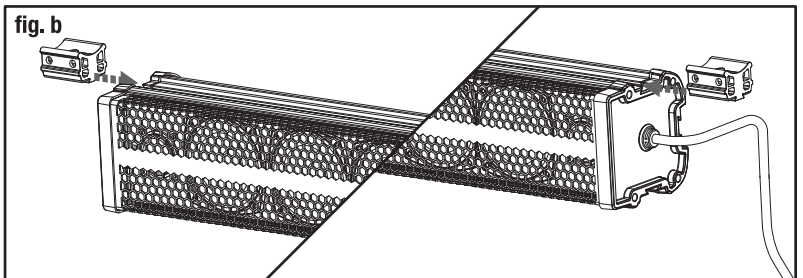
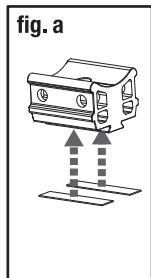
Functions

1. Aluminum rings
2. Mounting clamp
3. Power button: Press and hold for 3 seconds to power on or off.
4. Play/Pause
5. Source: Press to switch between Bluetooth and auxiliary input. This button will also act as the LED indicator for BT (blue) and auxiliary (green) modes.
6. LED control: Press to turn on LEDs, and continue pressing to cycle through the available modes (red LED/blue LED/purple LED/cycle through colors/off).
7. Volume +/Volume -: Short-press to increase or decrease volume in increments. Press and hold to continuously increase or decrease the volume. You will hear a beep when the volume is at its max setting.
8. Previous track/Next track
9. Power (yellow, with fuse) and ground (black) cables
10. 3.5mm AUX input
11. ACC (red) and remote output (blue) wires
12. L/R RCA pre-amp outputs



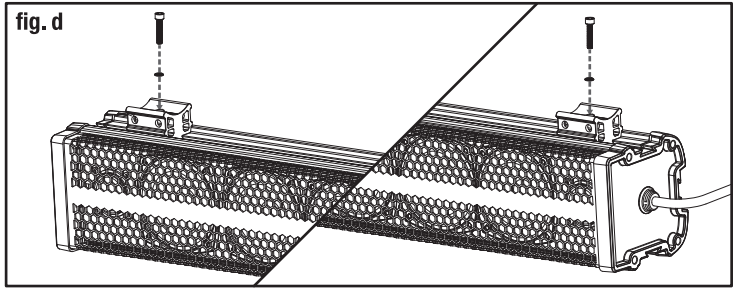
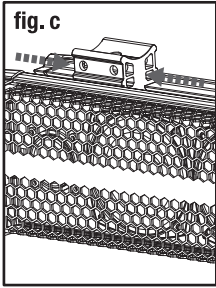
Installation

1. Stick two of the 45 x 10mm non-slip rubber strips (parts list no. 2) to the bottom of each clamp base (parts list no. 1) (fig. a), then insert the base clamps into the corresponding grooves at the top of the unit (fig. b).

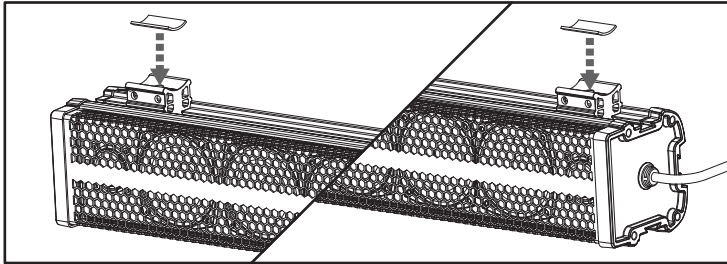


Installation (continued)

- Align the screw holes at the bottom of the base clamps with the positioning holes in the groove (fig. c). Use the M5 x 24mm screws (parts list no. 3) and M5 spring washers (parts list no. 4) to secure the clamps (fig. d).



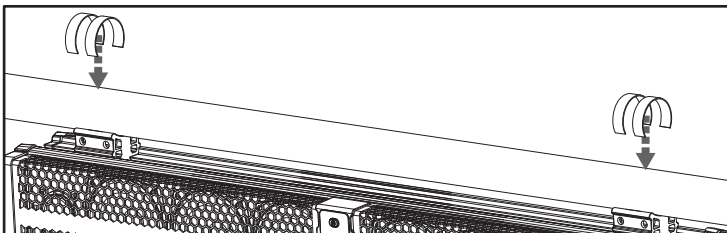
- Stick a 48 x 30mm non-slip rubber pad (parts list no. 5) on top of each clamp.



- Determine the size of the bar and then select the appropriate size clamp ring. The XBAR offers a 1.75" and a 2" clamp ring (parts list nos. 7 and 8) to fit bars from 1.5" to 2". Refer to the chart below to select the appropriate size clamp ring.

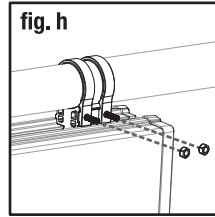
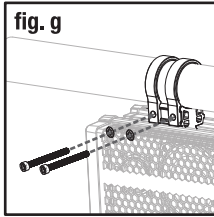
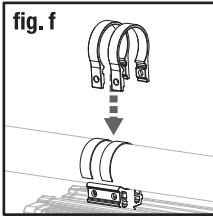
Bar Size	Ring	Rubber Strip Size
2"	2"	120 x 14 x 1mm
1.875"	2"	130 x 14 x 2mm
1.75"	1.75"	120 x 14 x 1mm
1.5"	1.75"	120 x 14 x 4mm

- Once you've determined the ring size, wrap the proper size non-slip rubber strip (parts list no. 6) around the bar to prevent it from being scratched by the ring. Refer to the chart above for appropriate rubber strip size.

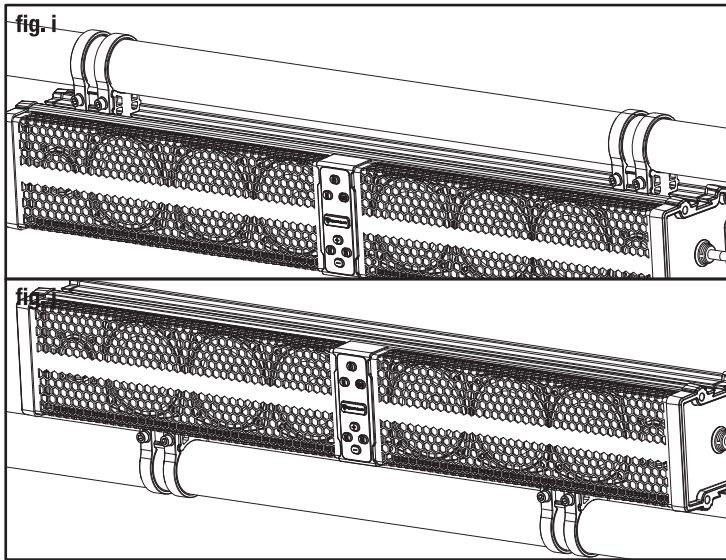


Installation (continued)

6. Place the clamp ring over the bar (fig. f). Ensure that the ring's screw holes are aligned with the clamp base's screw holes and insert M6 x 60mm screws (parts list no. 9) with M6 spring washers (parts list no. 10) into the holes (fig. g). Secure the screws using M6 nuts (parts list no. 11) (fig. h). Do not overtighten.



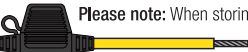
7. Installation is now complete (fig. i). The XBAR can also be installed above the bar (fig. j). To do so, simply slide the base clamps onto the corresponding grooves on the bottom of the bar and follow the rest of the installation steps.



Wiring

+12V Wire (yellow) Connect it to the positive (red) post of the vehicle's battery. Alternatively, you can attach a ring terminal (included) to the wire and connect it to the battery. To protect against short circuits, we recommend adding an in-line fuse holder (included) within 18" of the battery.

Please note: When storing your vehicle for prolonged periods of time, be sure to disconnect the fuse.



Ground Wire (black) Connect this wire, or a ring terminal (included) attached to the wire, to the battery's negative post or any metal part of the vehicle's chassis. Make sure that there is no paint or other insulator blocking a good ground connection.



L/R RCA Pre-amp Outputs Sends the signal from the soundbar to a second soundbar, a subwoofer, an amplifier, or more powered speakers.



3.5mm AUX Input Connect a smartphone, MP3 player, CD player, etc.



Remote Out If using an external amplifier, connect this wire to its remote terminal so the amplifier will shut off when the unit is shut off.



ACC Connect to your head unit's ACC wire or the vehicle's ignition.



Operation

Power

Press and hold for 3 seconds to power on and off. While the power is on, the background LED will be white.

Bluetooth Pairing

1. Power on the unit. It will automatically enter pairing mode and begin to search for discoverable devices. The Bluetooth LED indicator will flash intermittently.
2. Make sure that your device is discoverable. Look for and select XBAR-32 from the list of available Bluetooth devices. Once paired, the Bluetooth LED indicator will remain solid.
3. Use your device or the XBAR to control playback functions and set the volume.

Auto-Connect

If the unit is disconnected from the device it is paired to, it will automatically try to pair with that device the next time it is within range. When disconnected, the XBAR will enter pairing mode and the Bluetooth indicator LED will flash blue. If the device is not in range within 10 minutes, the unit will exit pairing mode and the pairing procedure will have to be repeated to reconnect.

Please note: It is possible to connect another device within the 10-minute period. If that happens, you must repeat the pairing procedure to reconnect the previously connected device.

Auxiliary Input

Connect a 3.5mm jack to the AUX input and press play on the input device. The indicator LED will be green. If the unit is in Bluetooth mode, press the SRC button to switch to Aux-In mode. Use your device to control playback functions. Volume may be controlled via the XBAR or your device.

Features and Specifications

- 32" amplified Bluetooth sound system
- Built-in class D stereo power amplifier
- 300 watts RMS/600 watts peak
- (4) 3.5" mid-bass drivers with Y35 ferrite magnets
- (2) 3.5" mid-range drivers with Y35 ferrite magnets
- Polypropylene mica cone
- Butyl rubber surround
- Forward-firing speakers for maximum SPL and sound staging
- (2) 1" PEI dome tweeters
- Built-in Bluetooth technology
- Bluetooth version 5.0
- Supports A2DP audio streaming
- Bluetooth range up to 32.8 feet
- 3.5mm auxiliary input

Features and Specifications (continued)

- RCA output for a second sound bar, subwoofer, amplifier, or powered speakers
- Built-in LED lights (red, blue, purple)
- LED modes: solid color, color cycle
- Marine-rated with rugged weatherproof exterior
- IPX6 waterproofing/weatherproofing
- Weather-resistant grills and hardware
- Clean installation (includes a harness that gets hard-wired to the vehicle battery)
- Multi-angle adjustable clamp system fits 1.5"/1.75"/1.875"/2" bars
- Frequency response: 50Hz – 22kHz
- Dimensions (H x L x D): 4.65" x 31.38" x 4.69"

TROUBLESHOOTING

PROBLEM	SOLUTION
No power	<ol style="list-style-type: none">1. Check your ground and power connections.2. Make sure the power terminal is receiving at least 12V.3. Check the fuse and replace if necessary.4. Make sure the ACC wire (red) is hooked up to an accessory or vehicle ignition source and not the battery.
No output	<ol style="list-style-type: none">1. Check the fuse and replace if necessary.2. Make sure the unit is properly grounded.3. Make sure the Remote turn on is receiving at least 5VDC.4. Make sure the RCA cables are properly connected.5. Check the input source.
High hiss sound	<ol style="list-style-type: none">1. Check to see how your wires are run. If your RCA cables and speaker wire are run alongside your power cables, they will pick up feedback. If this is the case, you will need to run the RCA cable on the other side separate from your power cable.2. Noise can be picked up due to bad RCA cables. We recommend doing a test with different RCA cables. Replace the RCA cables if needed.
Squealing noise	Check for improperly grounded RCA interconnects.
Engine noise (static type)	This is usually caused by poor quality RCA cables, which can pick up radiated noise. Use high quality cables and route them away from power cables.
Engine noise (alternator whine)	<ol style="list-style-type: none">1. Make sure the RCA grounds are not shorted to the vehicle's chassis.2. Make sure the XBAR-32 is properly grounded.

FEDERAL COMMUNICATIONS COMMISSION COMPLIANCE INFORMATION

Responsible party name: Rockville

Address: 600 Bayview Ave.
Entrance A
Inwood, NY 11096

Hereby declares that the product XBAR-32 complies with FCC rules as mentioned in the following paragraph:

This device complies with Part 15 of the FCC rules. Operation is subject to the following two conditions: (1) this device may not cause harmful interference, and (2) this device must accept any interference received, including interference that may cause undesired operation.

Note: This equipment has been tested and found to comply with the limits for a Class B digital device, pursuant to Part 15 of the FCC rules. These limits are designed to provide reasonable protection against harmful interference in a residential installation. This equipment generates, uses, and can radiate radio frequency energy and, if not installed and used in accordance with the instructions, may cause harmful interference to radio communications. However, there is no guarantee that interference will not occur in a particular installation. If this equipment does cause harmful interference to radio or television reception, which can be determined by turning the equipment off and on, the user is encouraged to try to correct the interference by one or more of the following measures:

- Reorient or relocate the receiving antenna.
- Increase the separation between the equipment and receiver.
- Connect the equipment to an outlet on a circuit different from that to which the receiver is connected.
- Consult the dealer or an experienced radio/TV technician for help.



ROCKVILLE

RockvilleAudio.com

©2022 ROCKVILLE // The information presented is subject to change and/or improvement without notice.