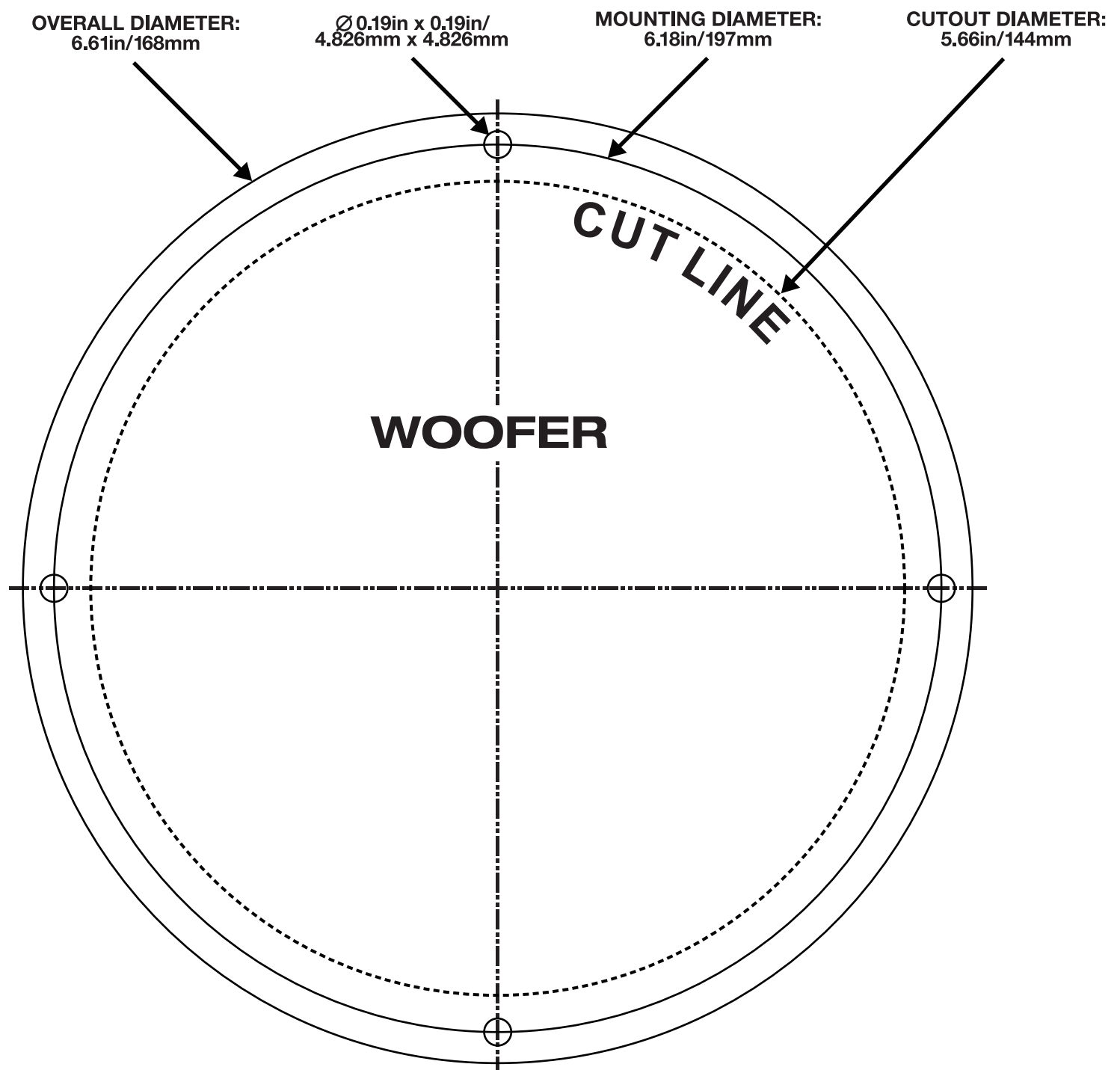
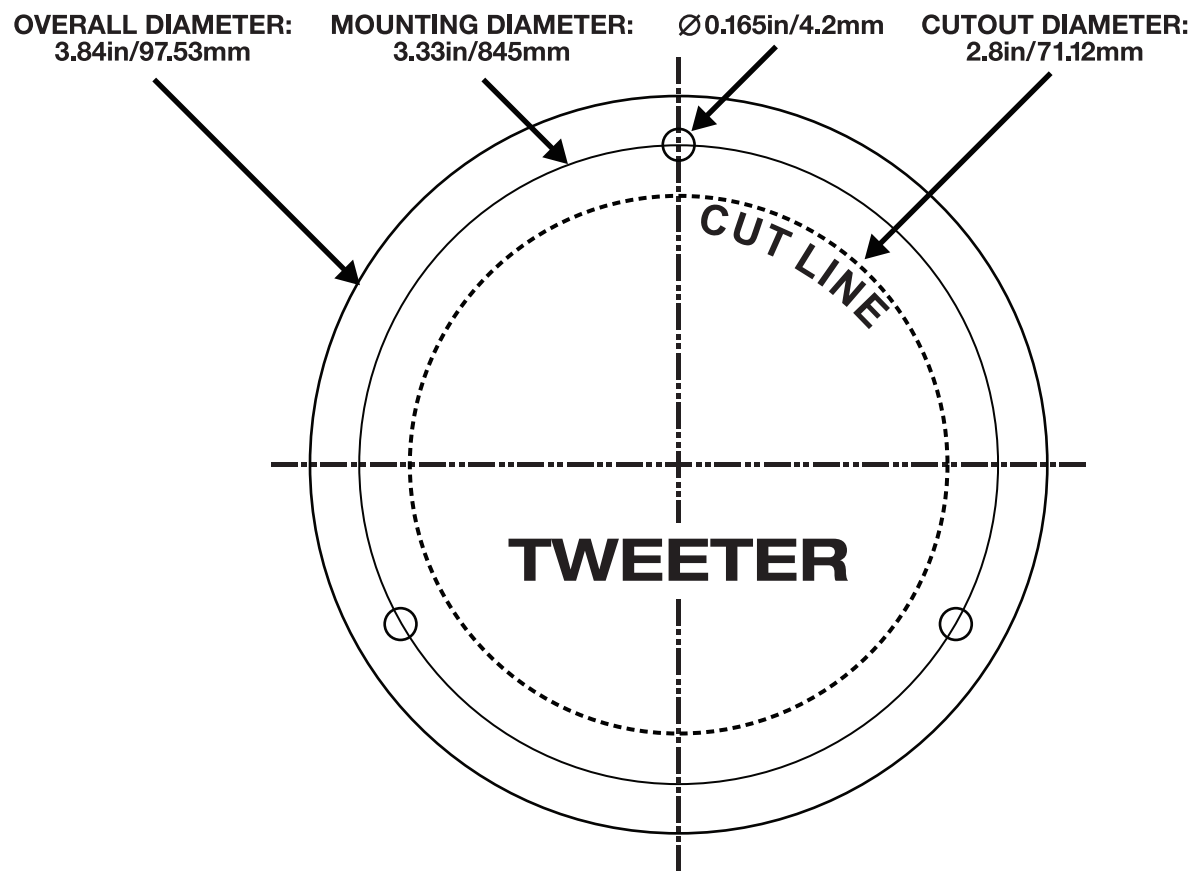


ROCKVILLE

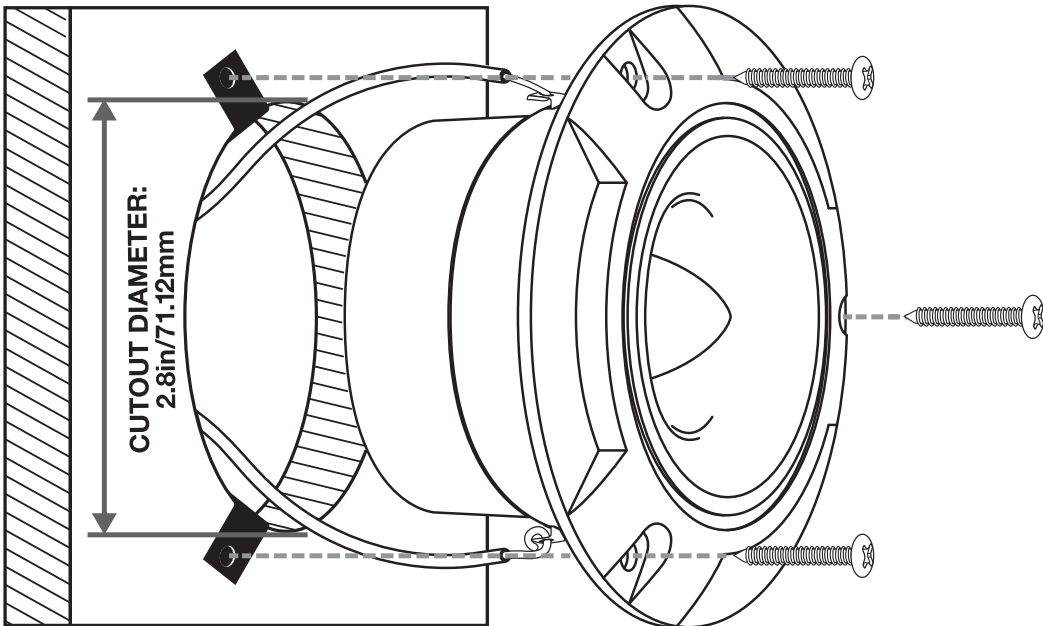
X6.5C CUTTING TEMPLATE, 1:1 SCALE

Should you need assistance, please call our technical help line at 1-646-758-0144, 24 hours a day/7 days a week.

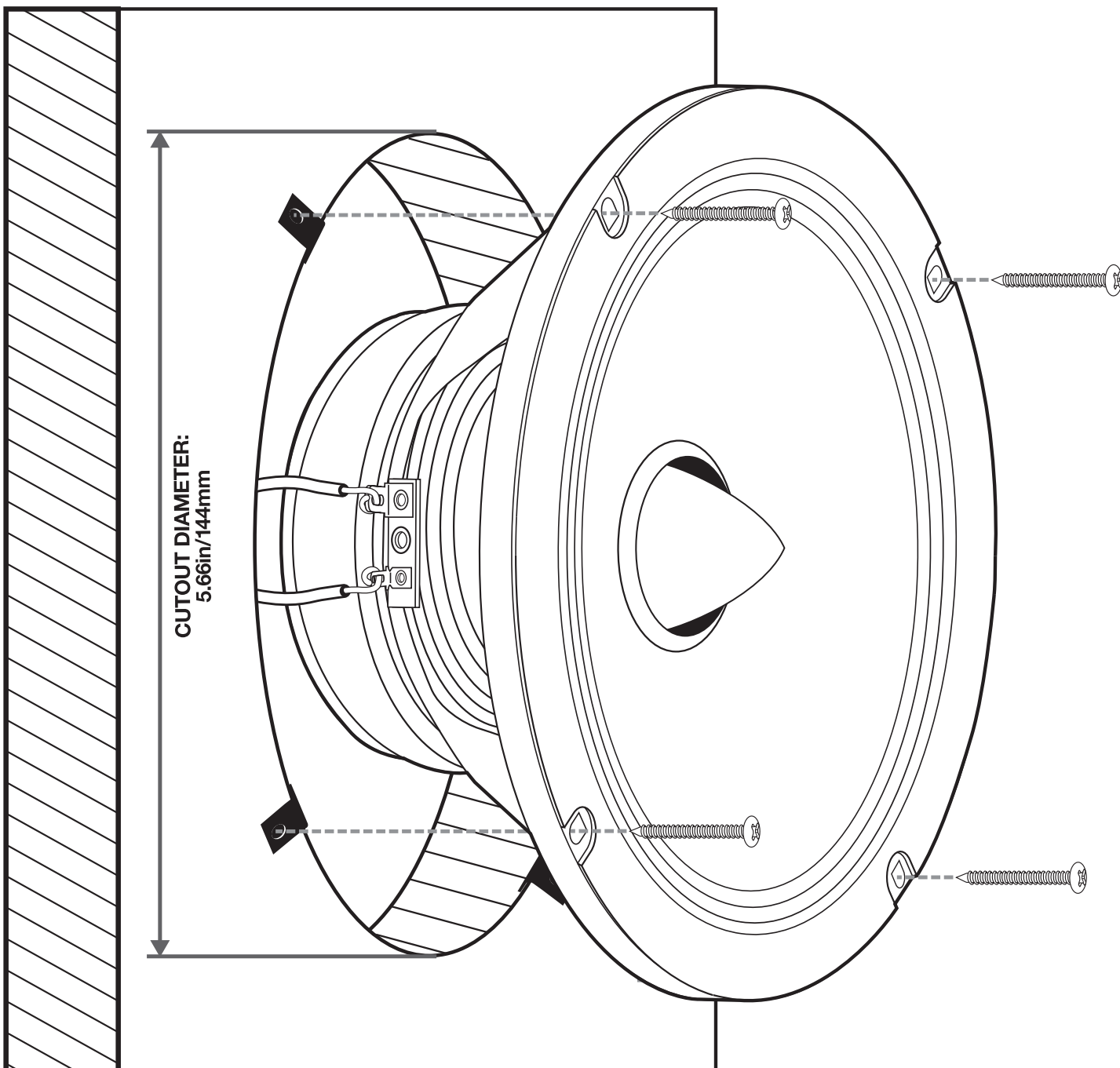


ROCKVILLE

TWEETER MOUNTING INSTRUCTIONS



WOOFER MOUNTING INSTRUCTIONS



CROSSOVER MOUNTING INSTRUCTIONS

Though we recommend mounting the crossovers to the interior of your vehicle's doors, they can be installed elsewhere depending on the nature of your installation.

1. Remove your vehicle's door panels as per the manufacturer's instructions.
2. Identify the surface to which you will mount the crossover and clean it thoroughly. Choose a flat surface in an area where the crossover will not interfere with the proper operation of the door's internal mechanisms.
3. Use double sided adhesive tape to secure the crossover to the mounting surface. Ensure it is properly and securely mounted. In addition to the double sided tape, you can use hot glue to ensure that the crossover remains firmly mounted in place.

RockvilleAudio.com

©2022 ROCKVILLE // The information presented is subject to change and/or improvement without notice.