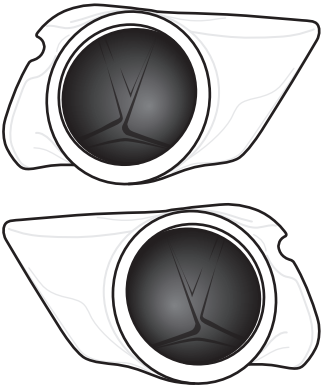

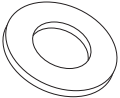




# RockZR

## Installation Instructions

Thank you for purchasing these RockZR 6.5" Kick Panel Speaker Pods for your 2014 – 2017 Polaris RZR 1000/900S and Turbo UTVs. Please read these instructions carefully before installing. Make sure all parts are included. If any parts are missing please contact our technical help line at 1-646-758-0144, 24 hours a day/7 days a week. Additionally, you can scan the QR code above or go to [rockvillesupport.com/rockzr](http://rockvillesupport.com/rockzr) to access how-to video(s), the owner's manual, and other important information you may need to get the most out of your item.

RockZR enclosure		1 pair
M6 x 1.0 screws		6 pcs.
M6 washers		6 pcs.
driver's side/passenger's side inside templates		1 each
driver's side/passenger's side outside templates		1 each

### Specifications

- Speaker Size: 6.5"
- Width: 10"
- Cutout Diameter: 5.6"
- Height: 9"
- Depth: 2.75"
- Weight: 4.85 lbs.
- Length: 9.5"

### Tools needed:

- Wire crimpers
- Wire strippers
- T-30 Torx driver
- Drill with 1/8", 1/4", and 1/2" drill bits
- #2 Phillips screwdriver
- Scribe or marker
- Utility knife

### Fits

- RZR XP 1000 All Years
- RZR 1000S All Years
- RZR XP 4 1000 All Years
- 2014 – 15 RZR XP 4 1000
- RZR 900S 2015 – Current
- RZR Turbo All Years

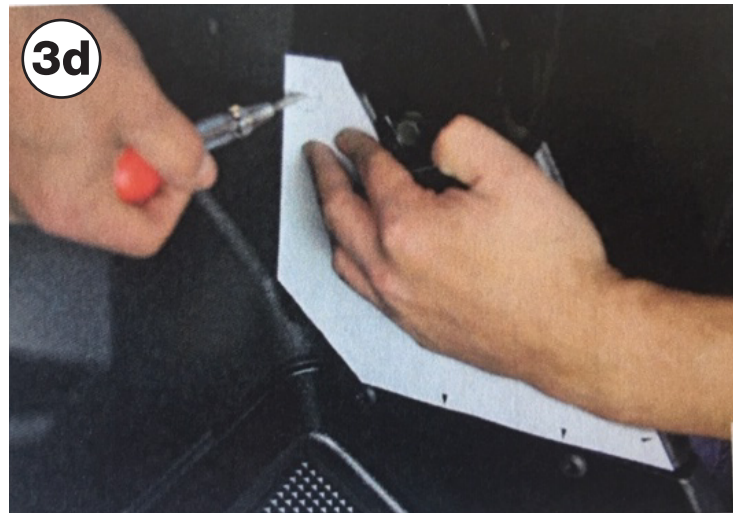
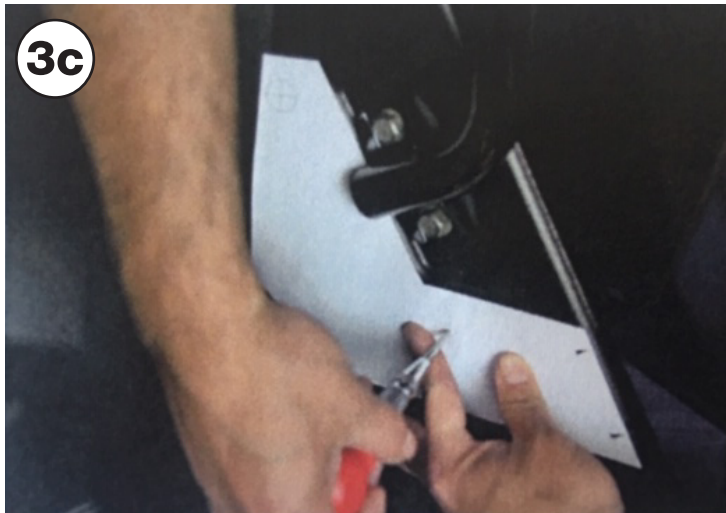
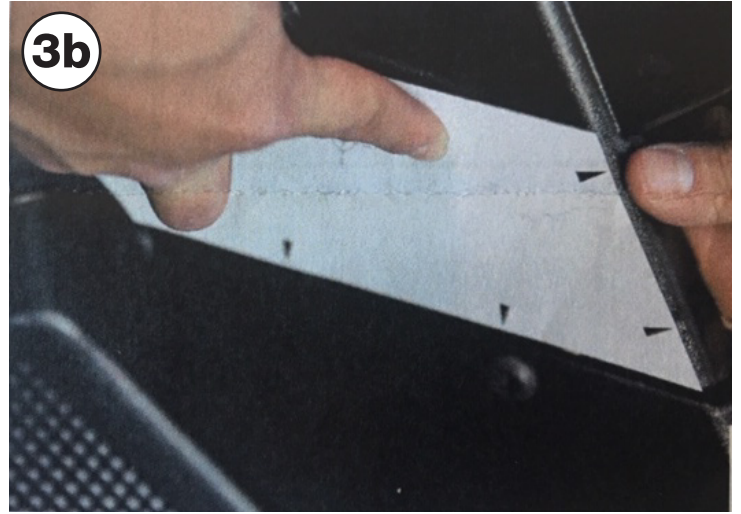
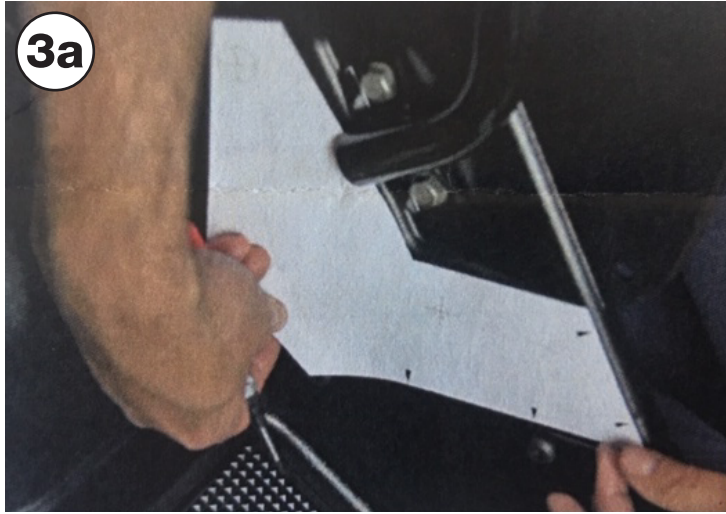


**1.** Remove the ten T40 Torx bolts that secure the 2 piece fender. Note: There is one screw inside the fender well. Remove the two additional screws from the striker plate, Slide the fender up the cage rail and secure.



**2.** Using the utility knife or someother cutting tool, cut off the two plastic factory nubs in the foot well. Cu them as flush with the panel as possible.

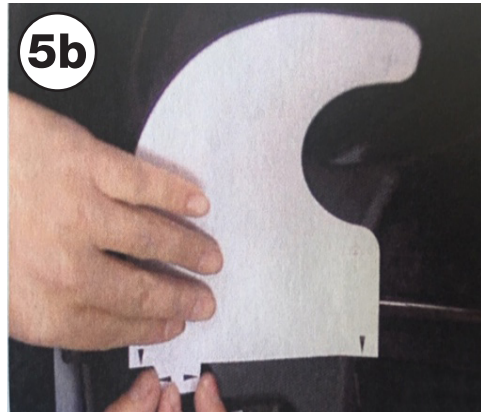
**PLEASE NOTE:** if the pod does not come pre-installed with speaker, do not use the provided paper templates. Use the pod mounting holes as your drill template. Hold the pod in position and mark the drill holes through the empty pod using a scribe tool. All pilot holes will be drilled from the inside footwell.



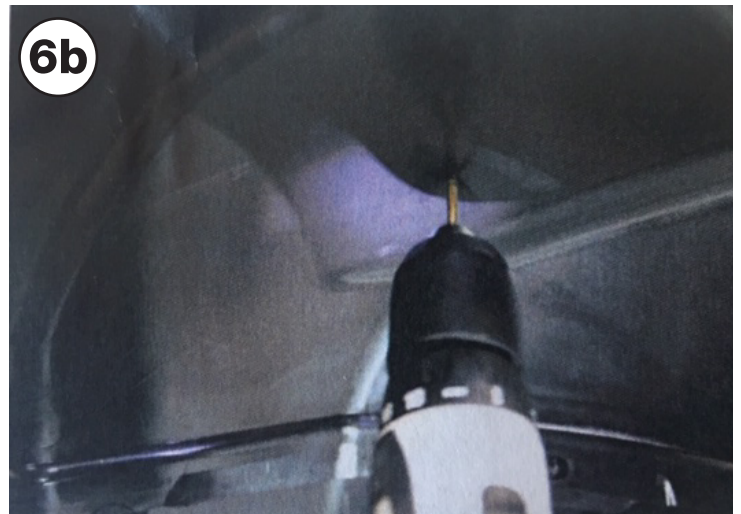
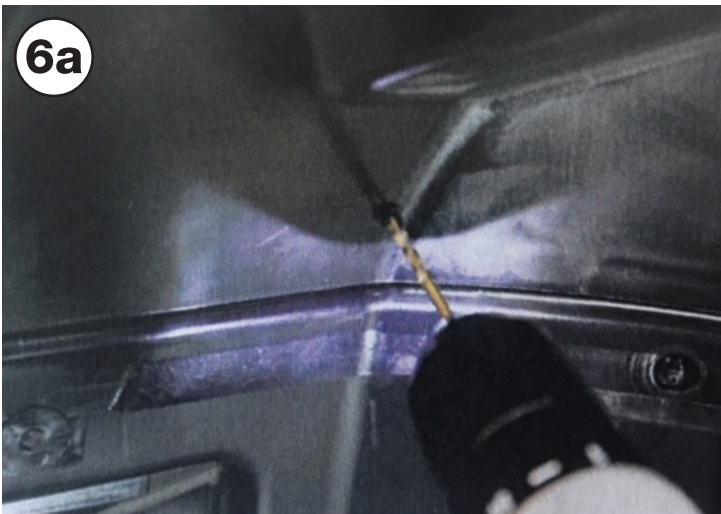
**3.** Cut out the **INSIDE** templates (driver/passenger) along the cut line. Position the template on the inside of the footwell making sure to square up the template along the factory panel as shown in image 3a and 3b. Using a scribing tool, mark the center of the 2 drill points illustrated on the template as shown in 3c and 3d.



**4.** Use a 1/8" drill bit to drill a pilot hole at the points marked in step 3. Then follow up by using a 1/4" drill bit in the lower pilot hole (for mounting the pod) and a 1/2" drill bit in the upper pilot hole (for speaker cable).



**5.** Cut out the outside template (driver/passenger) along the cut line. Position the template onteh outside footwell. Make sure the bottom of the template lines up along the bottom edge and tab of the factory panel as shown in images 5a, 5b, and 5c. Using a scribing tool, mark the center of the 2 drill points illustrated on the template as shown in images 5d and 5e. When marking these holes, make sure the template is flush against the factory panel.



**6.** Use a 1/8" drill bit to drill a pilot hole at the points marked in step 5. Then follow up by using a 1/4" drill bit in the lower pilot hole (for mounting the pod).



**7.** Route the speaker cable attached to the pod through the inside footwell 1/2" hole.



**8.** Position the speaker pod in place and line up with the drilled mounting holes.



**9.** With the provided M6 screws and washers, loosely mount the pod through the 3 holes previously drilled. Once all screws have been inserted into the pod, hand tighten all 3 screws.



**10.** Route the speaker wire away from any moving parts and any sharp metal, then connect to the amplifier.