

# ROCKVILLE

## ROCK PARTY 8 DUAL 8" BATTERY-POWERED HOME/ PORTABLE BLUETOOTH SPEAKER

### OWNER'S MANUAL

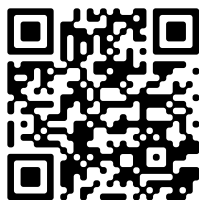
**ATTENTION:  
WATCH THIS VIDEO BEFORE FIRST USE!**

#### *Who reads manuals?*

Scan the **QR code** or go to [rockvillesupport.com/rock-party-8](http://rockvillesupport.com/rock-party-8) to access how-to video(s), the owner's manual, and other important information you may need to get the most out of your item.

**If you prefer written instructions, please read ahead!**

*With Rockville you get many options.*



**Missing items?** If you ordered a bundle that includes more than one product and you are missing part of your bundle then it just means your order shipped from two different warehouses. You will receive the remaining items very soon. If you have any concerns or inquiries, feel free to call our customer support center at 1-646-758-0144, 24 hours a day/7 days a week.



# ROCKVILLE

Thank you for purchasing this Rockville ROCK PARTY 8. Please read this owner's manual carefully for proper use of your Rock Party 8. Should you need assistance, please call our technical help line at 1-646-758-0144, 24 hours a day/7 days a week.

## Included

- (1) Dual 8" Battery-Powered Bluetooth Speaker
- Remote control
- Power Cable
- Owner's Manual
- Warranty

## IMPORTANT SAFETY INSTRUCTIONS



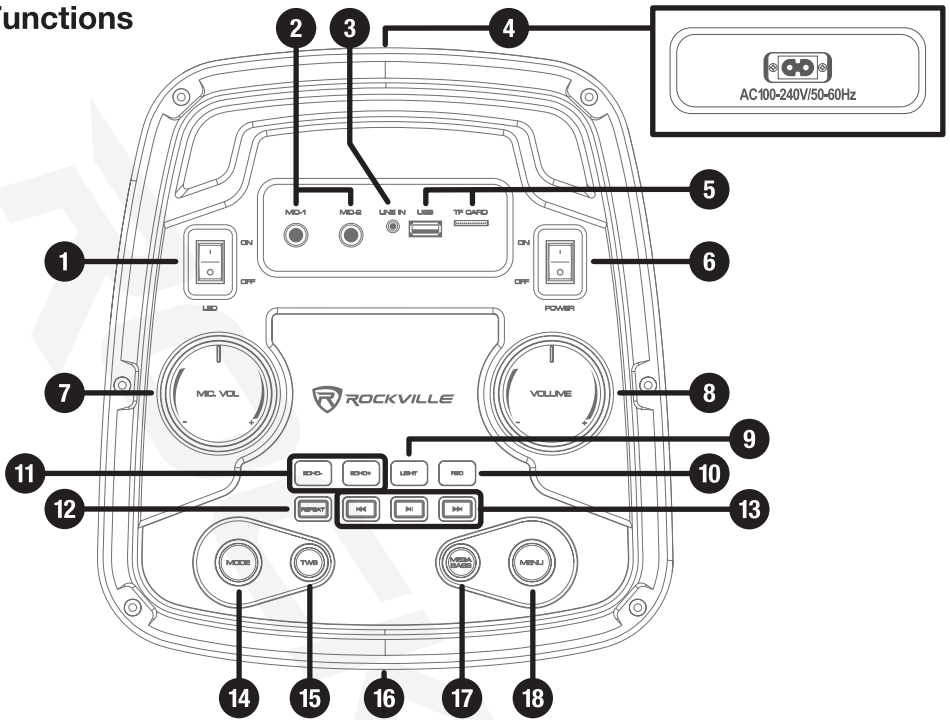
- To reduce risk of electric shock, never open the unit. There are no user-serviceable parts, refer service to the Rockville service center.
- Do not expose this unit to any kind of moisture.
- Make sure the unit is placed on a level and stable surface.

## How to Avoid Irritating Feedback

The placement of your microphone is critical in avoiding feedback through your Rock Party 8 speaker. Never set up your microphone in front of the speaker. Always set up your microphone behind the speaker. When approaching the speaker to make any adjustments, we recommend approaching the speaker from the rear and not walking directly toward the front of the speaker.



# Functions



1. LED ON/OFF button
2. ¼" Unbalanced microphone inputs. Please note: We recommend using professional unbalanced dynamic mics as they are least likely to be affected by interference. Low cost, high impedance mics can be used, however the level of background noise is higher since an unbalanced circuit is far more susceptible to interference.
3. 3.5mm AUX input
4. Charging port
5. USB/SD input ports
6. Power button
7. Mic volume
8. Master volume
9. Light: Press the LIGHT button to cycle through the 7 LED colors. Press and hold the button to cycle through the available modes (see page 6).
10. REC - allows for recording of input from wired mics connected to the speaker.
11. Echo -/Echo +: use these buttons to adjust the mic echo effect.
12. Repeat: Press once to repeat single song, press twice to repeat all songs.
13. Play/Pause button: Press the button to pause or resume audio playback in USB/SD and Bluetooth mode.  
Previous/Next buttons: During USB/SD and Bluetooth playback, use these buttons to move to the previous or next track.
14. Mode button: Press to switch between input modes: Bluetooth, USB/SD, and AUX input.
15. TWS: Press to activate wireless stereo mode.
16. LED display (on the front of the unit)
17. Mega bass: This button gives a boost to low frequencies for increased bass response.

## Functions (continued)

18. Menu button: Press to access bass, treble, and mic volume controls.

### Remote Control

19. Mute

20. Stand-by

21. Playback controls: ◀◀ - press to select previous track,  
▶▶ - press to start or pause playback,  
▶▶| - press to select next track.

22. Mode (see item 14 on page 2)

23. Repeat: Press once to repeat single song, press twice to repeat all songs.

24. Light (see item 9 on page 2)

25. Record functions: REC - allows for recording of input from wired mics connected to the speaker.  
REC PLAY - use this button to play back any recordings made using the record button.  
R-DEL - press this button to delete recordings.  
Please note: Recordings are saved to USB drive or SD card connected to the unit.

26. Echo-/Echo+: Use these buttons to adjust the mic echo effect.

27. M-PRI: Press this button to activate or deactivate mic priority function. When activated, this function will lower the music level while the mic is being used.

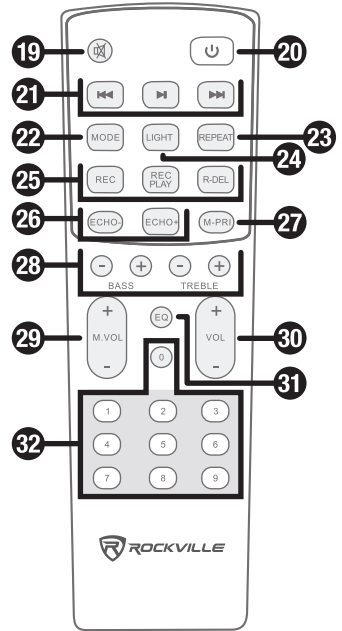
28. Bass/Treble +/-: Use these buttons to adjust bass and treble levels.

29. Mic Vol+/Vol-: Use to adjust the mic input volume.

30. Vol+/Vol-: Use to adjust the speaker's volume.

31. EQ: Press to select preset EQ; Normal and Bass boost

32. Number pad: Use the number pad to directly select tracks in USB or SD mode.



## Operation

### TWS

The Rock Party 8 features true wireless stereo (TWS) Bluetooth linking. This means you can purchase two of these speakers and link them together to play in stereo wirelessly.

1. There should be no active Bluetooth connection to either speaker. If there is, unpair them from the connected device.
2. Make sure the speakers are within 50 feet (15m) of each other. Turn both ON. They will automatically go into Bluetooth pairing mode. The LCD screens will flash the word "BLUE" and you will hear a voice prompt.
3. Press the TWS button on one speaker. The word "TVS" will flash on that speaker's LCD screen. Within a few seconds the speakers will automatically connect to each other. You will hear a voice prompt and the word "TVS" will be replaced with the word "BLUE" which will be flashing.
4. Go to your input device's Bluetooth interface and select "Rock Party 8" from the list of available devices. Upon successfully connecting, the word "BLUE" will stop flashing and you will hear a voice prompt. Both speaker's LCD screens will display the word "BLUE."
5. To terminate TWS mode, press and hold the TWS button on either one of the units.

## **Operation (continued)**

Please note: In TWS mode, the speakers are synced so that either speaker can control volume and playback functions. All other functions (LED modes, preset EQs, etc.) work independently of each other.

### **Bluetooth**

To connect your iPod, iPad, iPhone, MP3 player, Android phone or tablet, or any other Bluetooth-capable device, follow the steps listed below.

1. Make sure the speaker is ON.

To connect your iPod, iPad, iPhone, MP3 player, Android phone or tablet, or any other Bluetooth-capable device, follow the steps listed below.

1. Make sure the speaker is ON.
2. Press the MODE button on the unit or the remote control until you are in Bluetooth mode. The word "BLUE" will appear on the LED readout and will flash intermittently.
3. Turn on the Bluetooth feature on your device and ensure that it is discoverable. Look for and select "Rock Party 8" from the list of available devices.
4. Upon successful pairing, the word "BLUE" will stop flashing.
5. Use the PLAY/PAUSE button to pause and resume playback.
6. Use the PREVIOUS/NEXT buttons for track selection.
7. Use the master VOLUME knob to set the volume level.

### **Microphone**

You can connect two wired mics (not included) via the ¼" unbalanced MIC IN ports located on the top of the unit. There is an independent mic volume control and an echo effect control on the remote. To connect wired mics, follow the procedure below.

1. Make sure the speaker is OFF.
2. Plug your microphone(s) into either of the ¼" mic inputs (MIC 1 or MIC 2).
3. Set the MIC VOL to the lowest setting.
4. Set the master VOLUME to the lowest setting.
5. Turn the speaker ON.
6. Slowly adjust the MIC VOL until you've reached the desired level.
7. Adjust the master VOLUME as needed.

Always stand behind the unit when using microphones so as to avoid feedback.

### **Recording Microphone Input**

The Rock Party 8 can record all microphone input to a USB drive. Simply press the REC button on the remote control while using the microphone(s). To play back your recording, press the REC PLAY button on the remote control. To delete the recording, press the R-DEL button.

### **USB/SD**

The built-in media player allows you to play MP3 files. To access this function, follow the steps below.

1. Make sure the speaker is ON.
2. Insert a USB flash drive or SD card into the corresponding port. Music should begin playing automatically.
3. Use the PLAY/PAUSE button to pause and resume playback.
4. Use the PREVIOUS/NEXT buttons for track selection.
5. Use the master VOLUME knob to set the volume level.

Please note: The unit can accept SD cards and USB drives with a max capacity of 32GB. Accepted formats are MP3, WMA, WAV, and FLAC.

### **AUX**

The 3.5mm AUX jack allows for input from smartphones, MP3 players, CD players, or any other external signal source with a 3.5mm jack or RCA outputs. Please note you will need either a 3.5mm-to-3.5mm cable or an RCA-to-3.5mm cable (not included).

1. Make sure the speaker is OFF.
2. Set the master VOLUME to the lowest setting.
3. Connect signal source to the 3.5mm AUX input.
4. Turn the speaker ON.
5. Set the master VOLUME to the desired level.

Please note: Inserting a USB drive or SD card will override AUX input.

### **Battery Operation and Charging**

To use the internal battery, first ensure that the battery is fully charged (see the charging procedure below).

#### **To charge the battery:**

1. Turn the speaker off.
2. Plug in the external power supply to the charging port located at the back of the unit.
3. The battery will begin to charge automatically and the LED indicator on the LED display charging port will be RED.
4. Once the battery is fully charged, the LED indicator will be green.

Please note: You can use the speaker while it is charging. Charging time is 5 hours. The battery will last 3 hours at high volume and 8 hours at low volume.

## Features and Specifications

- 500W Peak power
- 250W Program power
- 125W Continuous RMS power
- Rechargeable speaker can last 3–6 hours per charge depending on volume
- Built-in Bluetooth 5.0 audio streaming (up to 66 feet)
- Built-in TWS (true wireless stereo) technology for linking of two speakers
- USB input (32GB)
- TF card input (32GB)
- Two high-power, long-throw dual 8" woofers with 1" tweeter
- 12V/7.5A lead acid battery
- Rechargeable battery lasts about 6 hours on low volume, about 3 hours on high volume
- Two ¼" mic inputs with mic volume control
- 3.5mm aux input
- Mega bass button adds more low end bass to your music
- Rotary volume control
- Echo control, bass control, treble control
- Ported enclosure for enhanced bass response
- Carry handle for easy portability
- Preset equalizer curves (normal, bass boost)
- Light modes: off, rotate to the beat, blinking to the beat, spectrum analyzing to the beat
- Selectable colors in each mode: Red, yellow, green, light blue, dark blue, purple, pink, and white.
- LED display
- Class D amplifier
- Record function: Record microphone output onto a USB drive or an SD card
- Unit weight: 23.14lbs.
- Unit dimensions: 12.59" x 12.2" x 24.8"



# Troubleshooting

PROBLEM	SOLUTION
No power	<ol style="list-style-type: none"><li>1. Make sure the unit is plugged in and the power switch is in the ON position.</li><li>2. Check that the power cable is plugged in tightly to the unit.</li><li>3. Make sure the battery is fully charged (see page 5 for details).</li></ol>
No sound/ distorted sound	<ol style="list-style-type: none"><li>1. Check that all input cables are plugged in correctly.</li><li>2. Check all volume settings (on the unit and the remote control).</li><li>3. Be sure volume of the input source is set properly.</li><li>4. If using mics, make sure the corresponding volume control is set properly.</li><li>5. Be sure your microphones are turned on.</li><li>7. If volume and EQ settings are maxed out, turn one of them down as you may be overdriving the unit.</li></ol>
Buzzing sound	Make sure you are using a proper cable. For 1/4" cables, there are three types: instrument, TS (unbalanced), and TRS (balanced). Check the requirements of the connected gear and the input of the speaker, and make sure you are using the appropriate cable.
Mic feedback	Point the mics away from the speaker. Make sure they are behind the speaker.
Poor mic sound	Make sure the microphones are on, that you are using the appropriate cable, and that the volume settings are turned up.
Bluetooth/TWS pairing fails	<ol style="list-style-type: none"><li>1. Check to see that both devices are turned on and that your Bluetooth device is discoverable.</li><li>2. Turn both devices off and then on.</li><li>3. Make sure you've selected the proper source.</li><li>4. Make sure that the Bluetooth device is within 5 feet of the unit.</li><li>5. Move both devices away from other Bluetooth devices, microwaves, wireless routers, and other electronics.</li><li>6. Make sure that the unit is not paired to a previously paired device or to another speaker.</li></ol> <p><b>Please refer to pages 3 and 4 for TWS and Bluetooth pairing procedures.</b></p>
No SD or USB playback	<ol style="list-style-type: none"><li>1. Make sure you've selected the proper source.</li><li>2. Make sure that the audio files are in the specified format.</li><li>3. Make sure the drive is not larger than the acceptable capacity rating and that it is properly formatted (see page 5 for details).</li></ol>

## FEDERAL COMMUNICATIONS COMMISSION COMPLIANCE INFORMATION

Responsible party name: Rockville

Address: 600 Bayview Ave.  
Entrance A  
Inwood, NY 11096

Hereby declares that the product Rock Party 8 complies with FCC rules as mentioned in the following paragraph:

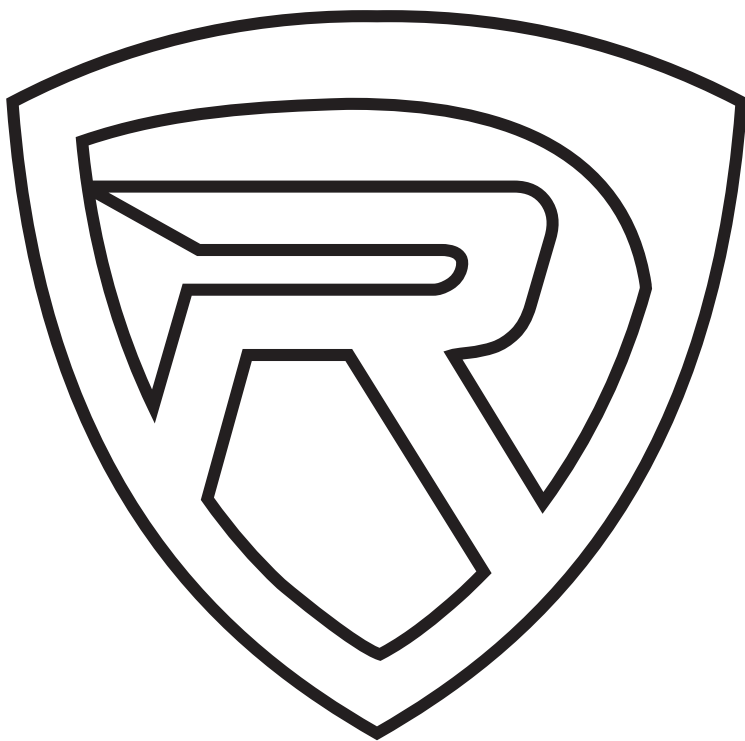
This device complies with Part 15 of the FCC rules. Operation is subject to the following two conditions: (1) this device may not cause harmful interference, and (2) this device must accept any interference received, including interference that may cause undesired operation.

Note: This equipment has been tested and found to comply with the limits for a Class B digital device, pursuant to Part 15 of the FCC rules. These limits are designed to provide reasonable protection against harmful interference in a residential installation. This equipment generates, uses and can radiate radio frequency energy and, if not installed and used in accordance with the instructions, may cause harmful interference to radio communications. However, there is no guarantee that interference will not occur in a particular installation. If this equipment does cause harmful interference to radio or television reception, which can be determined by turning the equipment off and on, the user is encouraged to try to correct the interference by one or more of the following measures:

- Reorient or relocate the receiving antenna.
- Increase the separation between the equipment and receiver.
- Connect the equipment to an outlet on a circuit different from that to which the receiver is connected.
- Consult the dealer or an experienced radio/TV technician for help.

ROCKWELL

***ROCKVILLE***



**RockvilleAudio.com**