



ROCKVILLE



OWNER'S MANUAL

RVSS2 HEAVY-DUTY ADJUSTABLE PRO PA SPEAKER STANDS W/CARRYING CASE

Who reads manuals?

Instead, go to vimeo.com/489124843
or scan the QR code and watch a
short video, which shows you how to
set this item up and how to use it.





Thank you for purchasing this Rockville RVSS2 Speaker/Lighting Stand. Please read this installation guide carefully for proper use of your Rockville RVSS2. Should you need assistance, please call our technical help line at 1-646-758-0144, Monday through Friday, 9am to 5pm EST.

An accident or injury can result if the stand is incorrectly assembled or unspecified parts are used. After assembly, keep this manual where it can be consulted when necessary.

Using this product safely and properly

The indicator symbols shown below are used in this manual and on the stand to ensure proper and safe use of the product, to prevent injuries and avoid damage to surrounding items. Please become familiar with these symbols and their associated information before proceeding to the assembly instructions of this manual.

	WARNING	This symbol indicates that death or serious injury may result from improper installation if this information is overlooked.
	CAUTION	This symbol indicates that injury may result or damage to property could occur from improper installation if this information is overlooked.



WARNING

**Do not place this stand on a tall object or high shelf. If the stand were to fall, it could cause an injury.
DO NOT EXCEED INDICATED MAXIMUM WEIGHT CAPACITY.**



CAUTION

- This stand is meant for use with speakers **ONLY**. Do not use the stand for other purposes. Improper use of the stand may result in an unstable condition with the potential to cause an injury by falling.
- Assemble the stand on a level surface. Placing the stand on an uneven surface can lead to overturning and result in an injury.
- Do not place the stand where people regularly move past it. Bumping into the stand can cause an injury.
- Do not drop or drag the stand when assembling or transporting it. Pushing over or dragging the stand can result in an injury or cause damage to the floor.
- Do not climb onto or hang from the stand. Be especially careful about children trying to do this. If the stand falls over it can cause an injury.
- This stand is heavy, so be sure 2 or more people cooperate in unpacking or moving it. Improper lifting can cause a back injury and dropping the stand can injure feet.

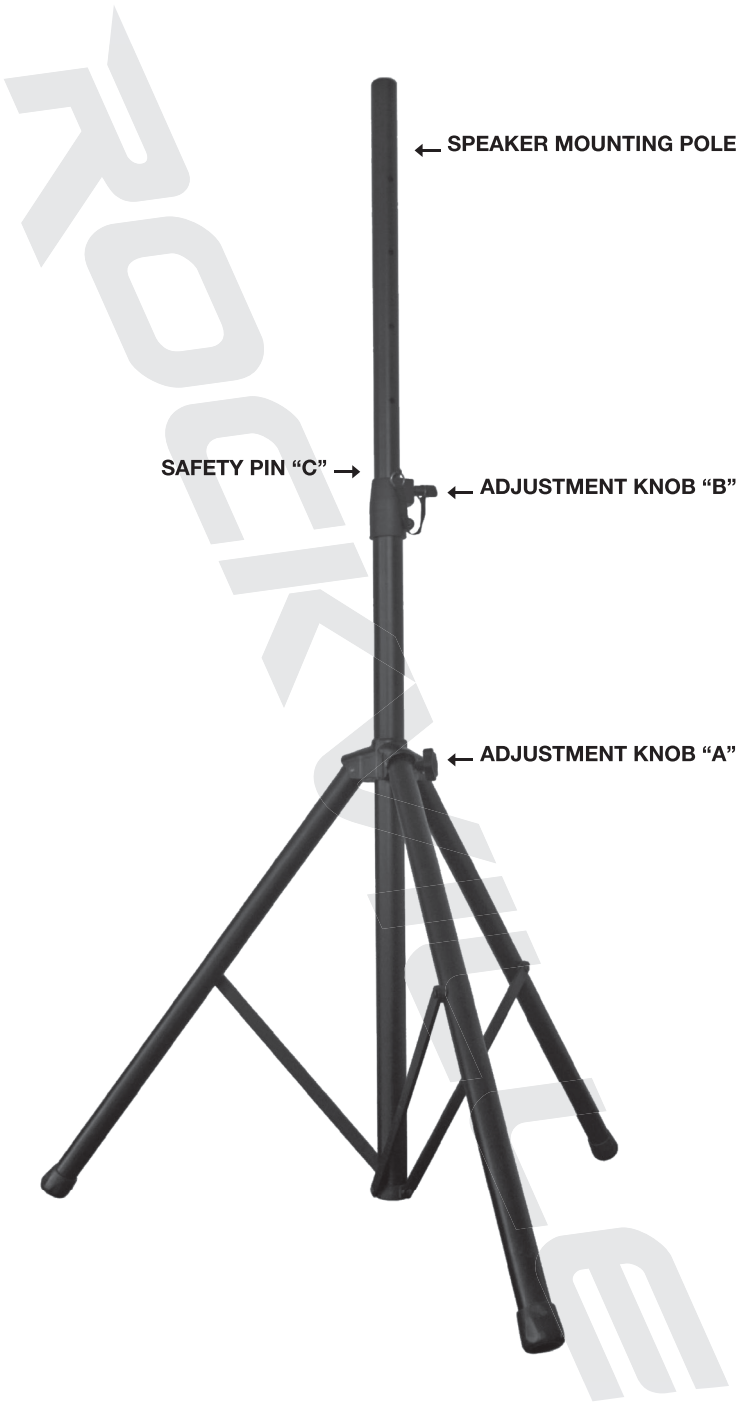
Cautions for Use:

- (1) This is a stand for a speaker system. Avoid using the stand for other purposes.
- (2) The stand is very heavy. Use caution when handling it.
- (3) Place the stand on a solid and level floor. Do not place the stand in an unstable location.
- (4) Be careful not to tip over the stand.
- (5) If the stand becomes dirty, clean it by lightly wiping with a soft cloth and a neutral cleaning solution. Do not use a substance like thinner or benzene.

These heavy duty universal stands can be used as speaker stands or lighting stands! Their sturdy steel construction and reinforced custom carrying case add to the quality and support these stands give. The sturdy and expandable long tripod legs ensure your speakers will be stable in any environment.



WEIGHT CAPACITY: 132 lbs
ADJUSTABLE HEIGHT RANGE: 47 – 79 inches
BASE SPREAD: 15 – 40 inches
TOP TUBE DIAMETER: 1.37 inches
LOWER TUBE DIAMETER: 1.5 inches
LEG DIAMETER: 1.37 inches
CONSTRUCTION: Steel
COLOR: Black



← SPEAKER MOUNTING POLE

SAFETY PIN "C" →

← ADJUSTMENT KNOB "B"

← ADJUSTMENT KNOB "A"

To ensure proper use of this product, please carefully read the following instructions.

Setting up your Rockville speaker stand:

1. Unpack the stand and all accessories.
2. Loosen adjustment knob A and spread the legs to the desired width (we recommend spreading the legs to the point that the support bars are parallel with the floor).
3. Re-tighten leg adjustment knob so that the legs are securely positioned.

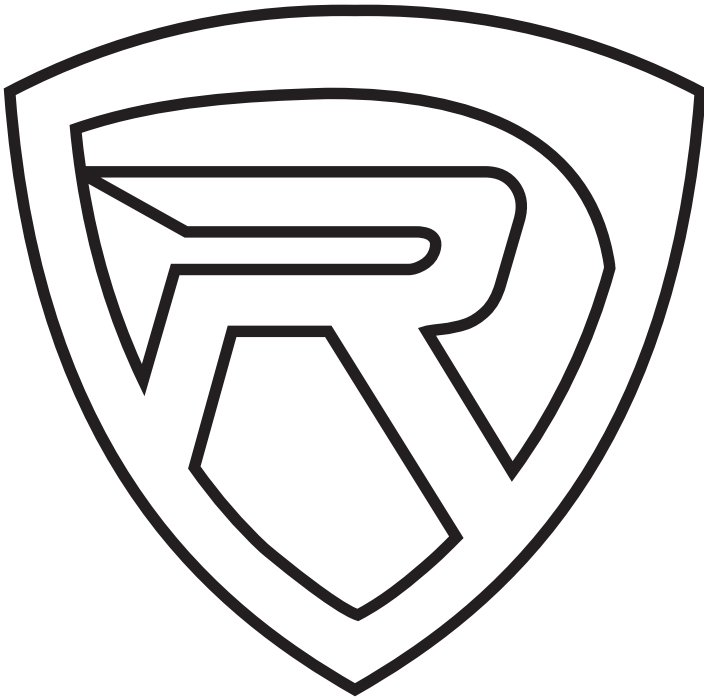
To mount a speaker:

1. Loosen the adjustment knob (see Adjustment Knob “B”, facing diagram) and lower the mounting pole until the desired height has been reached.
2. Carefully place speaker onto the mounting pole.
3. Make sure the silver safety pin (see Safety Pin “C”, facing diagram) is removed from the mounting pole and raise the pole to the desired height.
4. Tighten adjustment knob “B” at the base of the speaker mounting pole.
5. Insert safety pin “C” into its slot to secure desired speaker height.

To remove a speaker:

1. Remove safety pin “C”.
2. Loosen adjustment knob “B”.
3. Lower the pole to its lowest position.
4. Re-tighten adjustment knob “B”.
5. Carefully remove the speaker from the mounting pole.

ROCKVILLE



RockvilleAudio.com