

ROCKVILLE

RVSM1

ADJUSTABLE NEAR-FIELD
STUDIO MONITOR STANDS

OWNER'S MANUAL

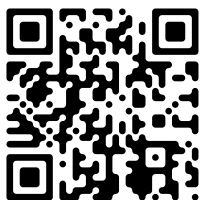
ATTENTION:
WATCH THIS VIDEO BEFORE FIRST USE!

Who reads manuals?

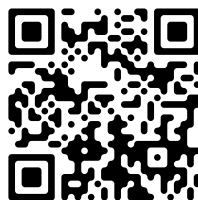
Scan the **QR codes** or visit the **URLs** to access how-to video(s), the owner's manual, and other important information you may need to get the most out of your item.

If you prefer written instructions, please read ahead!

With Rockville you get many options.



rockvillesupport.com/rvsm1



rockvillesupport.com/rvsm1-white

Missing items? If you ordered a bundle that includes more than one product and you are missing part of your bundle then it just means your order shipped from two different warehouses. You will receive the remaining items very soon. If you have any concerns or inquiries, feel free to call our customer support center at 1-646-758-0144, 24 hours a day/7 days a week.

ROCKWELL

Thank you for purchasing these RVSM1 Adjustable Near-Field Studio Monitor Stands. Please read these instructions carefully before use. Make sure all parts are included. If any parts are missing please contact our technical help line at 1-646-758-0144, 24 hours a day/7 days a a week.

This heavy duty monitor stand is designed with home and project recording studios in mind. The height is adjustable for listening while sitting or standing, and locks in place with a security pin. Three rubber pads on the bottom of the base keep this stand stable on any surface. The entire stand breaks down into four pieces for easy storage and travel.

An accident or injury can result if the stand is incorrectly assembled or unspecified parts are used. After assembly, keep this manual where it can be consulted when necessary.

Using this product safely and properly

The indicator symbols shown below are used in this manual and on the stand to ensure proper and safe use of the product, to prevent injuries and avoid damage to surrounding items. Please become familiar with these symbols and their associated information before proceeding to the assembly instructions of this manual.



WARNING

This symbol indicates that death or serious injury may result from improper installation if this information is overlooked.



CAUTION

This symbol indicates that injury may result or damage to property could occur from improper installation if this information is overlooked.



WARNING

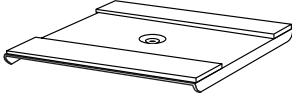
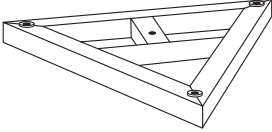
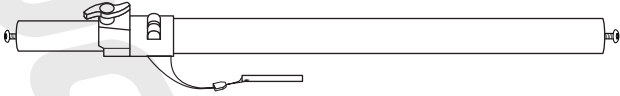








**Do not place this stand on a tall object or high shelf. If the stand were to fall, it could cause an injury.
DO NOT EXCEED INDICATED MAXIMUM WEIGHT CAPACITY.**



CAUTION

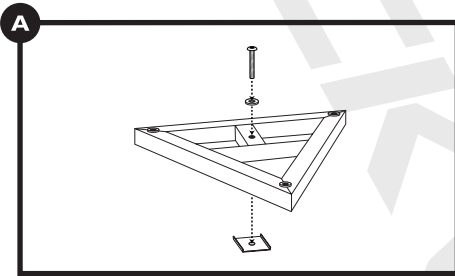
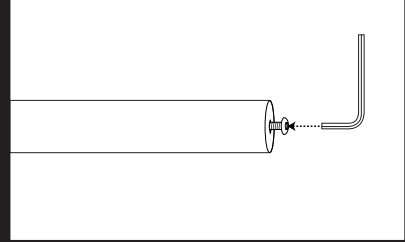
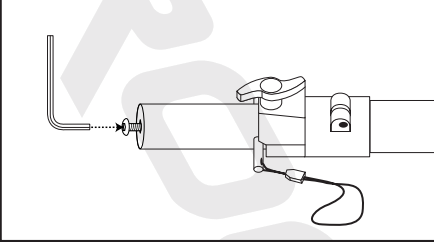
- This stand is meant for use with speakers ONLY. Do not use the stand for other purposes. Improper use of the stand may result in an unstable condition with the potential to cause an injury by falling.
- Assemble the stand on a level surface. Placing the stand on an uneven surface can lead to overturning and result in an injury.
- Do not place the stand where people regularly move past it. Bumping into the stand can cause an injury.
- Do not drop or drag the stand when assembling or transporting it. Pushing over or dragging the stand can result in an injury or cause damage to the floor.
- Do not climb onto or hang from the stand. Be especially careful about children trying to do this. If the stand falls over it can cause an injury.
- This stand is heavy, so be sure 2 or more people cooperate in unpacking or moving it. Improper lifting can cause a back injury and dropping the stand can injure feet.
- If the stand becomes dirty, clean it by lightly wiping with a soft cloth and a neutral cleaning solution. Do not use a substance like thinner or benzene.

PARTS LIST:

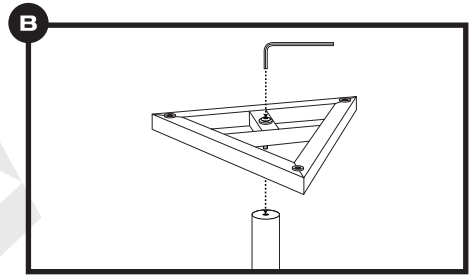
platform		2 pcs
baseplate		2 pcs
telescoping shaft (long and short screws attached to either end)		2 pcs
shaft mounting plate		2 pcs
metal spike		6 pcs
metal disk		6 pcs
nut		6 pcs
rubber foot		6 pcs
washer		4 pcs
cable clip		4 pcs
Allen key		1 pcs

ASSEMBLY INSTRUCTIONS:

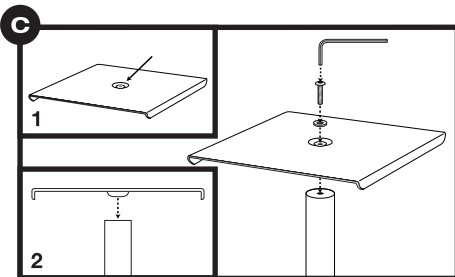
! ATTENTION: THE LONG SCREW FROM STEPS A AND B, AS WELL AS THE SHORT SCREW FROM STEP C, ARE SCREWED INTO EITHER END OF THE TELESCOPING SHAFTS. BE SURE TO REMOVE THEM BEFORE COMMENCING ASSEMBLY.



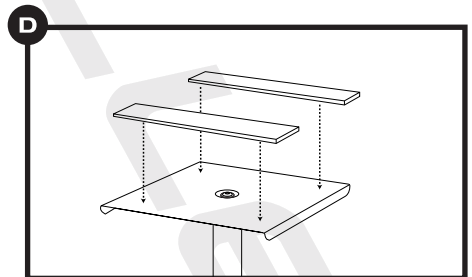
Turn the triangular base so that the insertion points for the rubber feet/steel spikes are facing up. Insert a long screw (removed from the telescoping shaft) and washer through the opening on the base and the opening in the shaft mounting plate. Push the plate against the base so that it fits snugly.



Turn the telescoping shaft 180 degrees and align the end of the bolt (that was placed through the base plate and mounting plate) with the screw hole on the shaft. Use the included Allen key to tighten the screw. Do not overtighten.

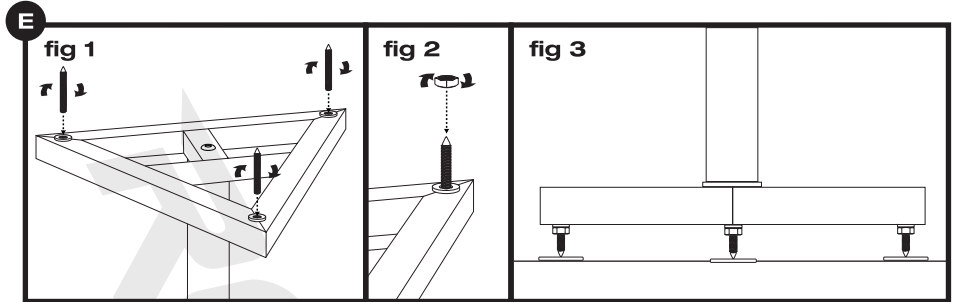


Now turn the stand assembly 180° so that the triangular base is on the ground. Turn the platform so that the indentation is facing up (inset 1). Align the platform so that the extrusion on the bottom of the plate sits in the opening of the shaft (inset 2). Insert a short screw and washer through the opening. Use the Allen key to tighten the screw. Do not overtighten.

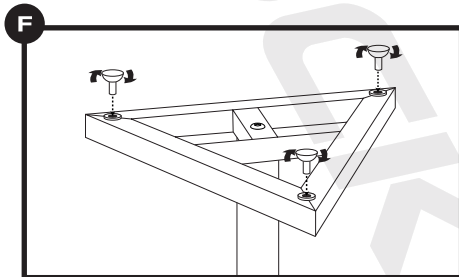


Apply the non-slip pads to the surface of the platform by removing the covering on the adhesive and carefully placing it onto the surface. Firmly smooth it out.

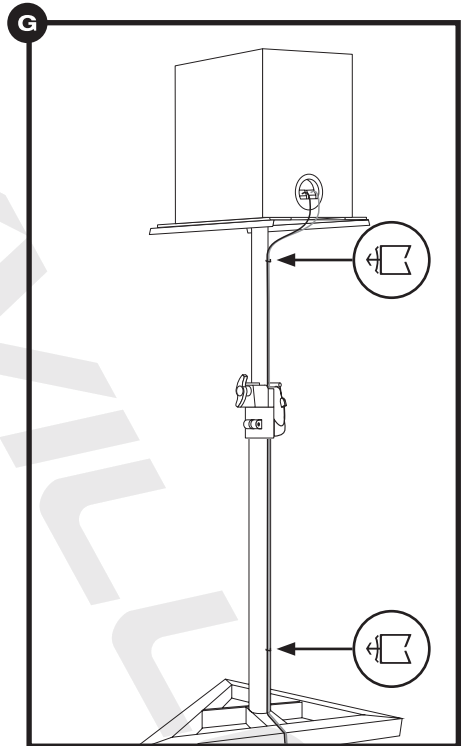
ASSEMBLY INSTRUCTIONS (continued):



To place the stand on a carpeted floor, use the metal isolation spikes. Attach the spikes to the bottom of the base plate (fig 1). If needed, adjust the spike height to keep the stand level. Use the nut to secure the spike in the desired position (fig 2). Place a metal disk underneath each spike to protect the surface on which the stand is placed (fig 3).

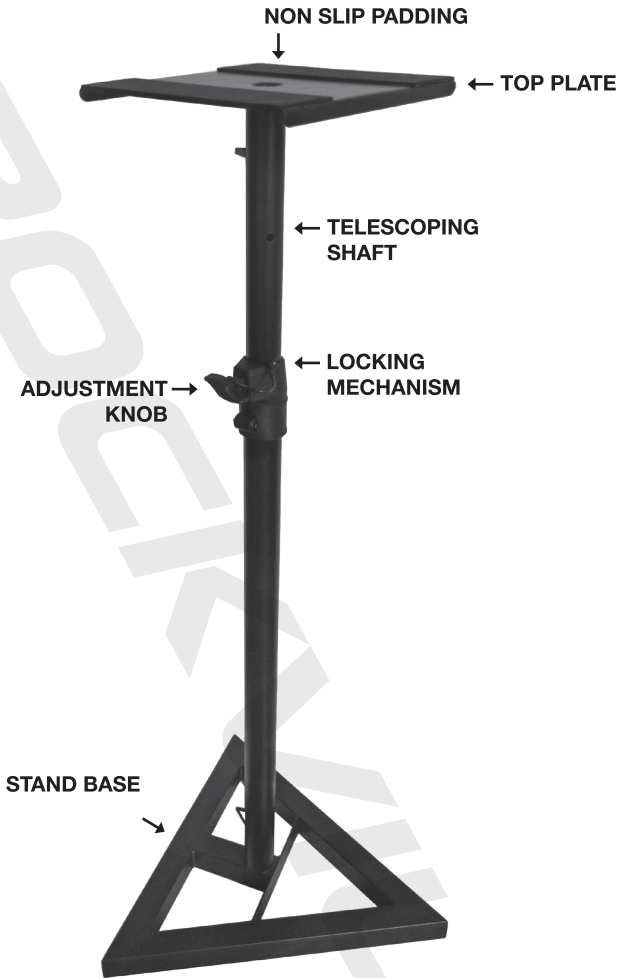


If you are placing the stand on a wood, laminate, tile, or bare floor you should use the included rubber feet. To install, simply screw them into the holes at the bottom of the base plate.



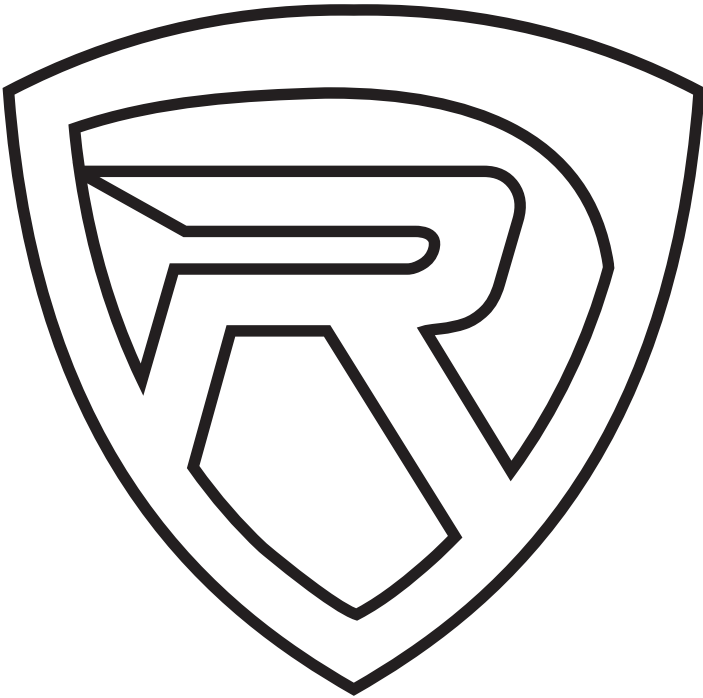
Finally, connect the cable clips to the small holes found on the rear of the stand. There is one just underneath the speaker platform and one near the base. Once they are in place, guide the speaker wires through the top clip, then along the telescoping shaft to the bottom clip. This will help keep the speaker cables tidy and out of the way.

Repeat steps A through G to assemble the second stand.



WEIGHT CAPACITY: 80 lbs
ADJUSTABLE HEIGHT RANGE: 33 – 45 inches
BASE: 17.7 x 17.7 x 17.7 inches
TOP PLATE: 7.87 x 7.87 inches
TOP TUBE DIAMETER: 1.37 inches
LOWER TUBE DIAMETER: 1.5 inches
CONSTRUCTION: Steel
COLOR: Black

ROCKVILLE



RockvilleAudio.com