

ROCKVILLE

RV69.2C 6 x 9" 2-Way Component Kit Wiring Diagram

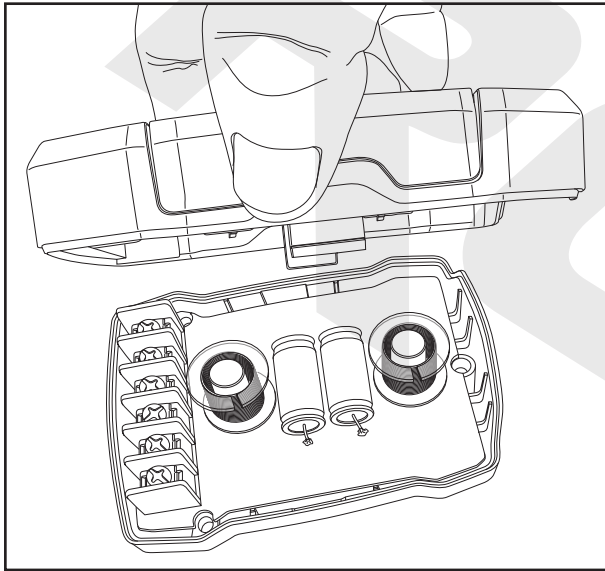
Thank you for purchasing this Rockville SKU. Please read this owner's manual carefully for proper use of your Rockville RV69.2C 6 x 9 2-Way Component Kit. Should you need assistance, please call our technical help line at 1-646-758-0144, 24 hours a day/7 days a week. Scan the QR codes or go to the URLs to access how-to video(s), the owner's manual, and other important information you may need to get the most out of your item.



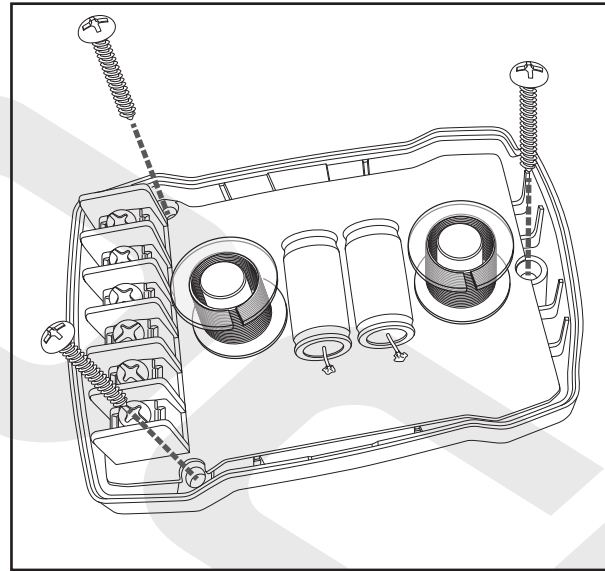
rockvillesupport.com/rv69-2c rockvillesupport.com/rv69-2c-o



INSTALLING CROSSOVER

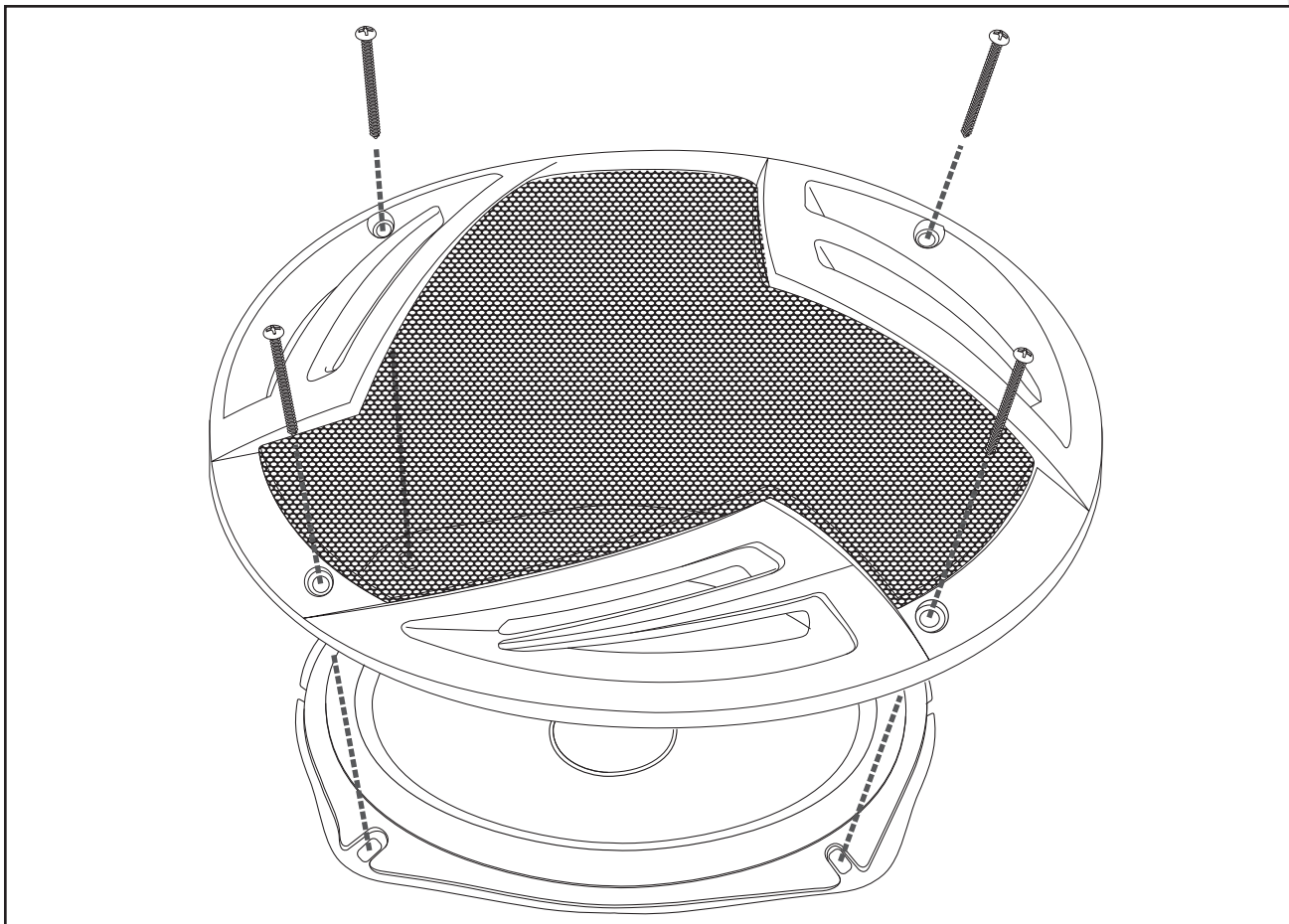


Remove the crossover's cover by pressing on either side of the cover and pulling up gently.



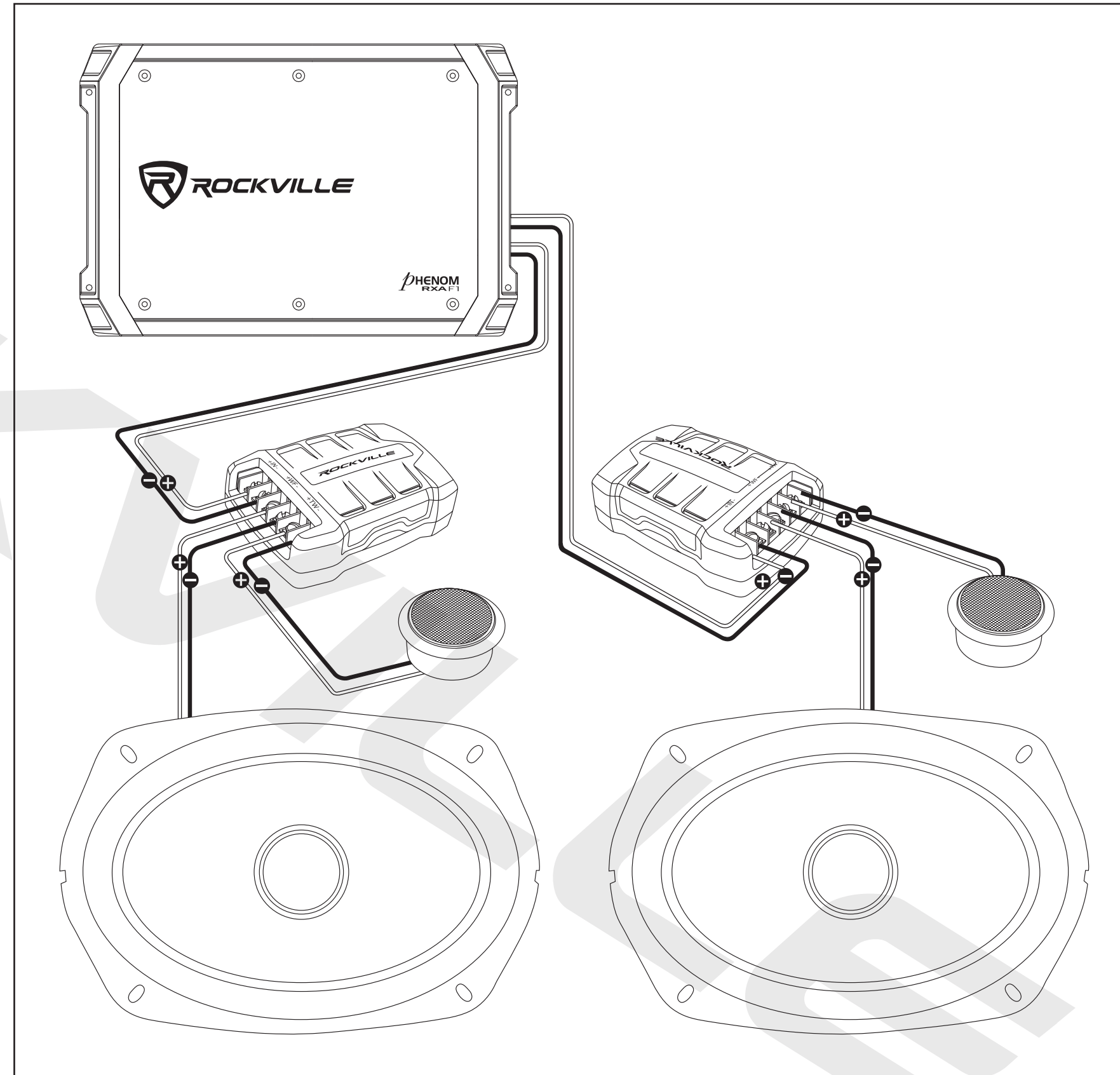
Use the included long screws to install the crossover as indicated in the illustration.

INSTALLING SPEAKER



To install the speaker, slide the long screws through the holes in the grill and through the corresponding holes in the speaker.

WIRING THE SYSTEM



Can be wired from the head unit or the amplifier.