

ROCKVILLE

RS37 Assembly Instructions

Thank you for purchasing these Rock Stand Series Speaker Stands. Please read these instructions carefully before use. Make sure all parts are included. If any parts are missing please contact our technical help line at 1-646-758-0144, 24 hours a day/7 days a week. Scan the QR codes or go to URLs to access how-to video(s), the owner's manual, and other important information you may need to get the most out of your item.



rockvillesupport.com/rs37w-v2



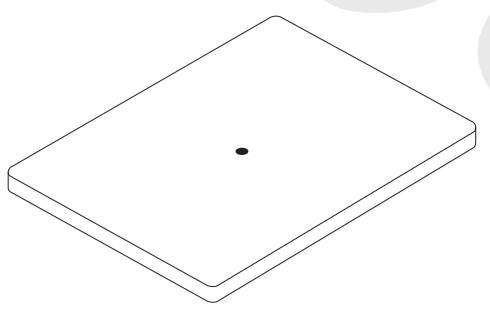
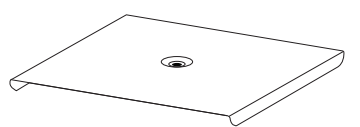

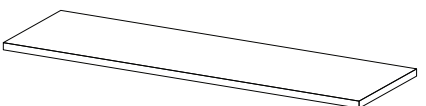
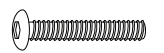
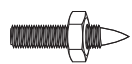

rockvillesupport.com/rs37b-v2

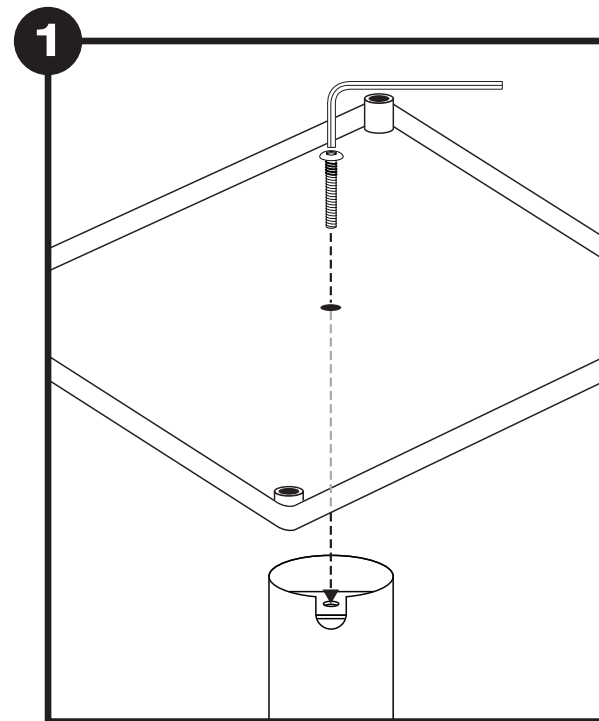
Specifications

- Stand Height: 37"
- Top Plate Size: 9" x 8.7"
- Base plate size: 11.8" x 9.8"
- Load Weight Capacity: 60 lbs.
- Stand Weight: 11 lbs. each
- Color: Available in Black or White
- Stand Dimensions: 11.8" x 9.8" x 37"

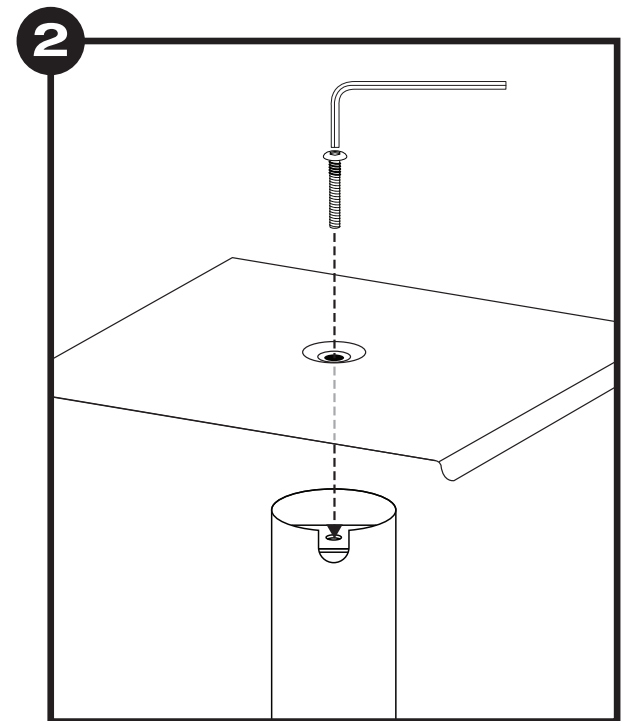
Tools needed:

- 5mm Allen wrench (included)

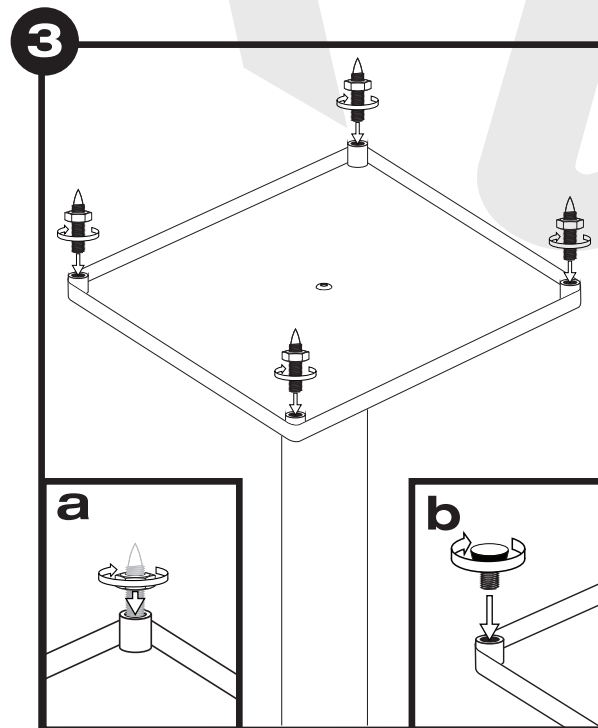
base plate		2 pcs.
top plate		2 pcs.
stand body		2 pcs.
EVA isolation pads		4 pcs.
socket head screws (pre-screwed into either end of the stand bodies)		4 pcs.
brass isolation spikes		8 pcs.
rubber feet		8 pcs.



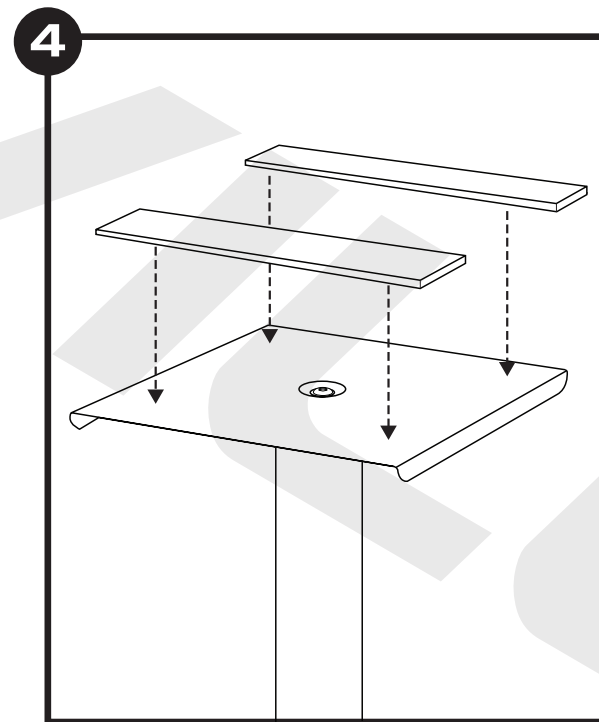
1 First, remove the socket head screws from the ends of the stand body. Turn the base plate upside down and align the hole in the center of the base plate with one of the holes on either end of the stand body. Insert a screw and use the Allen key to tighten it. Do not overtighten.



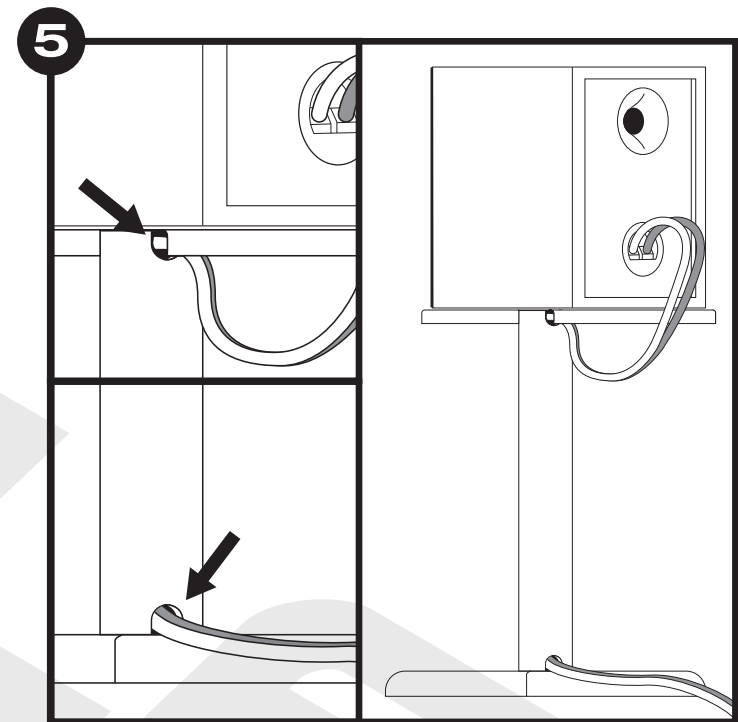
2 Turn the partially assembled stand over and set it down. With the indentation facing down, align the plate so that the indentation sits in the opening of the stand body. Insert the other screw and use the Allen key to tighten it. Do not overtighten.



3 To place the stand on a carpeted floor, use the brass isolation spikes. Screw the spikes to the corresponding openings at each corner of the bottom of the base plate. Adjust the height as needed to keep the stand level. Use the nut to secure the spike's position (inset a). For wood, laminate, tile, or bare floor, use the included rubber feet (inset b).



4 Peel back the cover on the adhesive side of the EVA sound isolation pads. Carefully place one on each side of the top plate and firmly smooth them out.



5 The final step is to feed the speaker cable into the u-shaped opening on the top of the stand body where it meets the top plate (see top inset) and bring it back out through the u-shaped opening at the bottom where it meets the base plate (see bottom inset).