

ROCKVILLE

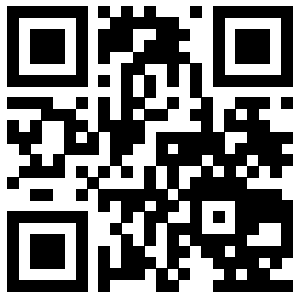
RPSV12

12.2" SUN VISOR TFT/LCD COLOR MONITOR

OWNER'S MANUAL

ATTENTION:

VISIT THE ROCKVILLE SUPPORT SITE BEFORE FIRST USE!



Who reads manuals?

Scan the **QR code** or go to rockvillesupport.com/RPSV12 to access the owner's manual, informational videos, and other important information you may need to get the most out of your item.

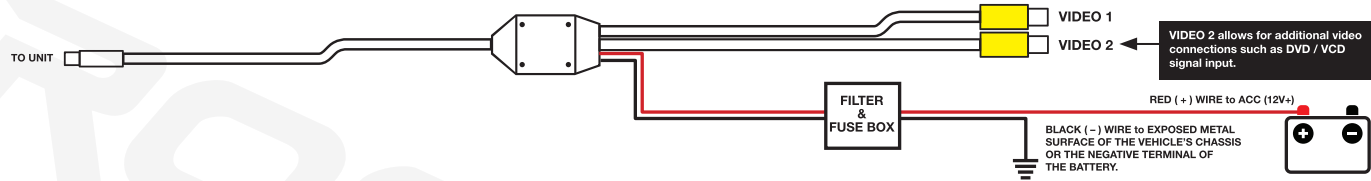
If you prefer written instructions, please read ahead!

With Rockville you get many options.

Missing items? If you ordered a bundle that includes more than one product and you are missing part of your bundle, then it just means your order shipped from two different warehouses. You will receive the remaining items very soon. If you have any concerns or inquiries, feel free to call our customer support center at 1-646-758-0144, Monday through Thursday, 9am to 10pm EST, and Fridays, 9am to 3pm EST.

Thank you for purchasing this Rockville RPSV12 Sun Visor Color Monitor. Please read this owner's manual carefully for proper use of your RPSV12. Should you need technical assistance, please call our help line at 1-646-758-0144, Monday through Thursday, 9am to 10pm EST, and Fridays, 9am to 3pm EST.

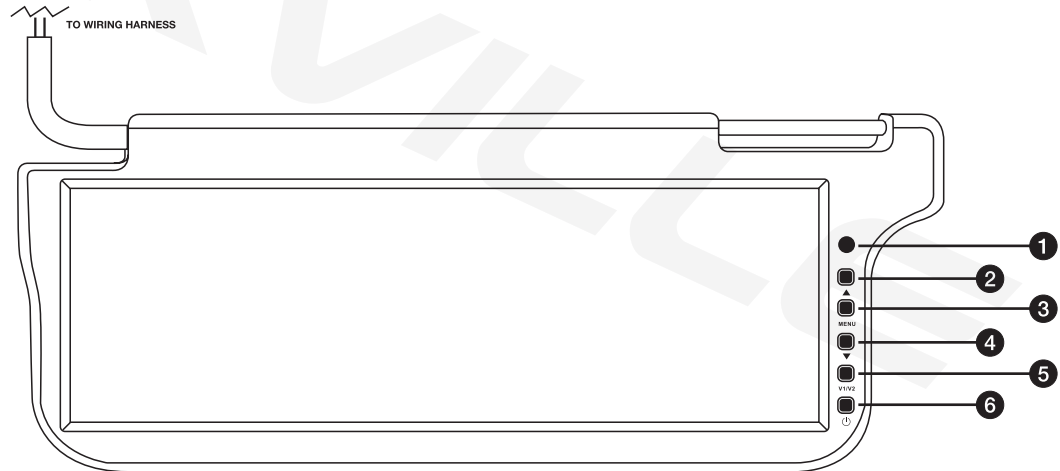
WIRING DIAGRAM



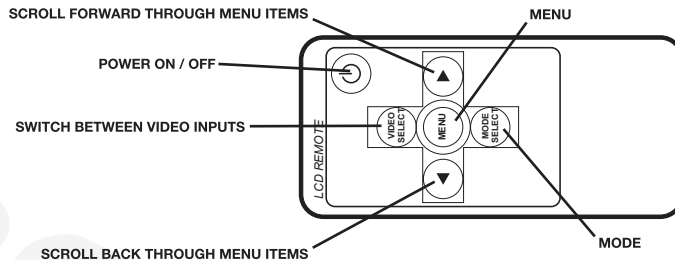
! Make sure the power and ground wires are connected properly. The red wire goes to the red +12V terminal of the car battery and the black wire goes to the black negative (-) terminal of the battery or any bare metal part of the car chassis. NEVER connect the wires in the wrong position. This can cause the unit to fail due to reverse polarity.

FUNCTIONS

1. Remote IR Sensor
2. Scroll up Through Menu
3. Menu
4. Scroll Down Through Menu
5. Switch Between Video Inputs
6. Power ON/OFF

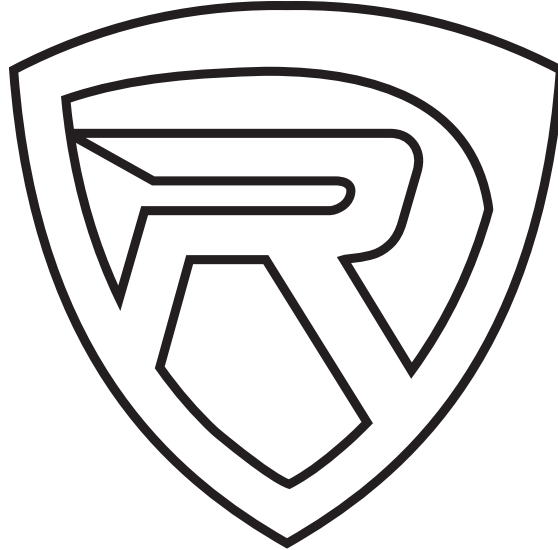


MULTI-FUNCTION REMOTE



SPECS/FEATURES

- 12.2" Sunvisor TFT LCD Color Monitor
- Great for Cars, Trucks, Vans, SUVs, and Other Vehicles
- Available in Black, Grey, and Beige
- Ergonomic Design for Sleek Looking Installation
- Video System: Color PAL 94.43 Mhz / NTSC 93.58Mhz
- Display Method: TFT Active Matrix System
- Power Supply: DC 12V/8W
- 2 x Video Inputs (V1, V2)
- Multi-Function Remote Control
- Front Panel Controls
- Video Signal Auto Detect
- Screen Display: 25:8 (Full Screen), 16:9 (L, R), 4:3 (L, R)
- Resolution: 1280 x 480 RGB
- Brightness: 350 Nits



ROCKVILLE

RockvilleAudio.com

© 2021 ROCKVILLE // Features and specifications are subject to change and or improvement without notice.