

# ROCKVILLE



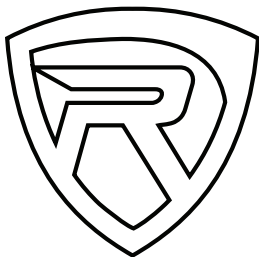
OWNER'S  
MANUAL

**RPB1**  
PORTABLE WATERPROOF  
BLUETOOTH SPEAKER

Thank you for purchasing this Rockville RPB1 Portable Waterproof Bluetooth Speaker.

With Bluetooth 4.0 built in the RPB1 is compatible with all iOS devices, all Android devices, PCs, and other devices capable of streaming audio. Additionally the RPB1 can connect via NFC (Near Field Communication) to any Android device or iPhone 6 and above. This ultra light-weight mini portable speaker is designed to deliver a superior audio experience. With its compact rugged design, the RPB1 meets the International Protection Rating IP67 standard meaning that it is completely dust proof and waterproof in up to 3 feet of water. It easily connects to any streaming device allowing you to enjoy your music on the go. With proper care and use this unit will provide you with the highest levels of sound quality. We hope that the RPB1 will bring you years of performance and reliability.

Please read this guide carefully for proper use of your Rockville RPB1 Portable Waterproof Bluetooth Speaker Should you need technical assistance please call our technical help line at 1-646-758-0144, Monday through Friday, 9am to 5pm EST.



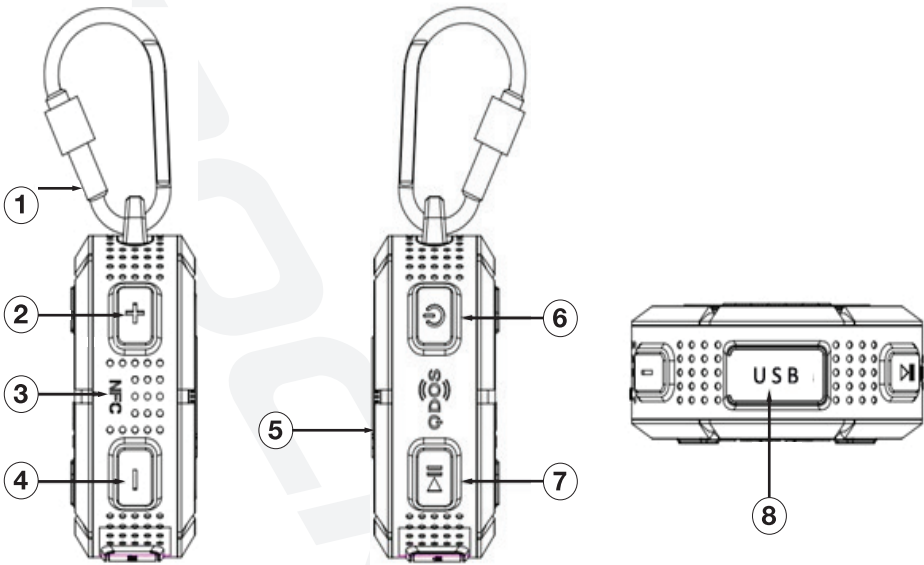
**ROCKVILLE**

## ***Features and Specifications***

---

- Rockville RPB1 waterproof portable Bluetooth speaker with 10 watts power!
- IP67 Waterproof
- Completely submersible in water
- Battery charges with included USB cable
- 800 mAH battery supports 10 hours of playback! This battery lasts longer than almost any other on the market!
- Charge time: 1–2 Hours
- Extremely loud and powerful in a handheld compact size
- Material: 100% ROHS Silicone & ABS - This enclosure design delivers top of the line sound quality
- Perfect for running, camping, hiking, pool, beach, shower, bedroom, iPad, Laptop, kitchen and many other applications
- Includes Aluminum hook to latch it onto anything from your shirt, to a dog leash, a pocket book, etc
- Bluetooth version. 4.0 with EDR (Enhanced Data Rate)
- A2DP audio streaming
- Automatically remembers and syncs with previously synced devices
- Playback Controls - Play, Pause, Skip Forward, Skip Back, Volume Up, Volume Down
- Will control next song, pause, play on popular apps like Pandora, Spotify, and others
- Can control next song, pause, and play from the Bluetooth speaker
- Circular design fits in the palm of your hand or in your pocket
- Rugged and Shockproof!
- Rubberized impact-resistant rubber feet for great sound when placing speaker on any hard surface
- Compatible with any Bluetooth devices such as iPad, iPhone, Laptops, A droid phone, other cell phones, iPods, other Bluetooth MP3 Players
- Distortion: Less than 1%
- Natural sound with enhanced bass response
- Built in advanced speaker design with horn speaker unit for increased output power

## Features and Specifications



### **Features**

1. Carabiner for fixing to backpack, belt, etc.
2. Volume + / Next song. Press for 5 Seconds to increase volume. Press for second to select next track.
3. NFC Antenna. Bring any NFC enabled device close to the antenna. The RPB1 will connect automatically.
4. Volume - / Previous track. Press for 5 Seconds to decrease volume. Press for 1 second to select previous track.
5. LED indicator. Blue Flashing LED indicates Bluetooth pairing in progress. Solid blue LED indicates music playback. Red LED indicates charging and will automatically shut off once unit is fully charged.
6. Power On / Off switch. Press for 3 seconds to power on or off. Unit will automatically shut off after 5 minutes if no devices are paired.
7. Play/ Pause button.
8. Micro USB charging port with waterproof dust cover.

### **General Specifications**

- Peak Power: 10 Watts
- Communication: NFC, Bluetooth 4.0
- Interface: Micro USB
- Protection Rating: IP67, Dust and Waterproof to 3ft

## ***Features and Specifications***

---

- Dimensions: 3.35" x 3.43" x 1.34"
- Weight: 130gms

### **Speaker Specifications**

- RMS Power: 3 Watts
- Impedance: 4 Ohms
- Frequency Response: 150Hz to 18KHz
- THD: ≤10%
- S/N Ratio: ≥75dB

### **Bluetooth Specifications**

- Operating Range: 33ft
- Operating Frequency: 2.4GHz - 2.48GHz
- Receiving Sensitivity: -91dBm @ 0.1% BER
- Peak Power Output: Class 2 (4dBm)

### **Battery Specifications**

- Type: Built-in Lithium-ion polymer battery
- Capacity: 500mAh, 3.7V
- Charging Standard: DC 5V, 300mA
- Playback Time: Up to 10 hours
- Charging Time: 1 - 2 hours
- Auto Off: Device will shut off after 5 minutes to help conserve battery life

### ***Power ON/OFF***

---

- To turn on your RPB1 push and hold the power on button (see page 4, item 6) for 3 seconds. You will hear a sound and the blue LED will flash. At this point the speaker is ready for use.
- To run off the unit, press and hold the power button for 3 seconds. You will hear a sound and the blue LED will turn off.

**NOTE:** To help preserve battery life, this unit features an Auto Off function which will automatically power down the unit when it has not been in use for 5 minutes.

## ***Bluetooth Playback***

---

- Turn on the Bluetooth feature on your device (i Phone, i Pad, i Pod touch, Android device, computer, tablet, smart phone, or MP3 player) and ensure that it is in “discoverable” mode.
- Power on the RPB1.
- Search for the name “Rockville” in your device’s list of available devices. Select to initiate pairing.
- Once paired, music can be controlled via the speaker unit (see page 4, items 2 and 4). You can Play/Pause, adjust volume, and move forward/backward through tracks.

## ***NFC Playback***

---

- Search your NFC enabled mobile device for available connections. If applicable select or turn on the option to “allow data exchange when close to other devices”.
- Power on the RPB1.
- Once connected you will hear voice prompt confirming that the connection has been successful.
- Music can be controlled via the speaker unit (see page 4, items 2 and 4). You can Play/Pause, adjust volume, and move forward/backward through tracks.

**NOTE:** If you are unable to connect to your device or do not see it in the list of available devices, you may need to delete some items from the list.

**NOTE:** When making and receiving calls, music will pause until call has ended.

## ***Charging***

---

The RPB1 will emit warning beeps when the battery is low. To recharge the unit please follow the procedure below.

- Turn off the unit.
- Using the included USB cable, connect one end to the Micro USB port on the unit (page 4, item 8) and the other to a computer USB port or any other USB charging device whose output is DC5V/ 0.5A - 2A.
- The LED will turn red to indicate that the unit is charging. Once fully charged (approximately 2 hours) the LED will turn off.

**NOTE:** Once the battery is completely drained, there will be no beep and the LED will turn off.

## **Precautions**

---

- Always check unit for damage before use.
- Use only the charging cable provided.
- Do not block any openings on the speaker cabinet or the grill.
- Do not attempt to open, disassemble, or modify the unit. Doing so will void any warranty.
- Store the unit in a cool dry place.
- Do not submerge the unit in water deeper than 3 feet for extended periods of time. It is NOT intended for use as an underwater speaker.
- Be sure to shake off any water on the surface and thoroughly dry the unit after exposure to water.
- If the unit begins to over-heat or you notice any unusual smells, distortions, or any other defects immediately stop using the unit and call our technical help line at 1-646-758-0144, Monday through Friday, 9am to 5pm EST.

---

## **FEDERAL COMMUNICATIONS COMMISSION COMPLIANCE INFORMATION**

Responsible party name: Rockville

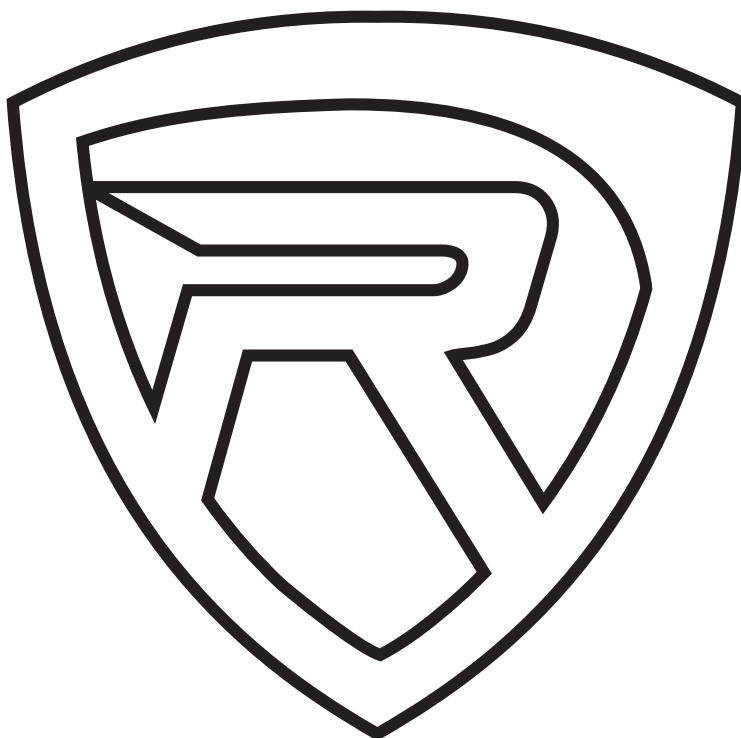
Address: 600 Bayview Ave.  
Entrance A  
Inwood, NY 11096

Hereby declares that the product RPB1 Compact Waterproof Bluetooth Speaker complies with FCC rules as mentioned in the following paragraph:

This device complies with Part 15 of the FCC rules. Operation is subject to the following two conditions: (1) this device may not cause harmful interference, and (2) this device must accept any interference received, including interference that may cause undesired operation. Note: This equipment has been tested and found to comply with the limits for a Class B digital device, pursuant to Part 15 of the FCC rules. These limits are designed to provide reasonable protection against harmful interference in a residential installation. This equipment generates, uses and can radiate radio frequency energy and, if not installed and used in accordance with the instructions, may cause harmful interference to radio communications. However, there is no guarantee that interference will not occur in a particular installation. If this equipment does cause harmful interference to radio or television reception, which can be determined by turning the equipment off and on, the user is encouraged to try to correct the interference by one or more of the following measures:

- Reorient or relocate the receiving antenna.
- Increase the separation between the equipment and receiver.
- Connect the equipment into an outlet on a circuit different from that to which the receiver is connected.
- Consult the dealer or an experienced radio/TV technician for help.

***ROCKVILLE***



**RockvilleAudio.com**

© 2017 ROCKVILLE // Features and specifications are subject to change and or improvement without notice.