

ROCKVILLE

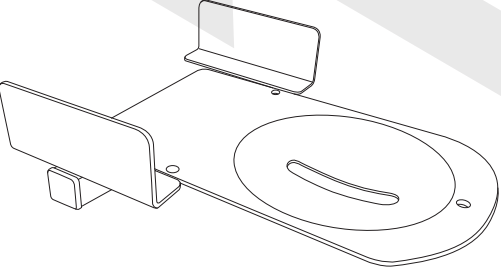
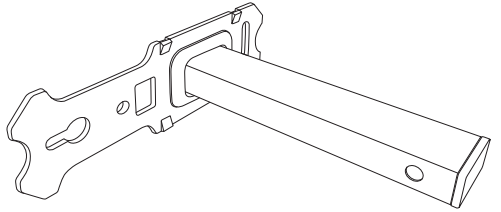
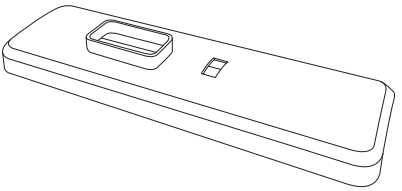
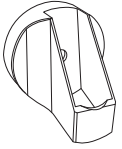


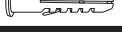



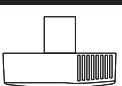
RHSB8

ASSEMBLY INSTRUCTIONS

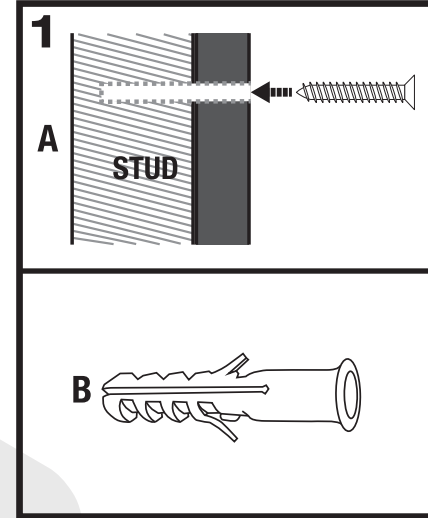


Scan the QR code or go to rockvillesupport.com/rhsb8 to access how-to video(s), the owner's manual, and other important information you may need to get the most out of your item.

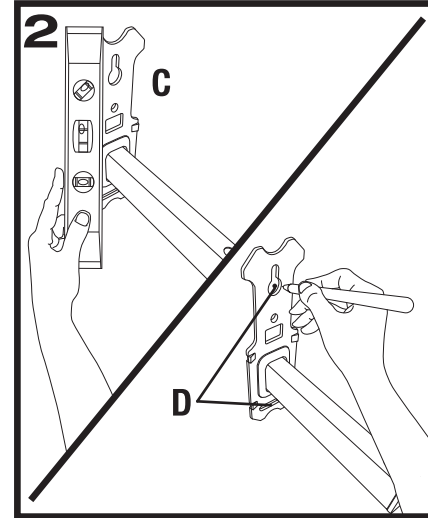
Thank you for purchasing the RHSB8 Wall Mount Swivel Home Theater Speaker Brackets. Please read these instructions carefully before use. Make sure all parts are included. If any parts are missing or you need assistance, please contact our technical help line at 1-646-758-0144, 24 hours a day/7 days a week.

speaker platform		2 pcs
mounting bracket		2 pcs
bracket cover		2 pcs
speaker platform support		2 pcs
carriage bolt		4 pcs
locking bolt		2 pcs
anchor		4 pcs
large washer		2 pcs
small washer		4 pcs
adhesive foam pads		4 pcs
locking knob		2 pcs

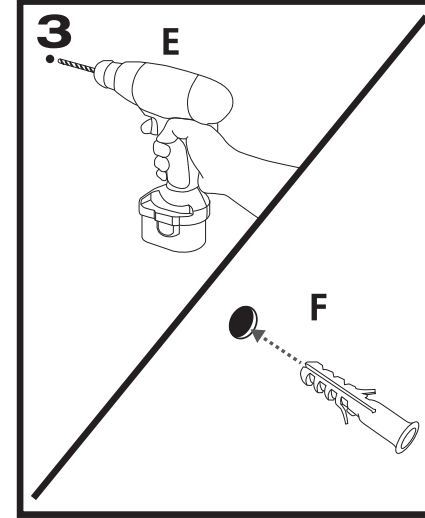
Bracket Mounting Instructions:



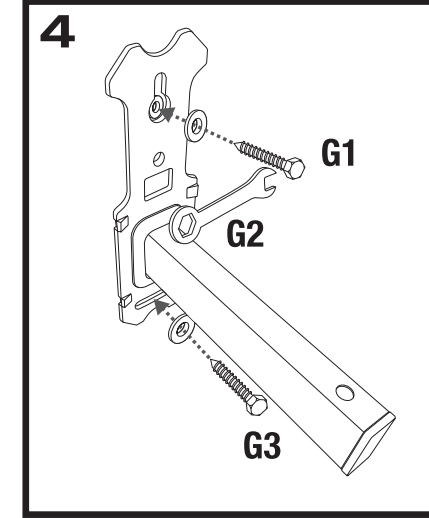
Determine an area to mount the bracket. We recommend mounting it to a wood stud (A). If you must mount it on drywall, use the included wall anchors (B). Be sure that they are properly installed.



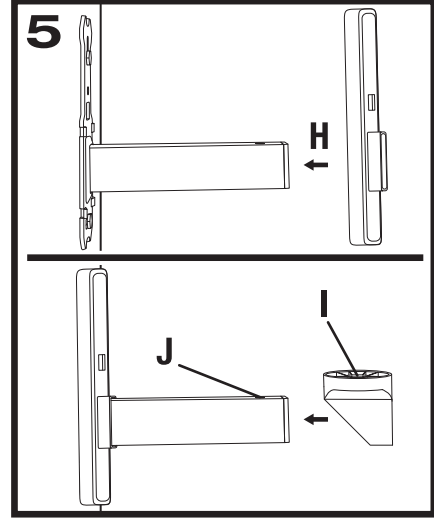
Press the plate of the bracket up against the wall so that it's flush. Make sure it's level using a torpedo or small level (C). Place a mark at the top and bottom openings where your anchor holes will be (D). If you are drilling into a stud, the anchors are not necessary.



Using a drill and a 11/32" bit, make a hole where you made your first mark (E). Repeat for your second mark. We recommend realigning the holes with the bracket and releveling it, to make sure everything is aligned. If you are using the anchors, make sure the holes are deep enough to accommodate them. Insert the anchors (F) and tap in with a hammer if needed.

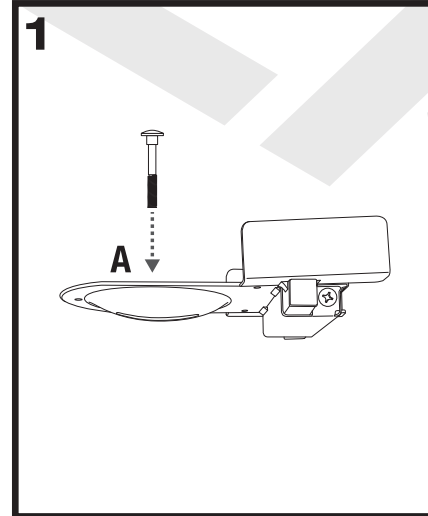


Place the wall bracket into position over the holes and insert the top carriage bolt with the small washer (G1). Tighten the carriage bolt with a wrench (G2) or use a drill with a 13/32" socket bit. Insert the second screw (G3). Use a level to ensure that the bracket is properly aligned. Now tighten the carriage bolt. Keep the level next to the bracket to ensure that it stays aligned.

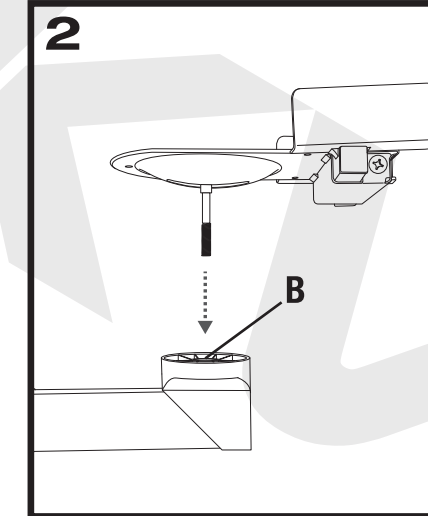


Slide the bracket cover onto the bracket arm and push back onto the base until it clicks into place (H). Now slide speaker platform support onto the end of the mounting bracket arm as shown. Align the hole in the speaker platform support (I) with the hole in the mounting bracket arm (J).

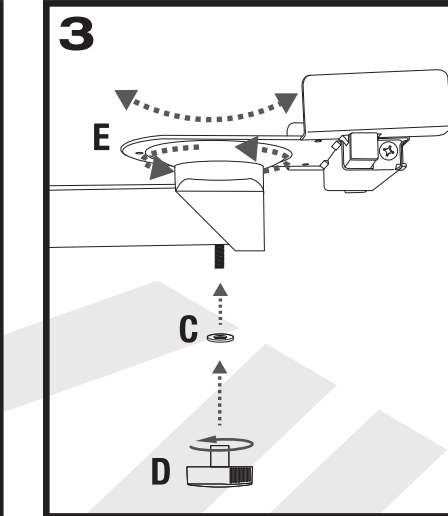
Speaker Platform Assembly Instructions:



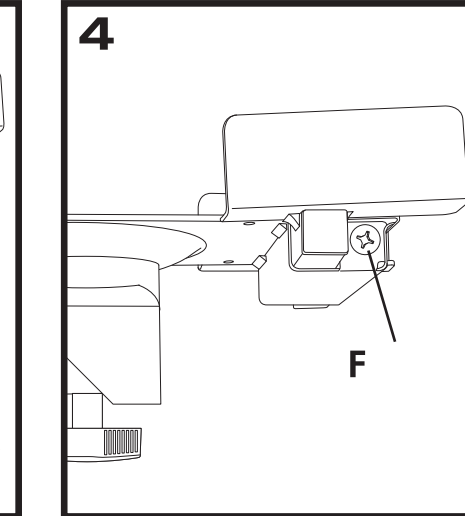
Slide a locking bolt through the opening at the top of the speaker platform (A).



Align the bolt with the hole in the speaker platform support (B) and slide it through. The convex bottom of the speaker platform should rest snugly on the support piece.

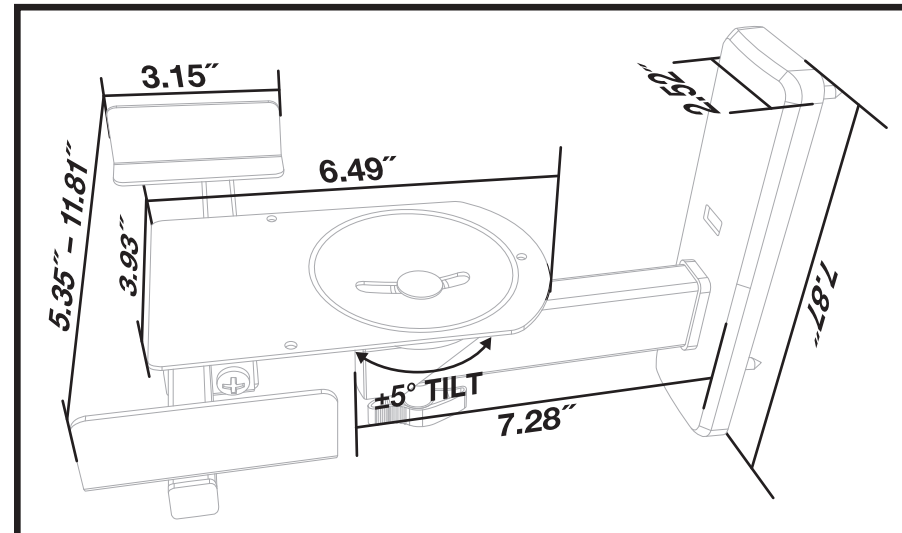


Once the bolt is all the way through, slide on a large washer (C). Screw the locking knob onto the protruding part of the locking bolt (D). Do not tighten completely. Adjust the angle and direction of the speaker platform by tilting it or turning it to the desired position (E). Once it is properly adjusted, you may fully tighten the locking knob.

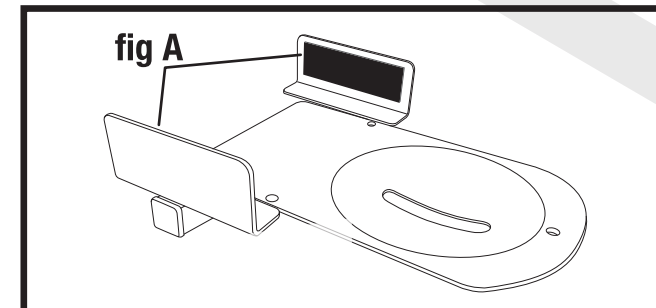


To extend the side supports, use the screws located underneath the them (F). There is one on either side. Use a Phillips head screw driver to turn the screw counter-clockwise to extend and clockwise to retract.

Dimensions



Foam Pad Placement Instructions:



Apply one of the 4 included foam pads to the inside of the side supports of each speaker platform as shown in figure A.