

ROCKVILLE

RGHR51

5 ZONE SINGLE DIN MARINE RECEIVER w/BLUETOOTH,
RADIO, and WIRED REMOTE

OWNER'S MANUAL

**ATTENTION:
WATCH THIS VIDEO BEFORE FIRST USE!**

Who reads manuals?

Scan the **QR code** or go to **rockvillesupport.com/
rghr51** to access how-to video(s), the owner's manual,
and other important information you may need to get
the most out of your item.

If you prefer written instructions, please read ahead!

With Rockville you get many options.



Missing items? If you ordered a bundle that includes more than one product and you are missing part of your bundle then it just means your order shipped from two different warehouses. You will receive the remaining items very soon. If you have any concerns or inquiries, feel free to call our customer support center at 1-646-758-0144, 24 hours a day/7 days a week.

Thank you for purchasing this Rockville RGHR51. Please read this manual carefully for proper use of your RGHR51. Should you need assistance, please call our technical help line at 1-646-758-0144, 24 hours a day/7 days a week.

IMPORTANT SAFETY INSTRUCTIONS

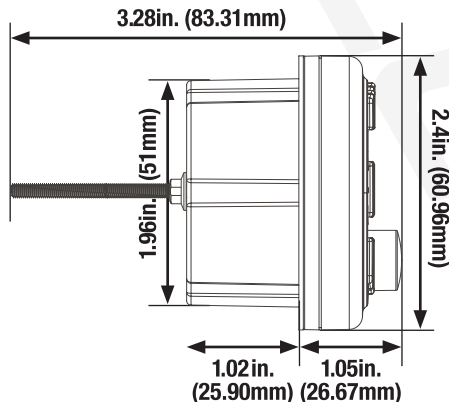


- To reduce risk of electric shock, never open the unit. There are no user-serviceable parts; refer service to the Rockville service center.

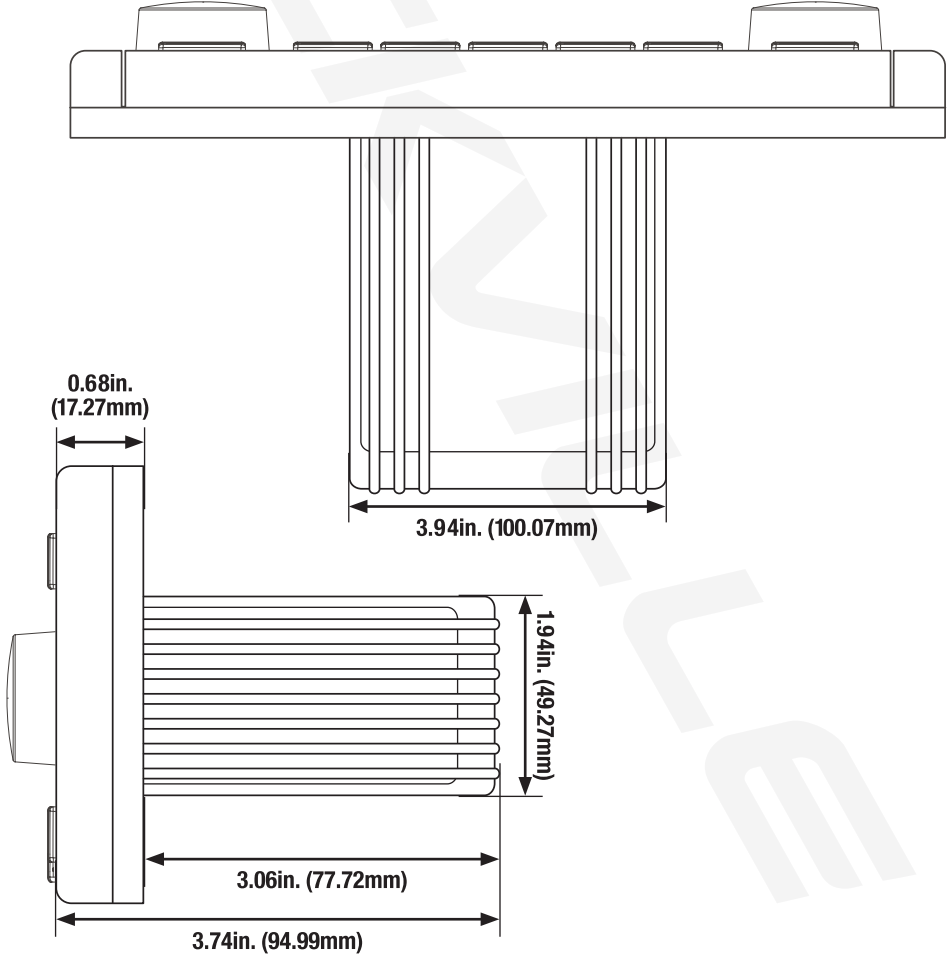
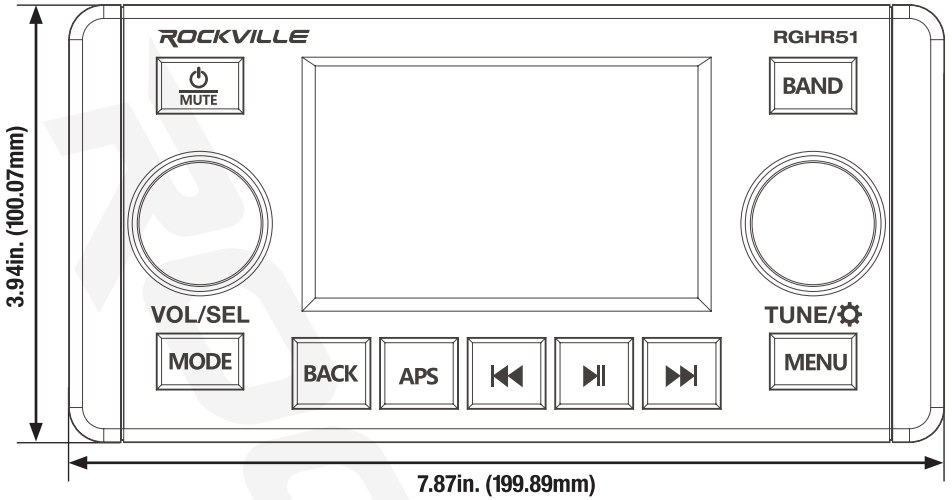
INCLUDED

- Marine digital media receiver
- Waterproof wiring harness
- Wired remote with zone controls
- 32.8ft Wired remote extension cable
- Wired remote mounting bracket
- 40" USB extension cable
- Cut-out template
- Mounting screws
- Owner's manual and warranty card

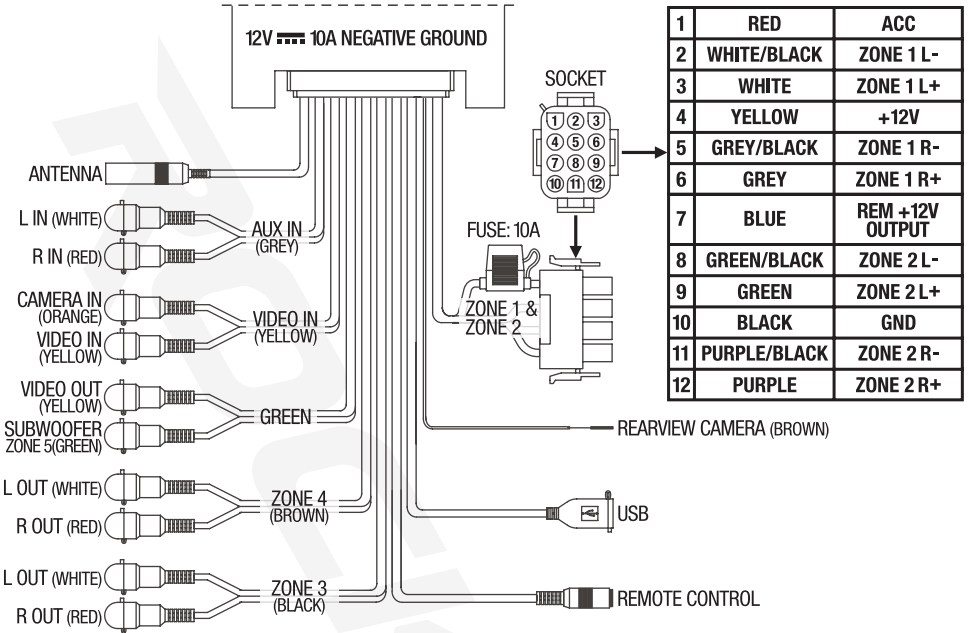
DIMENSIONS REMOTE



RECEIVER

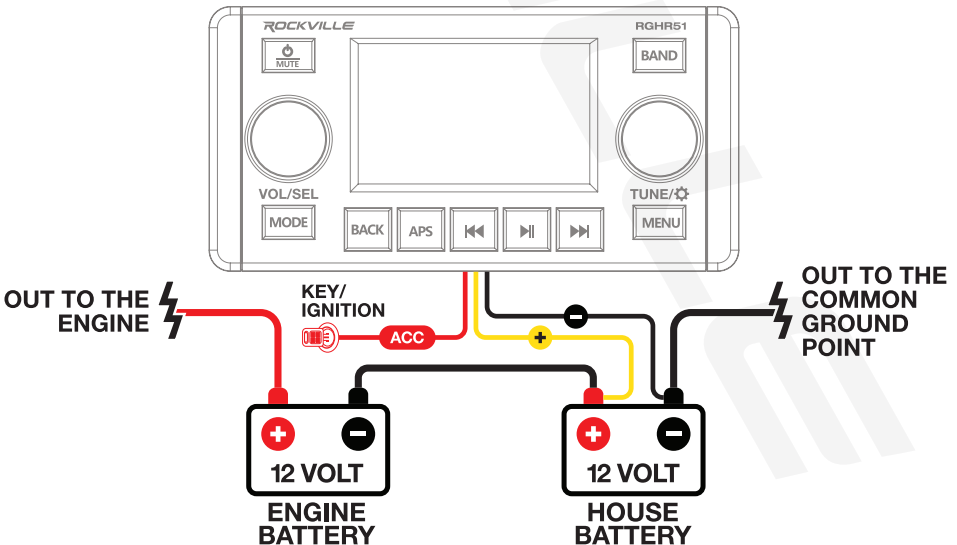


WIRING DIAGRAM



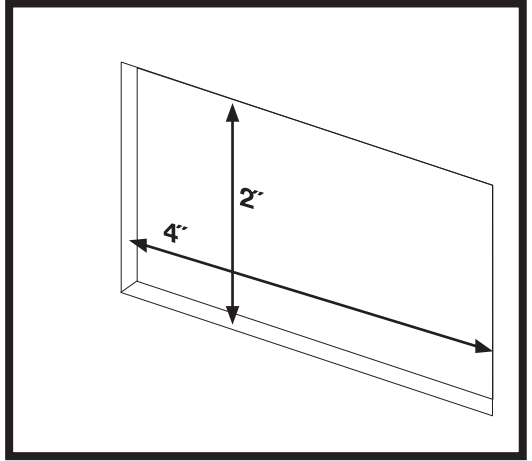
Please note:

Most boats run on two batteries, each 12 volts, combined in series to provide 24 volts of power. In the diagram below, the battery on the left is the ENGINE battery. Its positive lead goes to the engine, and its negative lead is tied to the positive lead of the HOUSE battery on the right. The HOUSE battery's negative terminal provides the common ground for the boat's electrical system. The RGHR51 runs on 12 volts. Hence, for trouble-free performance, connect the black ground wire and yellow power wire of the RGHR51 to the corresponding terminals on the HOUSE battery only. If the black ground wire does not reach the battery, it can be connected elsewhere, but it may cause intermittent issues. The safest bet is to connect the ground wire directly to the negative (black) terminal of the HOUSE battery. Connect the red ACC wire to the +12V ignition accessory switch.

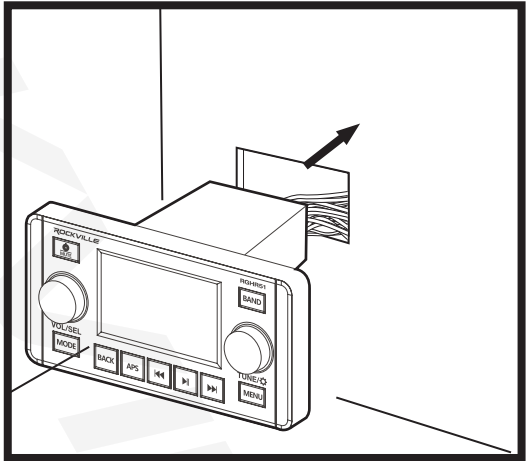


INSTALLATION RECEIVER

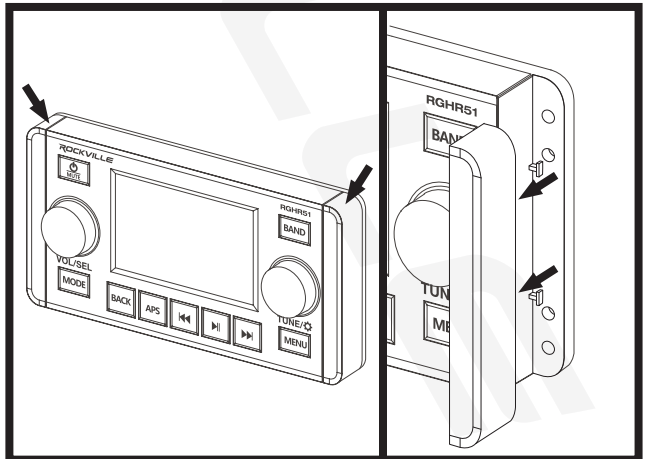
1. Cut out a 4" (W) x 2" (H) opening for the unit. Make sure there is at least 4 – 5 inches of depth so the unit can fit into the cutout.



2. Wire the unit as indicated in the wiring diagram on the facing page. Insert the RGHR51 into the hole until it sits firmly against the mounting surface.

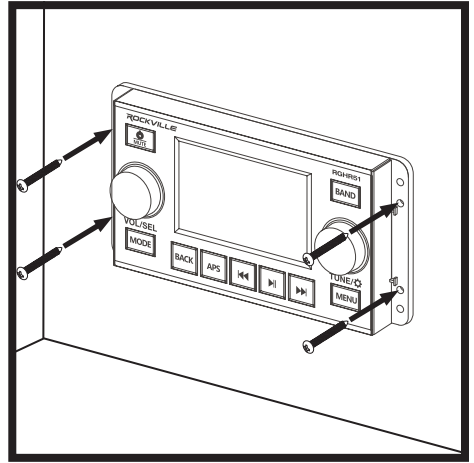


3. Using your fingers or a small flathead screwdriver, carefully remove the mounting hole covers (a) from the unit's face plate as shown in the illustration.



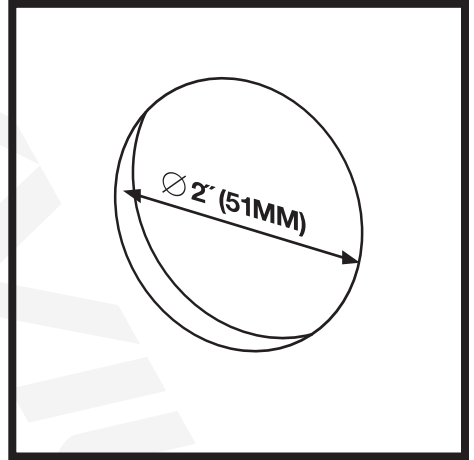
INSTALLATION RECEIVER (continued)

4. Use the four included screws to secure the unit to the mounting surface. Do not overtighten the screws. Once the screws are in place, reattach the mounting hole covers to the unit's faceplate.

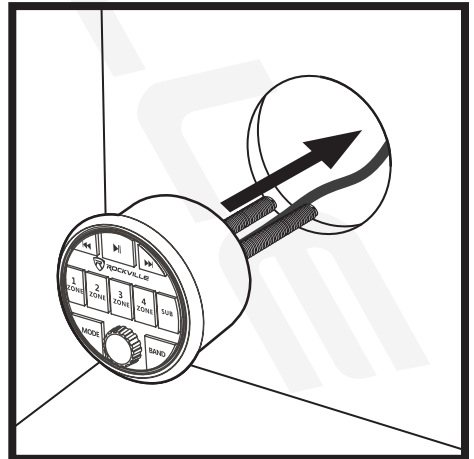


REMOTE CONTROL

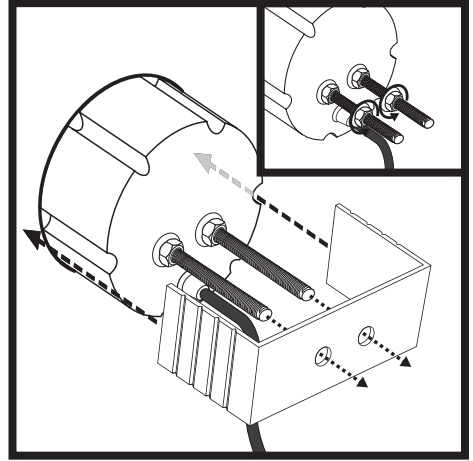
1. Cut out a 2" diameter hole for the unit. Make sure there is at least 3" of depth so the back of the remote control unit can fit into the cutout.



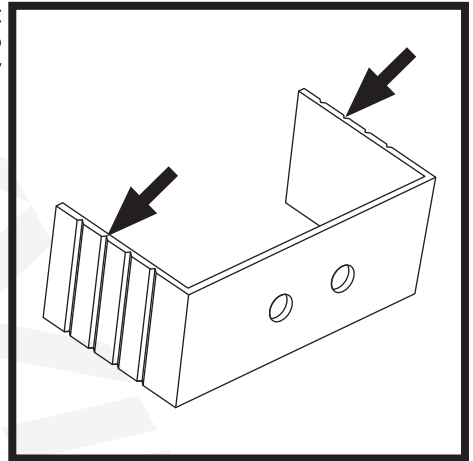
2. Feed the remote control cable into the hole and connect it to the included remote extension cable which should be connected to the remote control input on the RGHR51 receiver. Now slide the remote control unit into the hole until it sits firmly against the mounting surface.



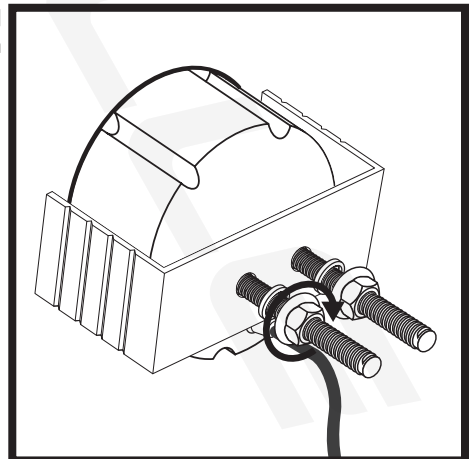
3. Remove the nuts (see inset) then slide the mounting bracket onto the unit as shown in the illustration. The bracket should sit firmly against the back of the remote and the arms should sit firmly against the mounting surface.



4. If the bracket arms are too long, adjust the length by using an appropriate tool to remove the necessary amount of breakaway segments.

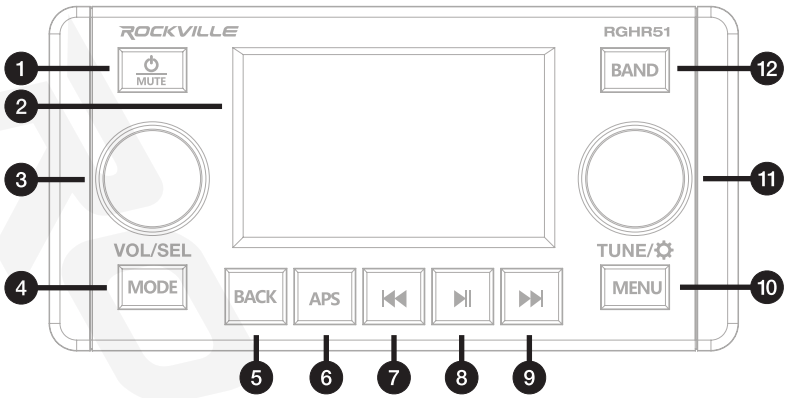


5. Fasten the bracket to the remote control unit using the washers and bolts as shown in the illustration. Do not overtighten the bolts.

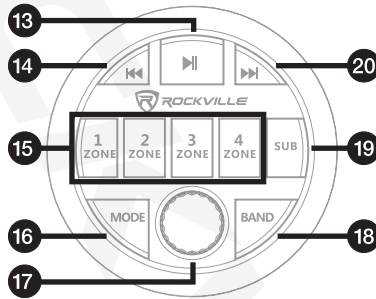


FUNCTIONS

RECEIVER



REMOTE



RECEIVER

- 1. POWER:** Press or press and hold to turn the unit on. Press the power button while the unit is on to mute audio playback. Press and hold for 2 seconds to turn the unit off.
- 2. LCD screen**
- 3. VOL -/VOL+/SELECT:** Turn counterclockwise to decrease the volume or clockwise to increase the volume. Press the knob to enter the global/zone volume settings. Keep pressing the knob to cycle through the global/zone options (GLOBAL, ZONE 1, ZONE 2, ZONE 3, ZONE 4, SUB-W). Turn the knob to adjust the selected option.
- 4. MODE:** Press to reach the desired mode setting (BT, USB, RADIO, AV/AUX).
- 5. BACK:** Press to return to the previous screen. In USB mode, press to browse folders and view/save presets in Radio mode.
- 6. APS:** Press and hold the APS button to automatically program AM/FM stations. Short press the APS button to auto seek stations.
- 7. ⏮ (PREVIOUS):** Press to select the previous track or radio station. Press and hold to rewind or fast-forward (USB mode only).
- 8. ⏸:** Press once to play current track; press again to pause.
- 9. ⏭ (NEXT):** Press to select the next track or radio station. Press and hold to rewind or fast-forward (USB mode only).
- 10. MENU:** Press to enter the general settings menu.
- 11. TUNE/⚙️:** Turn counterclockwise or clockwise to manually tune stations in Radio mode. Press the knob to enter the tone menu. Keep pressing the knob to cycle through the settings. Turn to adjust the selected setting or to cycle through the options.

12. **BAND:** Press repeatedly to switch between AM and FM bands.

REMOTE

13. **▶|| (PLAY/PAUSE)/MODE:** Press to start or pause playback.

14. **◀◀ (PREVIOUS):** Press to select the previous track or radio station. Press and hold to rewind (USB mode only).

15. **SPEAKER ZONES:** Press any one of these buttons to select the desired zone. Turn the VOL-/VOL+ button counterclockwise to decrease the volume or clockwise to increase the volume.

16. **MODE:** Press and hold to change modes (BT, USB, RADIO, AV/AUX).

17. **VOL-/VOL+:** Press or press and hold to turn the unit on. Turn counterclockwise to decrease the volume or clockwise to increase the master volume. Click the knob to mute/unmute the unit. Press and hold for 2 seconds to turn the unit off.

18. **BAND:** Press repeatedly to switch between AM and FM bands.

19. **SUB (ZONE 5):** Press to access the subwoofer volume settings. Turn the VOL-/VOL+ button counterclockwise to decrease the volume or clockwise to increase the volume.

20. **▶▶ (NEXT):** Press to select the next track or radio station. Press and hold to fast-forward (USB mode only).

BLUETOOTH

PAIRING:

1. Ensure your device is in Bluetooth mode and discoverable. Under list of available devices, search for and select RGHR51.
2. Once connected, the paired device's name will be displayed on the screen.

BLUETOOTH MUSIC:

1. Press the PLAY/PAUSE buttons to start and stop music playback.
2. Press the PREVIOUS/NEXT buttons to navigate through tracks.
3. Turn VOL-/VOL+ knob (on the unit or remote) to decrease or increase the volume.

USB

OPERATION:

1. While in USB mode, press the BACK button to bring up the USB media menu. Use the NEXT/PREVIOUS buttons or turn the VOL/SEL knob to cycle through the media options (music, video, photo). Press the PLAY/PAUSE button or press the VOL/SEL knob to select a folder. Within the folder, use the NEXT/PREVIOUS buttons or turn the VOL/SEL knob to cycle through the files. Press the PLAY/PAUSE button or press the VOL/SEL knob to select the desired file. Press the BACK button to return to the folder's root menu. Press again to exit the root menu and once again to return to the media menu.
2. Press the PLAY/PAUSE button to start and stop music playback.
3. Press the PREVIOUS/NEXT buttons to navigate through tracks. Press and hold the PREVIOUS/NEXT buttons to rewind or fast forward.
4. Turn VOL-/VOL+ knob (on the unit or remote) to decrease or increase the volume.

AUX/AV

L/R RCA INPUTS

Use these inputs to connect external audio input sources such as iPhones, iPads, iPods, MP3 players, Android phones and tablets, DVD or CD players, etc. Please note, some devices may require a male 3.5mm to Male RCA L/R adapter cable (not included).

RCA VIDEO INPUT

Use this input to connect an external video input source.

FUNCTIONS (CONTINUED)

RCA VIDEO OUTPUT

Use this output to send video input to an external display. Whatever is being displayed on the RGHR51 screen will be outputted.

ZONE 3 and ZONE 4 L/R RCA OUTPUTS

Use these outputs to send an audio signal to the ZONE 3 RCA outputs (black cable), the ZONE 4 RCA outputs (brown cable), or both. Refer to the Speaker Zones section below for more information.

SPEAKER ZONES

This marine receiver has 5 zones, each with independent volume control. There are 4 zones for full-range and a 5th zone for a subwoofer. Here is how it works: Zone 1 and 2 are the powerful built-in 4-channel amplifier to which you connect your main speakers. Zones 3 and 4 allow you to connect up to 4 additional channels (2 channels per zone) using one or more external amplifiers. Zone 5 allows you to connect a subwoofer. You can then control the volume for each of the zones from the unit as well as from the included wired remote.

AM/FM RADIO

SCAN (APS)

Press and hold the APS button to automatically program AM/FM stations. The unit will scan through all frequencies and save available stations to the presets. Short press the APS button to search for stations. The unit will scan through all frequencies and stop at each available station for a few seconds. When you reach a station you like, press the APS button again to stop searching.

MANUAL TUNING

Turn the TUNE knob navigate the stations incrementally.

PRESETS

To save manually tuned stations to the presets, navigate to the desired station using the TUNE knob. Press the BACK button to bring up the presets menu, then use the VOL/SEL knob to scroll to the preset you want to save the station to. Press and hold the VOL/SEL knob to save it. The desired station's frequency should show up in the selected preset slot.

SETTINGS

AUDIO SETTINGS:

1. Press the MENU button to access the SOURCES menu. Use the VOL/SEL knob or the PREVIOUS/NEXT buttons and navigate to the SETTINGS menu. Press the VOL/SEL knob to enter the menu, turn the knob to scroll to the AUDIO menu, then press it to enter the menu.
2. To adjust the settings, press the VOL/SEL knob to select the desired setting, turn the knob to make adjustments, then click the knob to exit that setting. The adjustable settings are: Bass, Treble, EQ, Beep, Loudness, and Subwoofer low pass filter.
3. To return to the SOURCES menu, Use the VOL/SEL knob scroll down until you are on the <MAIN MENU option. Now press the VOL/SEL button.

GENERAL SETTINGS:

1. Press the MENU button to access the SOURCES menu. Use the VOL/SEL knob or the PREVIOUS/NEXT buttons to navigate to the SETTINGS menu. Press the VOL/SEL knob to enter the menu, then turn the knob to scroll through the settings.
2. Press the VOL/SEL knob to select a setting and enter its settings menu. To make adjustments turn the VOL/SEL knob to select the desired option, click the knob to make your selection, then press the BACK button to return to the SETTINGS menu.

SUPPORTED FILE FORMATS

The following file formats are supported in USB input mode:

AUDIO

Format	Profile	Max Bit Rate	Max Sample Rate
MP3	All	320kbps	48000
WMA	Standard/Pro	384kbps	48000
OGG	Q1, Q10	500kbps	48000
FLAC	Level 0 – 8	1.60Mbps	48000
APE	n/a	950kbps	48000
AAC	n/a	448kbps	48000
AC3	AC3 only	640kbps	48000
ATRA	n/a	132kbps	44100
DTS	DTS only	3.84Mbps	48000

VIDEO

Video Format	Resolution	Video Decode
MKV	1280 x 720	MPEG4/XVID, DIVX4/DIVX5/MS MPEG4 V3, MPEG2, RV1/RV2/RVG2, RV3/RV4/RV8
	720 x 480	H264/AVC
	640 x 480	DIVX3
AVI	1280 x 720	MPEG4/XVID, DIVX4/DIVX5/MS MPEG4 V3, H263, MJPEG
	720 x 480	H264/AVC
	640 x 480	DIVX3
TS	1280 x 720	MPEG2
	720 x 480	H264/AVC
ASF	1280 x 720	MPEG4/XVID, DIVX4/DIVX5/MS MPEG4 V3, MPEG2, MPEG1, H263, MJPEG
	720 x 480	H264/AVC
	640 x 480	DIVX3
FLV	1280 x 720	H263
	720 x 480	H264/AVC
PMP	1280 x 720	MPEG4/XVID
	720 x 480	H264/AVC
RMVB	1280 x 720	RV1/RV2/RVG2, RV3/RV4/RV8/RV9
MPG/VOB	1280 x 720	MPEG2, MPEG1
WMV	1280 x 720	MPEG4/XVID
	720 x 480	DVIX4/DVIX5/MS MPEG4 V3, MPEG3

The video decoder does not support the following formats: WMV1, WMV2, WMV3, VC1, VP6, MS MPEG4 V1, and MS MPEG4 V2.

IMAGE

Photo Format	Max Resolution	Profile
JPEG	Unlimited	Baseline
BMP	2.5M Pixels	All
GIF	2.5M Pixels	89A/87A
PNG	2.5M Pixels	All

FEATURES

- Includes wired remote + 32.8 foot extension cable with the ability to control the volumes in each zone
- Easy to install with 4 screws that hide under the front plate
- 4" TFT backlit color display with brightness control
- Built-in Bluetooth/USB/AM/FM playback
- Built-in 72 x 4 Watt Peak high powered amplifier (28 x 4 RMS)
- Front, rear, and sub pre-amp outputs each with independent zone volume controls
- Adjustable Subwoofer low-pass crossover can be manually set to 80Hz, 120Hz, or 160Hz
- 5 zones each with volume control (zone 1+2 = built in amplifier, zones 3, 4, 5 are the RCA outputs)
- Built-in EQ with preset EQ curves (Pop, Classic, Rock, Jazz, Beat, Flat)
- Bass and Treble controls
- IP66 Waterproof Certification (Tested to withstand the elements)
- USB Input to play back audio, video, or image files store on a USB thumb drive or any other USB device
- RCA A/V input to play back a video source
- RCA Video output
- RCA Rear camera input
- RCA Aux Input
- AM/FM Radio Built In with 18 FM and 12 AM presets + US and European tuning
- Bluetooth built-in to stream audio from any Bluetooth enabled device
- USB input port charges your phone
- Mute button
- Loudness setting
- Big buttons make it easy to use without looking down
- Beep function that allows you to hear when you hit a button or change volume, etc. (can be turned off in the menu)
- Preset languages built-in (English, Spanish and French)
- Meets the ASTM B117 and ASTM D4329 standards
- USB is 500mA/5V, and supports 16GB max
- Humiseal coated PCB board for waterproofing and protection from the elements
- TDA7850 power amplifier built-in
- 15 amp fuse

DIMENSIONS

RECEIVER

- Cutout mounting diameter (W xH): 4" x 2.00"
- Top plate dimensions (W x H): 7.87" x 3.94"
- Mounting depth (not including top plate): 3.23"
- Overall depth (including the top plate): 3.74"

REMOTE

- Cutout mounting diameter: 2"
- Top plate diameter: 2.4"
- Mounting depth (including the screw arms; not including the top plate): 3"
- Overall depth (including the top plate and screw arms): 3.28"

Troubleshooting

PROBLEM	SOLUTION
No power	<ol style="list-style-type: none">1. Check power connections: Yellow wire goes to battery, red wire goes to ACC, black wire must be grounded securely. Make sure all three wires are connected, otherwise the unit will not receive power on.
Poor or no radio reception	<ol style="list-style-type: none">1. Make sure antenna cables are properly connected.
Bluetooth pairing fails	<ol style="list-style-type: none">1. Check to see that both devices are turned on and that your Bluetooth device is discoverable.2. Turn both devices off and then on again.3. Make sure you've selected the proper source.4. Make sure that the Bluetooth device is within 5 feet of the unit.5. Move both devices away from other Bluetooth devices and other electronics.6. Make sure that the unit is not paired to a previously paired device.
Files on USB memory device will not play back	<ol style="list-style-type: none">1. Make sure you've selected the proper source.2. Make sure that the audio files are properly formatted (see page 11).3. Make sure that the USB drive is properly plugged in.4. Check USB drive for damage.5. Make sure the USB drive's capacity does not exceed the 16GB limit.
No sound	<ol style="list-style-type: none">1. Check the unit's volume settings as well as those of any external sound source.2. Double check all connections and reattach if necessary.3. Check and adjust zone settings if necessary.

FEDERAL COMMUNICATIONS COMMISSION COMPLIANCE INFORMATION

Responsible party name: Rockville

Address: 600 Bayview Ave,
Entrance A,
Inwood, NY 11096

Hereby declares that the product Rockville RGHR51 Water-Resistant Gauge-Hole Digital Media Receiver complies with FCC rules as mentioned in the following paragraph:

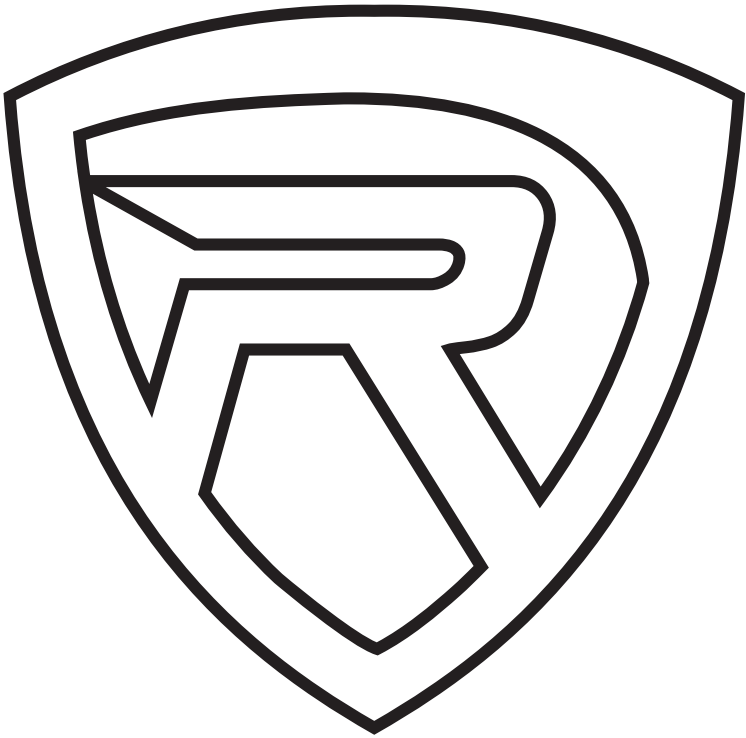
This device complies with Part 15 of the FCC rules. Operation is subject to the following two conditions: (1) this device may not cause harmful interference, and (2) this device must accept any interference received, including interference that may cause undesired operation.

Note: This equipment has been tested and found to comply with the limits for a Class B digital device, pursuant to Part 15 of the FCC rules. These limits are designed to provide reasonable protection against harmful interference in a residential installation. This equipment generates, uses, and can radiate radio frequency energy and, if not installed and used in accordance with the instructions, may cause harmful interference to radio communications. However, there is no guarantee that interference will not occur in a particular installation. If this equipment does cause harmful interference to radio or television reception, which can be determined by turning the equipment off and on, the user is encouraged to try to correct the interference by one or more of the following measures:

- Reorient or relocate the receiving antenna.
- Increase the separation between the equipment and receiver.
- Connect the equipment to an outlet on a circuit different from that to which the receiver is connected.
- Consult the dealer or an experienced radio/TV technician for help.

Rockwell

ROCKVILLE



RockvilleAudio.com

© 2022 ROCKVILLE // Features and specifications are subject to change and/or improvement without notice.