

ROCKVILLE

RGHR45

4-ZONE MARINE GAUGE-HOLE RECEIVER w/BLUETOOTH,
USB, AM/FM RADIO, and WIRED REMOTE

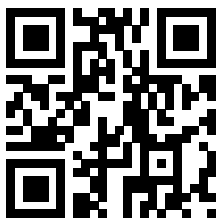
OWNER'S MANUAL

WHO READS MANUALS?

Instead, go to vimeo.com/474031278 or scan the QR code and watch a short video that shows you how to set this item up and how to use it.

If you prefer written instructions, please read ahead!

With Rockville you get many options.



Missing items? If you ordered a bundle that includes more than one product and you are missing part of your bundle, then it just means your order shipped from two different warehouses. You will receive the remaining items very soon. If you have any concerns or inquiries, feel free to call our customer support center at 1-646-758-0144, Monday through Thursday, 9am to 10pm EST, and Fridays, 9am to 3pm EST.

Thank you for purchasing this Rockville RGHR45 Water-resistant Gauge-hole Digital Media Receiver. Please read this manual carefully for proper use of your RGHR45. Should you need assistance, please call our technical help line at 1-646-758-0144, Monday through Thursday, 9am to 10pm EST, and Fridays, 9am to 3pm EST.

IMPORTANT SAFETY INSTRUCTIONS

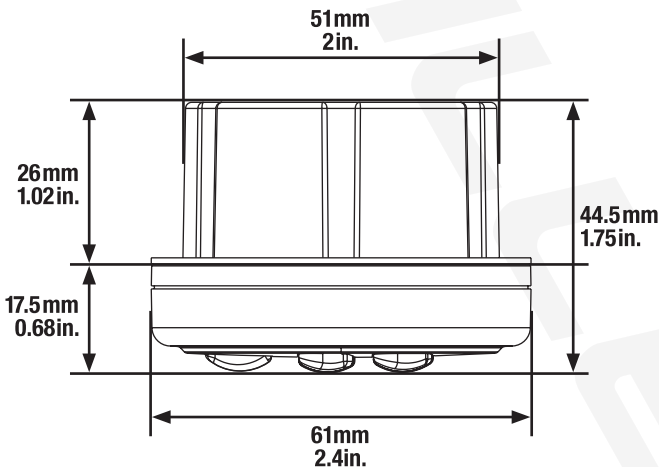


- To reduce risk of electric shock, never open the unit. There are no user-serviceable parts; refer service to an authorized Rockville service center.

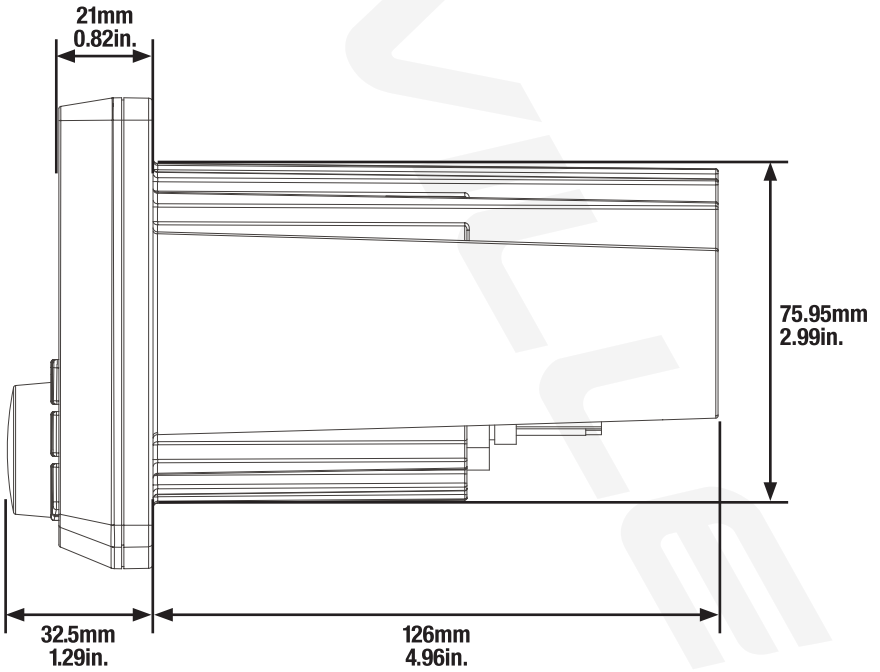
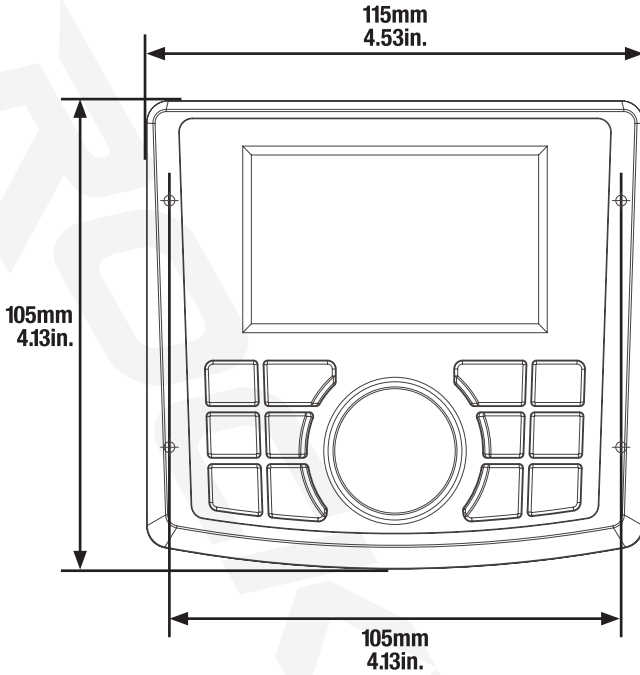
INCLUDED

- Marine digital media receiver
- Waterproof wiring harness
- Wired remote with zone controls
- 32.8" Remote control extension cable
- 40" USB extension cable
- Cut-out template
- Mounting screws
- Owner's manual and warranty card

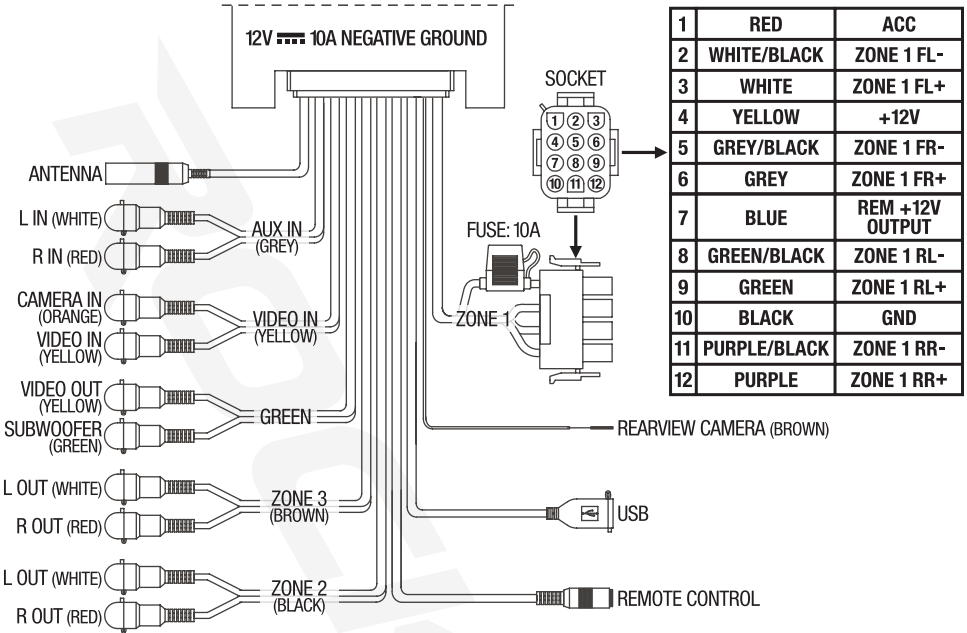
DIMENSIONS REMOTE



RECEIVER

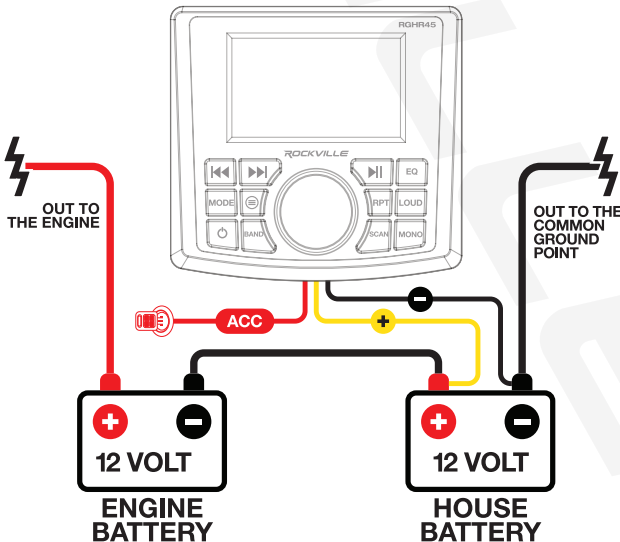


WIRING DIAGRAM



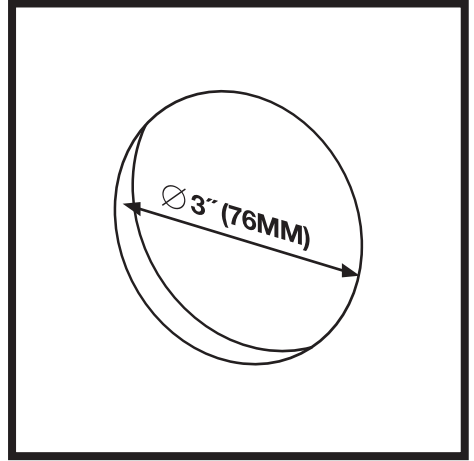
Please note:

Most boats run on two batteries, each 12 volts, combined in series to provide 24 volts of power. In the diagram below, the battery on the left is the ENGINE battery. Its positive lead goes to the engine, and its negative lead is tied to the positive lead of the HOUSE battery on the right. The HOUSE battery's negative terminal provides the common ground for the boat's electrical system. The RGHR45 runs on 12 volts. Hence, for trouble-free performance, connect the black ground wire and yellow power wire of the RGHR45 to the corresponding terminals on the HOUSE battery only. If the black ground wire does not reach the battery, it can be connected elsewhere, but it may cause intermittent issues. The safest bet is to connect the ground wire directly to the negative (black) terminal of the HOUSE battery. Connect the red ACC wire to the +12V ignition accessory switch.

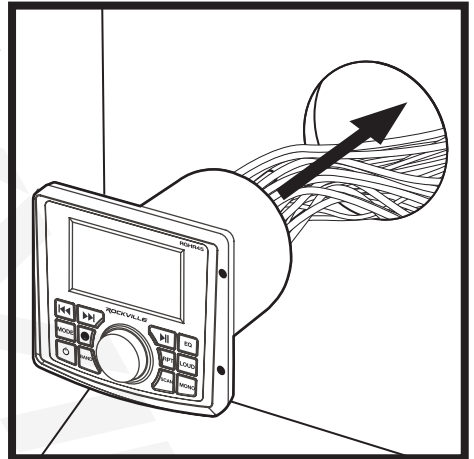


INSTALLATION RECEIVER

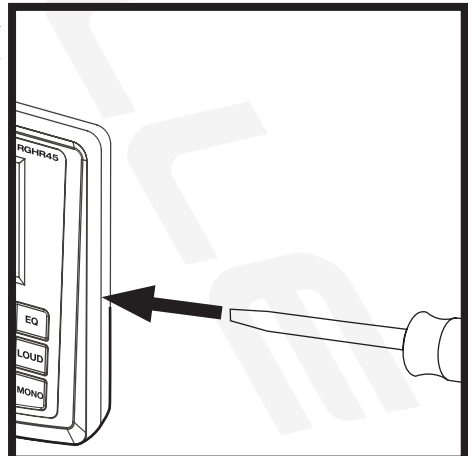
1. Cut out a 3" diameter hole for the unit. Make sure there is at least 5 - 7 inches of depth so the unit can fit into the cutout.



2. Wire the unit as indicated in the wiring diagram on the facing page. Insert the RGHR45 into the hole until it sits firmly against the mounting surface.



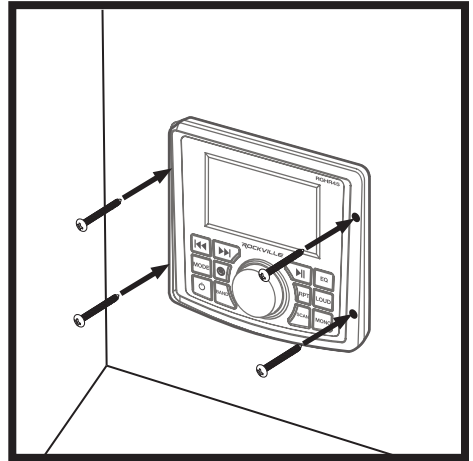
3. Using a small flathead screwdriver, carefully remove the unit's face plate as shown in the illustration.



INSTALLATION

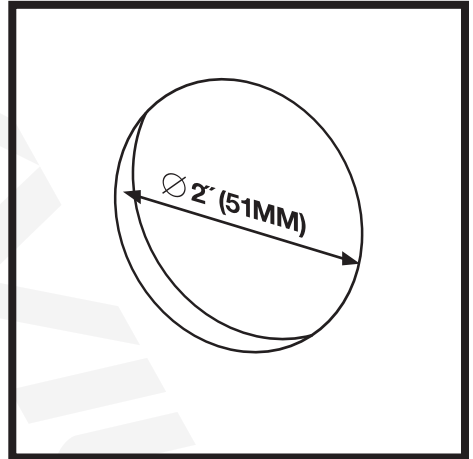
RECEIVER (continued)

4. Use the four included screws to secure the unit to the mounting surface. Do not overtighten the screws. Once the screws are in place, attach the faceplate to the unit.

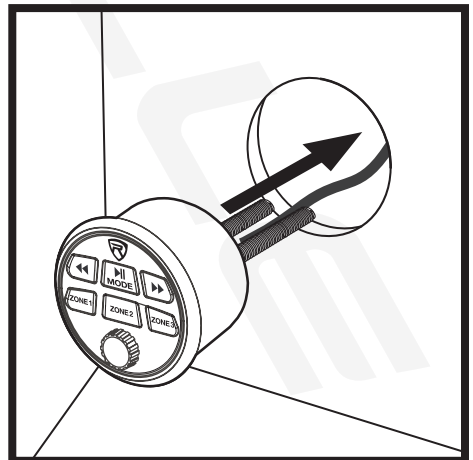


REMOTE CONTROL

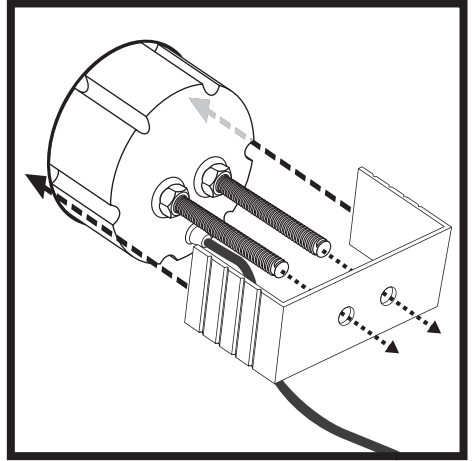
1. Cut out a 2" diameter hole for the unit. Make sure there is at least 3 inches of depth so the back of the remote control unit can fit into the cutout.



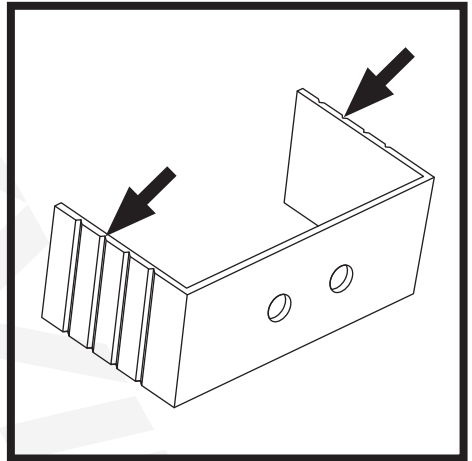
2. Feed the remote control cable into the hole and connect it to the included remote extension cable which should be connected to the remote control input on the RGHR45 receiver. Now slide the remote control unit into the hole until it sits firmly against the mounting surface.



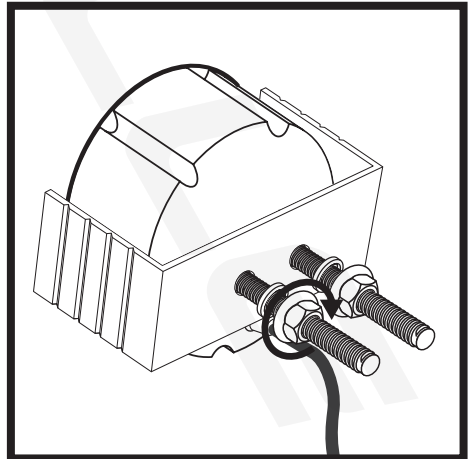
3. Slide the mounting bracket onto the unit as shown in the illustration. The bracket should sit firmly against the bolts and the arms should sit firmly against the mounting surface.



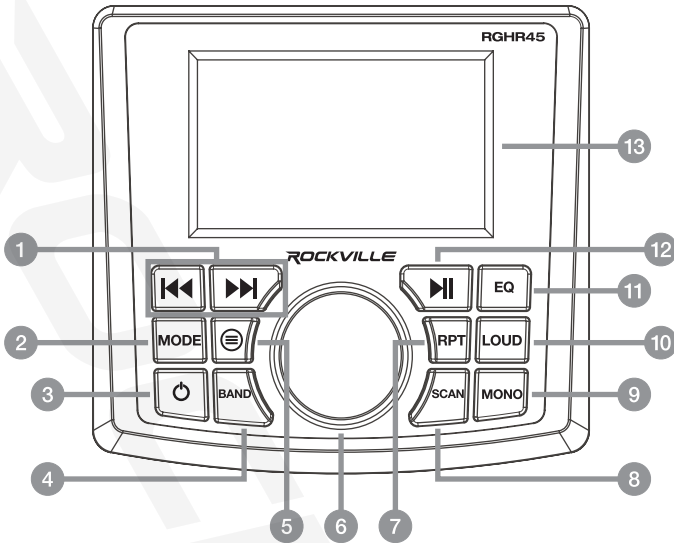
4. If the bracket arms are too long, adjust the length by using an appropriate tool to remove the necessary amount of breakaway segments.



5. Fasten the bracket to the remote control unit using the washers and bolts as shown in the illustration. Do not overtighten the bolts.



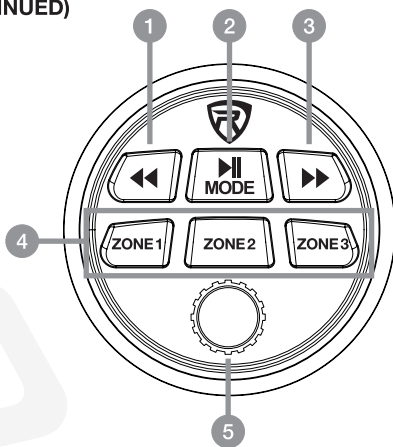
FUNCTIONS



RECEIVER

- 1. ◀▶ (PREVIOUS/NEXT):** Press to select the previous/next track or radio station. Press and hold to rewind or fast-forward (USB mode only).
- 2. MODE:** Press to reach the desired mode setting (BT/USB/RADIO/AV/AUX).
- 3. POWER:** Press to turn the unit on. Press the power button while the unit is on to mute audio playback. Press and hold for 2 seconds to turn the unit off.
- 4. BAND:** Press repeatedly to switch between AM and FM bands.
- 5. ≡ (MENU):** Press to enter the general settings menu.
- 6. VOL -/VOL+:** Turn counterclockwise to decrease the volume or clockwise to increase the volume. Press the button to enter the audio settings. Turn to scroll through the settings. Press to select desired setting. Turn to cycle through the selected setting's options. Press to confirm the desired option.
- 7. RPT:** Press once to repeat the current track. Press again to turn the repeat function off.
- 8. SCAN:** Press and hold the SCAN button to automatically program AM/FM stations. Short press the SCAN button to search for stations.
- 9. MONO (RADIO ONLY):** Press to turn mono setting on or off.
- 10. LOUD:** Press to turn loud setting on or off.
- 11. EQ:** Press to select preset EQ curves: Pop, Classical, Rock, Jazz, Beat, and Flat.
- 12. ▶||:** Press once to play current track; press again to pause.
- 13. LCD screen**

FUNCTIONS (CONTINUED)



REMOTE

1. ◀◀ (PREVIOUS): Press to select the previous track or radio station. Press and hold to rewind (USB mode only).
2. ▶▶ (PLAY/PAUSE)/MODE: Press to start or pause playback. Press and hold to change modes (BT/USB/RADIO/AV/AUX).
3. ▶▶ (NEXT): Press to select the next track or radio station. Press and hold to fast-forward (USB mode only).
4. SPEAKER ZONES: Press any one of these buttons to select the desired zone.
5. VOL-/VOL+: Press to turn the unit on. Turn counterclockwise to decrease the volume or clockwise to increase the volume. Click the knob to adjust the subwoofer output volume (turn counterclockwise to decrease or clockwise to increase volume). Press and hold for 2 seconds to turn the unit off.

BLUETOOTH

PAIRING:

1. When "NOT CONNECTED" is flashing on the screen, the unit is in pairing mode.
2. Ensure your device is in Bluetooth mode and discoverable.
3. Under list of available devices, search for and select RGHR45.
4. Once connected, the paired device's name will be displayed on the screen.

BLUETOOTH MUSIC:

1. Press the Play/Pause buttons to start and stop music playback.
2. Press the Previous/Next buttons to navigate through tracks.
3. Turn VOL-/VOL+ knob to decrease or increase the volume.

USB

1. Press the Play/Pause button to start and stop music playback.
2. Press the Previous/Next buttons to navigate through tracks.
3. Press and hold the Previous/Next buttons to rewind or fast forward.
4. Turn VOL-/VOL+ knob to decrease or increase the volume.

The following file formats are supported:

AUDIO

Format	Profile	Max Bit Rate	Max Sample Rate
MP3	All	320kbps	48000
WMA	Standard/Pro	384kbps	48000
OGG	Q1, Q10	500kbps	48000
FLAC	Level 0 – 8	1.60Mbps	48000
APE	n/a	950kbps	48000
AAC	n/a	448kbps	48000
AC3	AC3 only	640kbps	48000
ATRA	n/a	132kbps	44100
DTS	DTS only	3.84Mbps	48000

VIDEO

Video Format	Resolution	Video Decode
MKV	1280 x 720	MPEG4/XVID, DIVX4/DIVX5/MS MPEG4 V3, MPEG2, RV1/RV2/RVG2, RV3/RV4/RV8
	720 x 480	H264/AVC
	640 x 480	DIVX3
AVI	1280 x 720	MPEG4/XVID, DIVX4/DIVX5/MS MPEG4 V3, H263, MJPEG
	720 x 480	H264/AVC
	640 x 480	DIVX3
TS	1280 x 720	MPEG2
	720 x 480	H264/AVC
ASF	1280 x 720	MPEG4/XVID, DIVX4/DIVX5/MS MPEG4 V3, MPEG2, MPEG1, H263, MJPEG
	720 x 480	H264/AVC
	640 x 480	DIVX3
FLV	1280 x 720	H263
	720 x 480	H264/AVC
PMP	1280 x 720	MPEG4/XVID
	720 x 480	H264/AVC
RMVB	1280 x 720	RV1/RV2/RVG2, RV3/RV4/RV8/RV9
MPG/VOB	1280 x 720	MPEG2, MPEG1
WMV	1280 x 720	MPEG4/XVID
	720 x 480	DIVX4/DIVX5/MS MPEG4 V3, MPEG3

The video decoder does not support the following formats: WMV1, WMV2, WMV3, VC1, VP6, MS MPEG4 V1, and MS MPEG4 V2.

IMAGE

Photo Format	Max Resolution	Profile
JPEG	Unlimited	Baseline
BMP	2.5M Pixels	All
GIF	2.5M Pixels	89A/87A
PNG	2.5M Pixels	All

FUNCTIONS (CONTINUED)

SPEAKER ZONES

This marine receiver has 4 zones, each with independent volume control. There are 3 zones for full-range and a 4th zone for a subwoofer. Here is how it works: Zone 1 is the powerful built-in 4-channel amplifier to which you connect your main speakers. Zones 2 and 3 allow you to connect up to 4 additional channels (2 channels per zone) using one or more external amplifiers. You can then control the volume for each of the zones from the unit as well as from the included wired remote.

AM/FM RADIO

SCAN

Press and hold the SCAN button to automatically program AM/FM stations. The unit will scan through all frequencies and save available stations to the presets. Optionally, you can press and hold the Previous or Next button for 1 second. The display screen will show the word "AUTO" on the right, just above the radio icon. Press either button again and the unit will scan through all frequencies and save available stations to the presets.

Short press the SCAN button to search for stations. The unit will scan through all frequencies and stop at each available station for a few seconds. When you reach a station you like, press the SCAN button again to stop searching.

MANUAL TUNING

To navigate frequencies in single increments, press and hold the Previous or Next button for 1 second. The display screen will show the word "AUTO" on the right, just above the radio icon. Press either button again and the word "AUTO" will change to "MANUAL." Now you can use the Previous or Next button navigate the stations incrementally.

PRESETS

To save manually tuned stations to the presets, navigate to the desired station using the manual tuning procedure stated above. Once you've reached the station, wait until the word "MANUAL" disappears. Press and hold the BAND button until the screen shows "Save to preset 1." Use the Previous/Next buttons to select the preset bank to which you wish to save the station. Press and hold the BAND button to save the station. Upon successfully saving the station, the words "Save to preset" will disappear and the corresponding preset slot on the left-hand side of the screen will be highlighted and show the station's frequency.


To mute the radio, press the power button.

SETTINGS

AUDIO SETTINGS:

1. Click the main unit's VOL-/VOL+ knob to enter the audio settings menu.
2. To adjust the settings, click the VOL-/VOL+ knob to select the desired setting, turn the knob to make adjustments, then click the knob to exit.
3. Adjustable settings are: ZONE1 VOL, ZONE2 VOL, ZONE3 VOL, SUB VOL, Bass, Treble, EQ, Loudness, Sub filter crossover, Beep, radio mono mode and location.

GENERAL SETTINGS:

1. Press the  (MENU) button to enter the general settings menu.
2. To adjust the settings, turn the VOL-/VOL+ knob to select the desired setting, turn the knob to make adjustments, then click the knob to exit.

FEATURES

- Includes wired remote with the ability to control the volume in each zone
- 3" TFT color display
- Built-in Bluetooth/USB/AM/FM playback
- Fits into a standard gauge-hole (tachometer) opening
- Built-in high powered amplifier
- 2 pairs of pre-amp outputs
- 1 subwoofer output
- 4 zones each with volume control
 - zone 1: built-in amplifier
 - zone 2 and 3: are RCA outputs
 - zone 4: subwoofer output
- Built-in EQ with preset curves (Pop, Classical, Rock, Jazz, Beat, and Flat)
- IP66 waterproof certification
- USB input plays video, supports charging (500mA/5V), accepts thumb drives up to 16GB max, and supports a variety of file formats (see page 10)
- RCA A/V input to play back a video source
- Rear camera input
- RCA Aux Input
- Built-in AM/FM radio with 18 FM and 12 AM presets + US and European tuning
- Built-in Bluetooth to stream audio from any Bluetooth enabled device
- Big easy-to-use buttons
- Meets ASTM B117 and ASTM D4329 standards
- HumiSeal-coated PCB board for waterproofing and protection from the elements
- Highly efficient even when running at 2 ohms
- Low distortion even at top volumes

AMP SPECS

- TDA7851L quadbridge power amplifier
- RMS Power: 32W x 4 Channels @ 2 ohms
25W x 4 Channels @ 4 ohms
- Peak Power: 72W x 4 Channels @ 2 ohms
48W x 4 Channels @ 4 ohms

DIMENSIONS

RECEIVER

- Cutout mounting diameter: 3"
- Top plate dimensions (W x H x D): 4.53" x 4.13" x 0.82"
- Mounting depth (not including top plate): 4.96"
- Overall depth (including the top plate): 5.78"

REMOTE

- Cutout mounting diameter: 2"
- Top plate diameter: 2.4"
- Mounting depth (not including top plate): 1.02"
- Overall depth (including the top plate): 1.75"

Troubleshooting

PROBLEM	SOLUTION
No power	<ol style="list-style-type: none">1. Check power connections: Yellow wire goes to battery, red wire goes to ACC, black wire must be grounded securely. Make sure all three wires are connected, otherwise the unit will not receive power on.
Poor or no radio reception	<ol style="list-style-type: none">1. Make sure antenna cables are properly connected.
Bluetooth pairing fails	<ol style="list-style-type: none">1. Check to see that both devices are turned on and that your Bluetooth device is discoverable.2. Turn both devices off and then on again.3. Make sure you've selected the proper source.4. Make sure that the Bluetooth device is within 5 feet of the unit.5. Move both devices away from other Bluetooth devices and other electronics.6. Make sure that the unit is not paired to a previously paired device.
Files on USB memory device will not play back	<ol style="list-style-type: none">1. Make sure you've selected the proper source.2. Make sure that the audio files are properly formatted (see page 10).3. Make sure that the USB drive is properly plugged in.4. Check USB drive for damage.5. Make sure the USB drive's capacity does not exceed the 16GB limit.
No sound	<ol style="list-style-type: none">1. Check the unit's volume settings as well as those of any external sound source.2. Double check all connections and reattach if necessary.3. Check and adjust zone settings if necessary.4. Send unit in for repairs.

FEDERAL COMMUNICATIONS COMMISSION COMPLIANCE INFORMATION

Responsible party name: Rockville

Address: 600 Bayview Ave,
Entrance A,
Inwood, NY 11096

Hereby declares that the product Rockville RGHR45 Water-Resistant Gauge-Hole Digital Media Receiver complies with FCC rules as mentioned in the following paragraph:

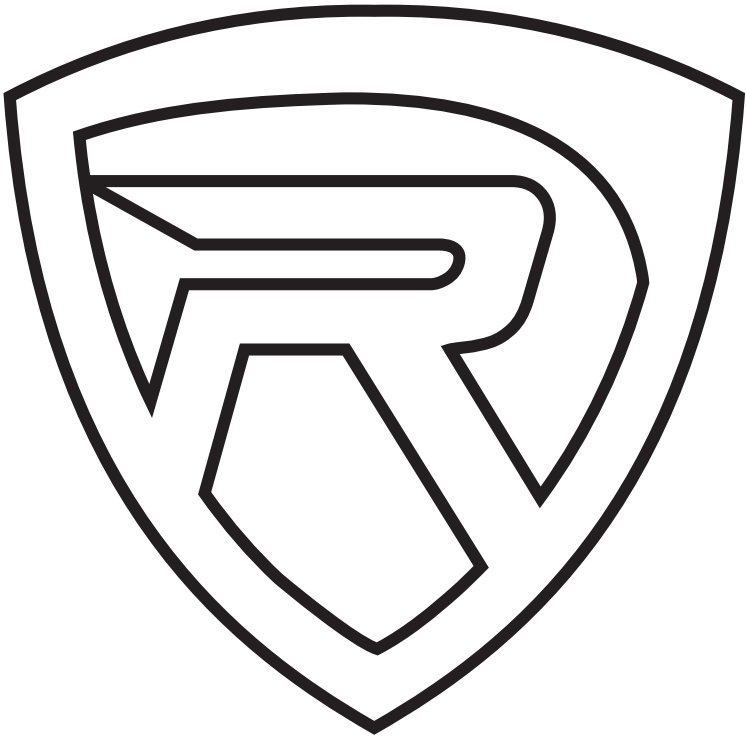
This device complies with Part 15 of the FCC rules. Operation is subject to the following two conditions: (1) this device may not cause harmful interference, and (2) this device must accept any interference received, including interference that may cause undesired operation.

Note: This equipment has been tested and found to comply with the limits for a Class B digital device, pursuant to Part 15 of the FCC rules. These limits are designed to provide reasonable protection against harmful interference in a residential installation. This equipment generates, uses, and can radiate radio frequency energy and, if not installed and used in accordance with the instructions, may cause harmful interference to radio communications. However, there is no guarantee that interference will not occur in a particular installation. If this equipment does cause harmful interference to radio or television reception, which can be determined by turning the equipment off and on, the user is encouraged to try to correct the interference by one or more of the following measures:

- Reorient or relocate the receiving antenna.
- Increase the separation between the equipment and receiver.
- Connect the equipment to an outlet on a circuit different from that to which the receiver is connected.
- Consult the dealer or an experienced radio/TV technician for help.

רוכבי מירוץ

ROCKVILLE



RockvilleAudio.com

© 2021 ROCKVILLE // Features and specifications are subject to change and/or improvement without notice.