

ROCKVILLE

RGHR2

WATER-RESISTANT GAUGE-HOLE DIGITAL MEDIA RECEIVER w/BLUETOOTH, USB, and AM/FM RADIO

OWNER'S MANUAL

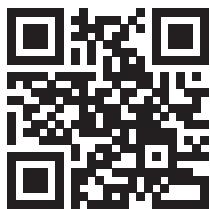
ATTENTION:
WATCH THIS VIDEO BEFORE FIRST USE!

Who reads manuals?

Scan the **QR code** or go to rockvillesupport.com/rghr2 to access how-to video(s), the owner's manual, and other important information you may need to get the most out of your item.

If you prefer written instructions, please read ahead!

With Rockville you get many options.



Missing items? If you ordered a bundle that includes more than one product and you are missing part of your bundle then it just means your order shipped from two different warehouses. You will receive the remaining items very soon. If you have any concerns or inquiries, feel free to call our customer support center at 1-646-758-0144, 24 hours a day/7 days a week.

ROCKWELL

Thank you for purchasing this Rockville RGHR2 water-resistant gauge-hole digital media receiver with Bluetooth, USB, and AM/FM radio. Please read this guide carefully for proper use of your Rockville RGHR2. Should you need technical assistance, please call our technical help line at 1-646-758-0144, 24 hours a day/7 days a week.

IMPORTANT SAFETY INSTRUCTIONS



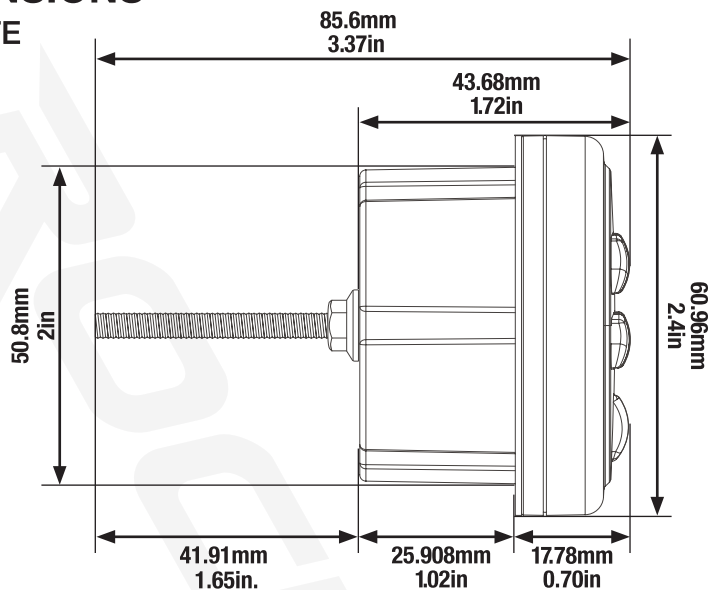
- To reduce risk of electric shock, never open the unit. There are no user-serviceable parts; refer service to the Rockville service center.

INCLUDED

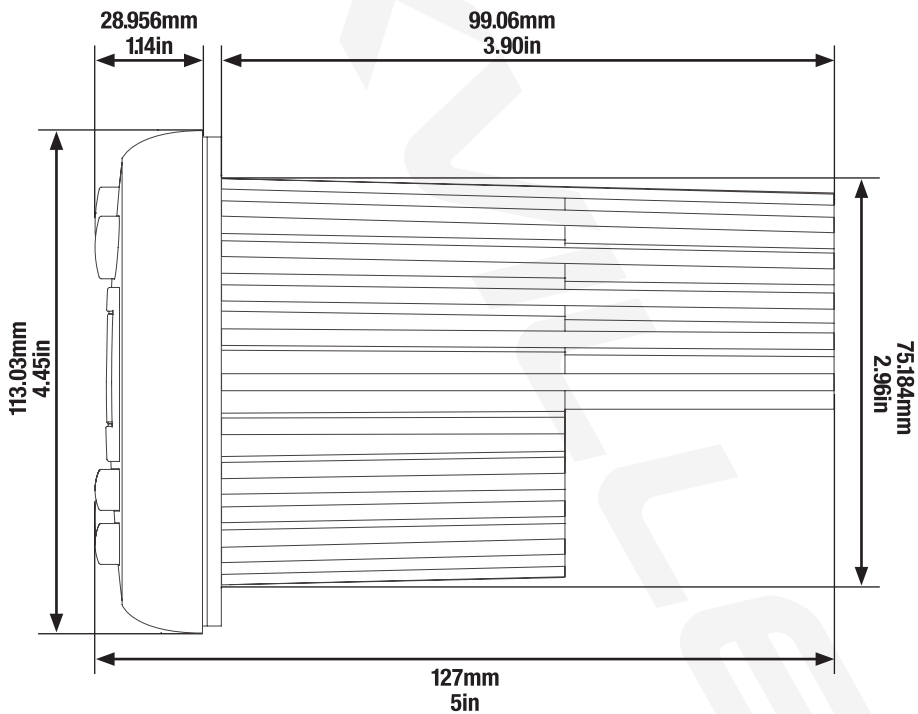
- Marine digital media receiver
- Wired remote with 32.8ft wire
- 40-inch USB extension cable
- Remote control mounting bracket
- Receiver mounting screws
- ISO wire harness
- Mounting template
- Installation guide
- Owner's manual, video card, and warranty card

DIMENSIONS

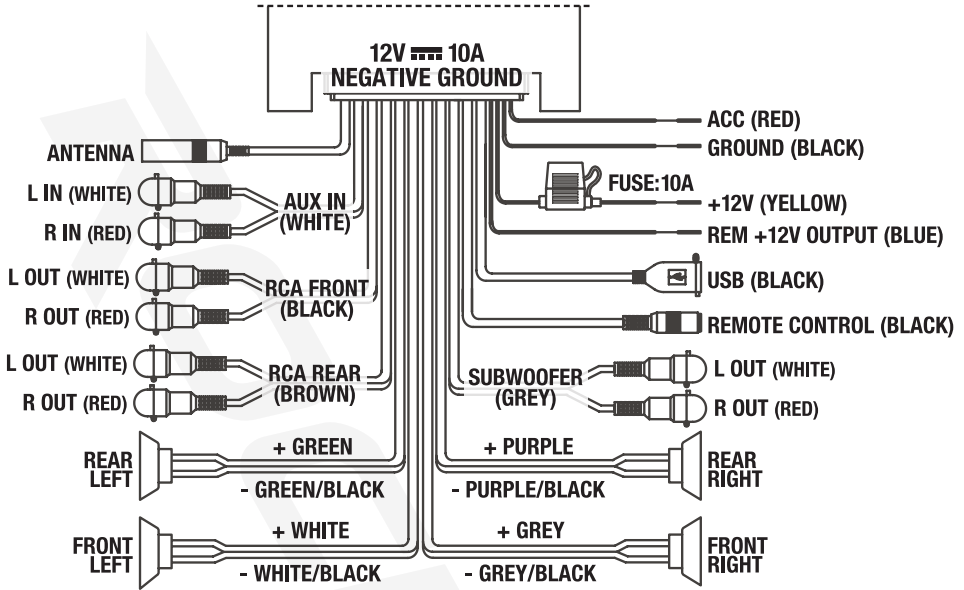
REMOTE



RECEIVER

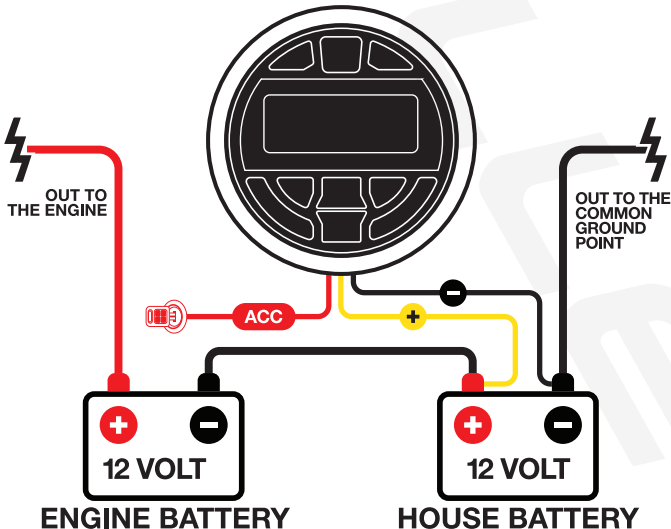


WIRING DIAGRAM

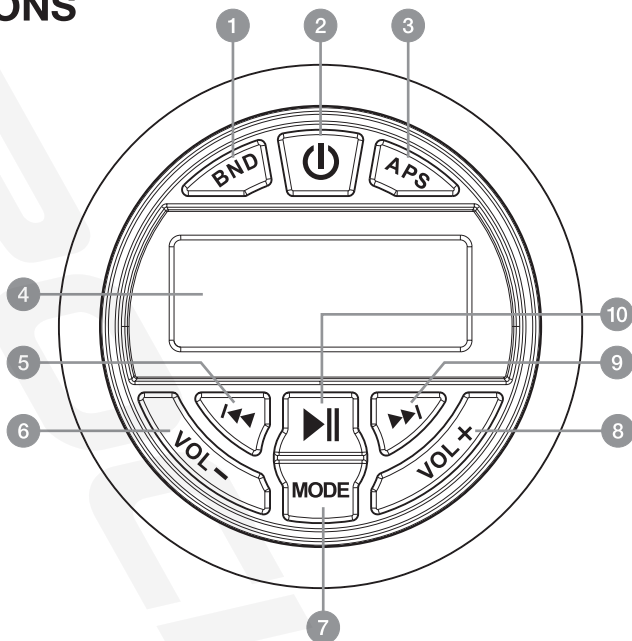


Attention:

Most boats run on two batteries, each 12 volts, combined in series to provide 24 volts of power. In the diagram below, the battery on the left is the **ENGINE BATTERY**. Its positive lead goes to the engine and its negative lead is tied to the positive lead of the **HOUSE BATTERY** on the right. The **HOUSE BATTERY'S** negative terminal provides the common ground for the boat's electrical system. The RGHR2 runs on 12 volts. Hence, for trouble-free performance, connect the **BLACK GROUND WIRE** and the **YELLOW POWER WIRE** of the RGHR2 to the corresponding terminals on the **HOUSE BATTERY** only. If the **BLACK GROUND WIRE** does not reach the battery, it can be connected elsewhere, but it may cause intermittent issues. The safest bet is to connect the ground wire directly to the negative (black) terminal of the **HOUSE BATTERY**. Be sure to connect the **RED (ACC) WIRE** from the harness to the vessel's ignition. This will allow the RGHR2 to power on when the vessel starts up.

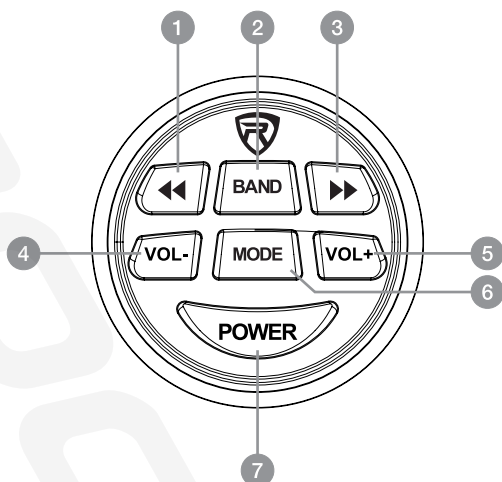


FUNCTIONS



RECEIVER

1. **BND:** In Radio mode, press to switch between AM and FM bands. Hold to save a station to a preset (see page 8). In USB mode, press to display track name, artist, or album.
2. **POWER:** Press or press and hold to turn the unit on. Press the power button while the unit is on to mute audio playback. Press and hold for 2 seconds to turn the unit off.
3. **APS:** Press and hold the APS button to automatically save AM/FM stations to the presets. While in AM or FM mode, press the APS button to search forward through the stations. In USB mode, press the APS button once to repeat one track, press again to repeat all tracks. Press and hold the APS button to access the track menu (TKR). Use volume buttons to select the desired track.
4. LCD screen
5. **PREVIOUS:** Press to select the previous track (BT/USB only) modes or radio station. Press and hold to rewind (USB only). Press and hold in Radio mode to enter manual seek mode.
6. **VOL -:** Press to incrementally decrease or press and hold to quickly decrease volume.
7. **MODE:** Use the mode button to reach the desired mode setting (BT/USB/RADIO/AUX). Press and hold the mode button to enter the unit settings menu (see page 9).
8. **VOL+:** Press to incrementally increase or press and hold to quickly increase volume.
9. **NEXT:** Press to select the next track (BT/USB only) modes or radio station. Press and hold to fast-forward (USB only). Press and hold in Radio mode to enter manual seek mode.
10. **Play/Pause:** Press once to play current track; press again to pause (BT/USB only).



REMOTE

1. **PREVIOUS** Press to select the previous track (BT/USB only) modes or radio station. Press and hold to rewind (USB only). Press and hold in Radio mode to enter manual seek mode.
2. **BAND**: In Radio mode, press to switch between AM and FM bands. Hold to save a station to a preset (see page 8). In USB mode, press to display track name, artist, or album.
3. **NEXT**: Press to select the next track (BT/USB only) modes or radio station. Press and hold to fast-forward (USB only). Press and hold in Radio mode to enter manual seek mode.
4. **VOL -**: Press to incrementally decrease or press and hold to quickly decrease volume.
5. **VOL+**: Press to incrementally increase or press and hold to quickly increase volume.
6. **MODE**: Use the mode button to reach the desired mode setting (BT/USB/RADIO/AUX). Press and hold the mode button to enter the unit settings menu (see page 9).
7. **POWER**: Press or press and hold to turn the unit on. Press the power button while the unit is on to mute audio playback. Press and hold for 2 seconds to turn the unit off.

OPERATION

BLUETOOTH

Pairing:

1. When BT MUSIC and the BT icon are flashing on the screen, the unit is in pairing mode.
2. Ensure your device is in Bluetooth mode and discoverable.
3. Under list of available devices, search for and select RGHR2.
4. Upon successful pairing, the BT icon will stop flashing and, for a few seconds, you will see the word "CONNECTED."
5. To disconnect paired device, simply press the APS button.

Bluetooth Music:

1. Press the Play/Pause buttons to start and stop music playback.
2. Press the Previous/Next buttons to navigate through tracks.
3. Press/hold VOL-/VOL+ to decrease or increase the volume.

USB

1. Press the Play/Pause buttons to start and stop music playback.
2. Press the Previous/Next buttons to navigate through tracks.
3. Press and hold the Previous/Next buttons to rewind or fast forward.
4. Press/hold VOL-/VOL+ to decrease or increase the volume.
5. Press the APS button once to repeat the current track. Press again to repeat all tracks.
6. Press and hold APS to search for a specific track number, then press VOL+ or VOL- to change to the desired track.
7. Press the BAND button to cycle through track title, artist, and album.

AM/FM RADIO

1. To scan through stations, press the APS button once.
2. To mute radio mode, press the power button.
3. Press and hold the APS button to automatically program AM/FM stations. The unit will scan through all frequencies and save available stations to the presets. Now the unit will go into a preview scan mode which will play 5 seconds of each preset station. Press the previous or next buttons stop preview mode.
4. To manually scroll forward or backwards through stations, hold the Previous or Next button for 1 second, release, then press again. Press to scroll forward/back in increments or press and hold to quickly scroll forward/ back.
5. To manually save a station, while in manual mode press the previous/next buttons until you've reached the desired frequency. Now hold the band button. The preset slot's number will begin to flash. Use the VOL+/VOL- buttons to cycle through the preset slots. Once you've reached the desired slot, press and hold band to save your selection.

Please note, if the unit is receiving a stereo signal from the current station, you will see two interlocking rings at the top left corner of the LCD screen. If these ring are not present, the unit is receiving a mono signal.

AUX

1. Press the POWER button to mute
2. Press/hold VOL-/VOL+ to decrease or increase the volume. Please note that this works independently of your source's volume control.

SETTINGS

1. Press and hold the MODE button to enter the Settings Menu.
2. Press the MODE button to change Menu items.
3. Adjustable settings are: Bass, Treble, Balance, Fader, Beep, Subwoofer output, Preset EQs, Loudness setting, Tuner Area/region.
4. To adjust the settings, use the VOL-/VOL+ buttons.

FEATURES

- Fits into a standard gauge-hole (tachometer) opening
- Built-in 72 x 4 watt peak high-powered amplifier (28 x 4 RMS)
- Built-in EQ with preset EQ curves (pop, classic, rock, flat)
- IP66 waterproof certification (tested to withstand the elements)
- USB input supports 16GB max
- RCA Aux input
- AM/FM radio built-in with 18 FM and 12 AM presets + US and European tuning
- Bluetooth built-in to stream audio from any Bluetooth enabled device
- Two sets of RCA outputs (front and rear) allow you to connect external amplifiers
- Dedicated RCA subwoofer output
- Big easy-to-use buttons
- Backlit LCD display
- Wired remote control included
- USB is 500mA and 5V, supports charging

AMP SPECS

- TDA7850 quad bridge power amplifier
- 4 x 72 watts peak @ 2 ohms
- 4 x 48 watts peak @ 4 ohms
- 4 x 28 watts RMS @ 4 ohms

DIMENSIONS

Receiver

- 2.96" mounting cutout diameter
- 4.45" top plate diameter
- 3.90" mounting depth (not including top plate)
- 5.00" depth including the top plate

Remote

- 2.00" mounting cutout diameter
- 2.40" top plate diameter
- 2.67" mounting depth (including the screws)
- 3.37" depth including the top plate and the screws

Troubleshooting

PROBLEM	SOLUTION
No power	1. Check power connections: Yellow wire goes to the house battery; Black wire must be grounded securely. The Red wire goes to the vessel's ignition.
Poor or no radio reception	1. Make sure antenna cables are properly connected.
Bluetooth pairing fails	1. Check to see that both devices are turned on and that your Bluetooth device is discoverable. 2. Turn both devices off and then on again. 3. Make sure you've selected the proper source. 4. Make sure that the Bluetooth device is within 5 feet of the unit. 5. Move both devices away from other Bluetooth devices and/or other electronics. 6. Make sure that the unit is not paired to a previously paired device.
Files on USB memory device will not play back	1. Make sure you've selected the proper source. 2. Make sure that the audio files are properly formatted. 3. Make sure that the USB drive is properly plugged in. 4. Check USB drive for damage. 5. Make sure the USB drive's capacity does not exceed the 16GB limit.
No sound	1. Check the unit's volume settings as well as those of any external sound source. 2. Double check all connections and reattach if necessary. 3. Check and adjust zone settings if necessary.

FEDERAL COMMUNICATIONS COMMISSION COMPLIANCE INFORMATION

Responsible party name: Rockville

Address: 600 Bayview Ave,
Entrance A,
Inwood, NY 11096

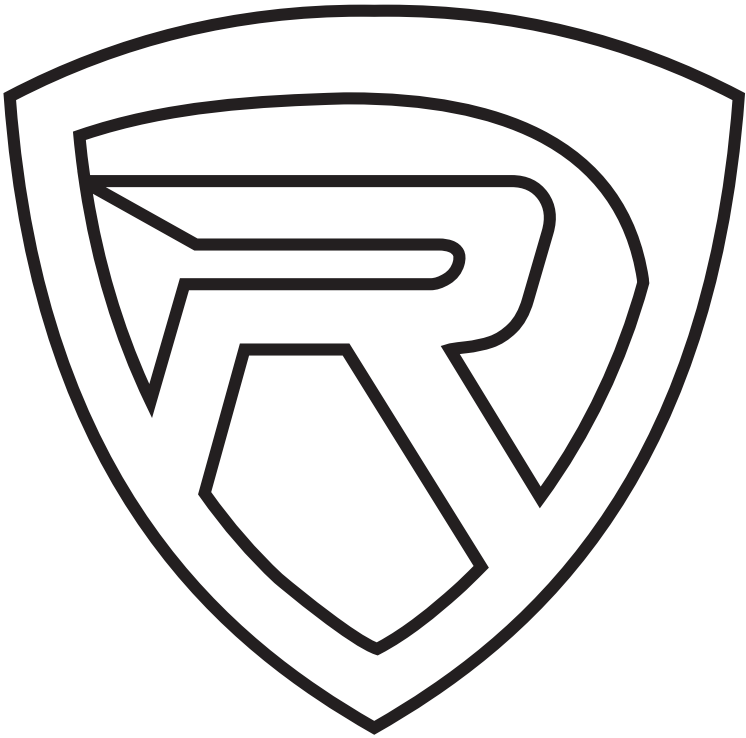
Hereby declares that the product Rockville RGHR2 Water-Resistant Gauge-Hole Digital Media Receiver complies with FCC rules as mentioned in the following paragraph:

This device complies with Part 15 of the FCC rules. Operation is subject to the following two conditions: (1) this device may not cause harmful interference, and (2) this device must accept any interference received, including interference that may cause undesired operation.

Note: This equipment has been tested and found to comply with the limits for a Class B digital device, pursuant to Part 15 of the FCC rules. These limits are designed to provide reasonable protection against harmful interference in a residential installation. This equipment generates, uses, and can radiate radio frequency energy and, if not installed and used in accordance with the instructions, may cause harmful interference to radio communications. However, there is no guarantee that interference will not occur in a particular installation. If this equipment does cause harmful interference to radio or television reception, which can be determined by turning the equipment off and on, the user is encouraged to try to correct the interference by one or more of the following measures:

- Reorient or relocate the receiving antenna.
- Increase the separation between the equipment and receiver.
- Consult the dealer or an experienced technician for help.

ROCKVILLE



RockvilleAudio.com

© 2023 ROCKVILLE // Features and specifications are subject to change and/or improvement without notice.