

ROCKVILLE

RGHR-ZA

WEATHER RESISTANT GAUGE-HOLE DIGITAL MEDIA
RECEIVER w/4 ZONES and APP CONTROL

OWNER'S MANUAL

ATTENTION:
WATCH THIS VIDEO BEFORE FIRST USE!



Who reads manuals?

Scan the **QR code** or go to rockvillesupport.com/rghr-za to access how-to video(s), the owner's manual, and other important information you may need to get the most out of your item.

If you prefer written instructions, please read ahead! *With Rockville you get many options.*

SCAN HERE

TO DOWNLOAD THE RGHR-ZA APP

Get full control of every function of your RGHR-ZA receiver through your iOS or Android mobile device.



iOs



Android

Missing items? If you ordered a bundle that includes more than one product and you are missing part of your bundle then it just means your order shipped from two different warehouses. You will receive the remaining items very soon. If you have any concerns or inquiries, feel free to call our customer support center at 1-646-758-0144, 24 hours a day/7 days a week.

Thank you for purchasing this Rockville RGHR-ZA. Please read this manual carefully for proper use of your RGHR-ZA. Should you need assistance, please call our technical help line at 1-646-758-0144, 24 hours a day/7 days a week.

INCLUDED

- Marine digital media receiver
- Waterproof wiring harness
- Wired remote with zone controls
- Remote extension cable
- 40" USB extension cable
- Cut-out template
- Mounting screws
- Remote bracket
- Owner's manual and warranty card

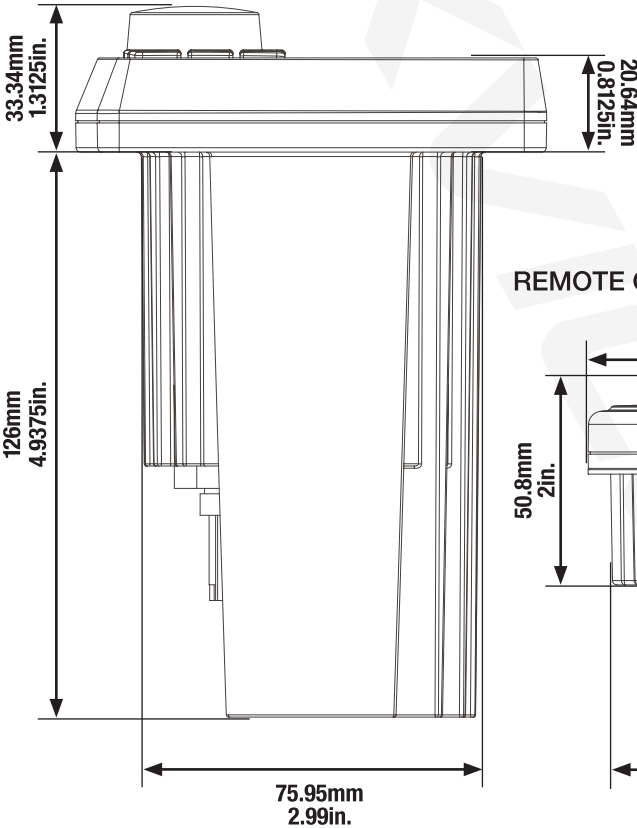
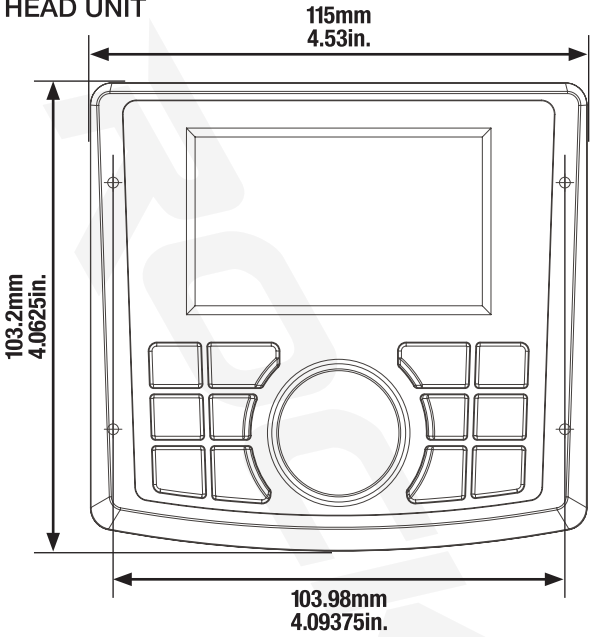
IMPORTANT SAFETY INSTRUCTIONS



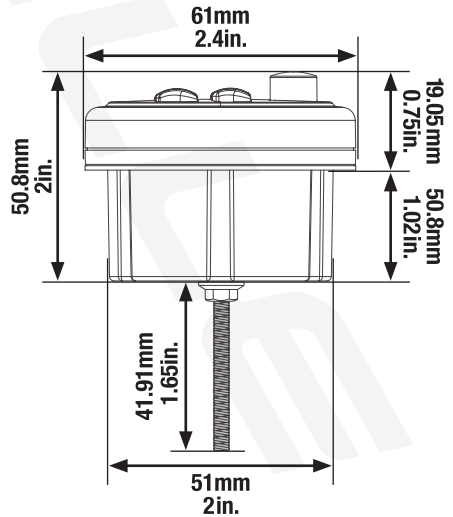
- To reduce risk of electric shock, never open the unit. There are no user-serviceable parts; refer service to the Rockville service center.

DIMENSIONS

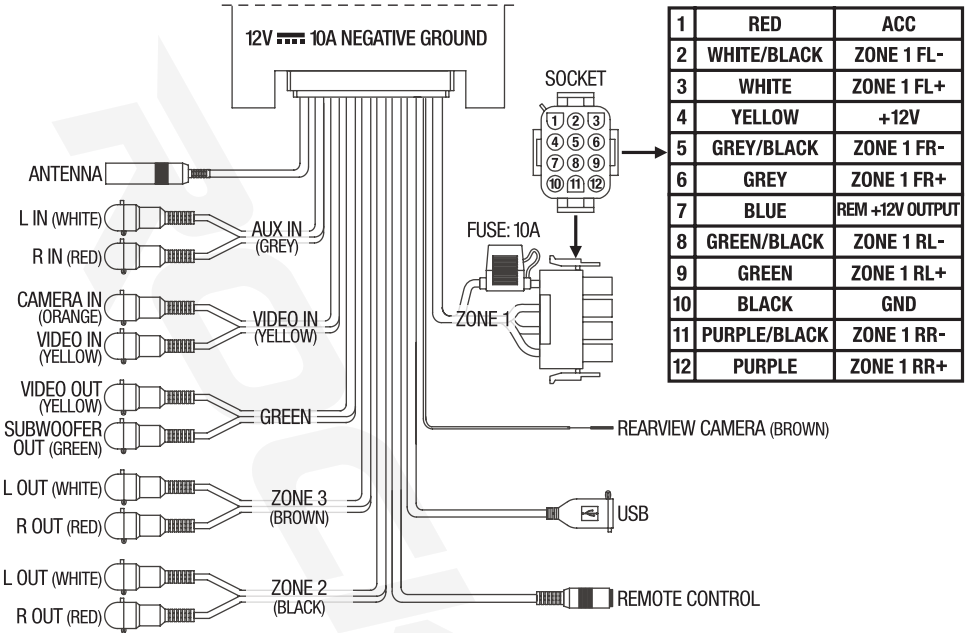
HEAD UNIT



REMOTE CONTROL

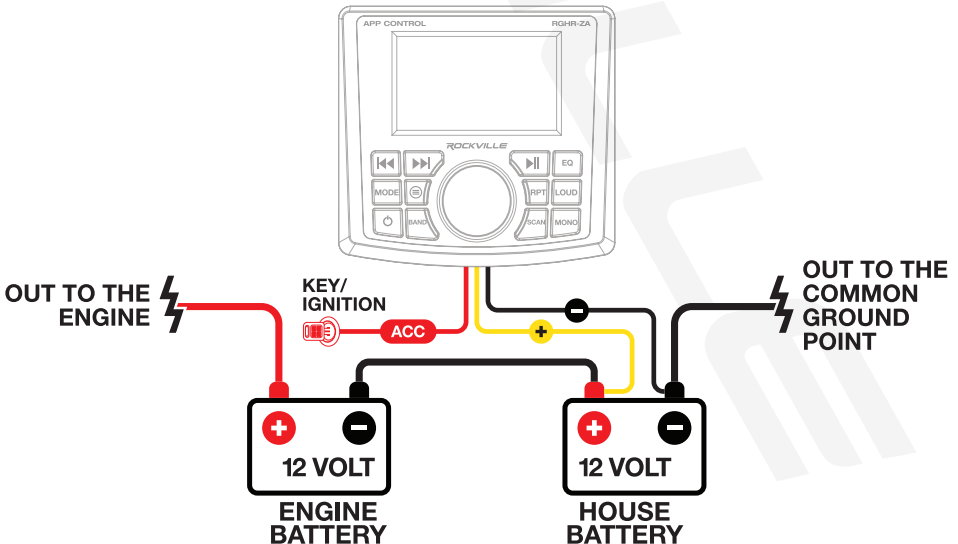


WIRING DIAGRAM



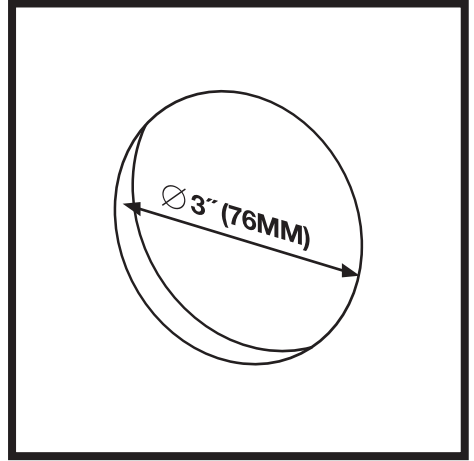
Please note:

Most boats run on two batteries, each 12 volts, combined in series to provide 24 volts of power. In the diagram below, the battery on the left is the ENGINE battery. Its positive lead goes to the engine, and its negative lead is tied to the positive lead of the HOUSE battery on the right. The HOUSE battery's negative terminal provides the common ground for the boat's electrical system. The RGHR-ZA runs on 12 volts. Hence, for trouble-free performance, connect the black ground wire and yellow power wire of the RGHR-ZA to the corresponding terminals on the HOUSE battery only. If the black ground wire does not reach the battery, it can be connected elsewhere, but it may cause intermittent issues. The safest bet is to connect the ground wire directly to the negative (black) terminal of the HOUSE battery. Connect the red ACC wire to the +12V ignition accessory switch.

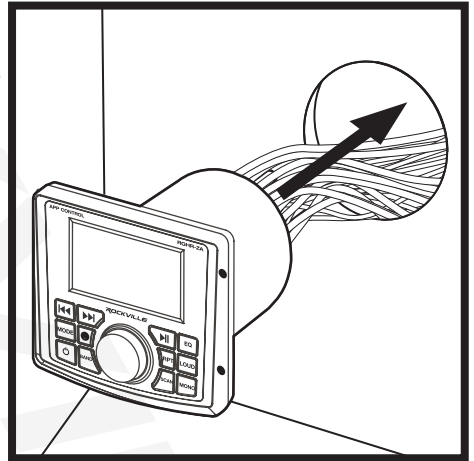


INSTALLATION RECEIVER

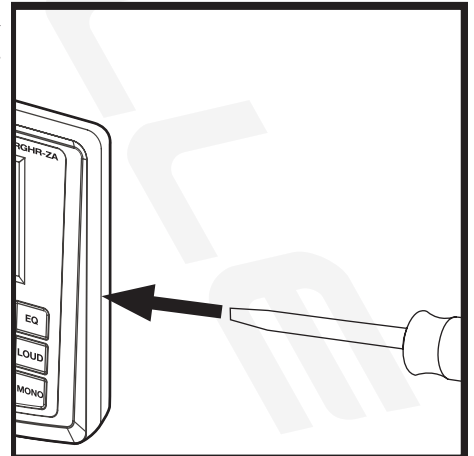
1. Cut out a 3" diameter hole for the unit. Make sure there is at least 5 - 7 inches of depth so the unit can fit into the cutout.



2. Wire the unit as indicated in the wiring diagram on the facing page. Insert the RGHR-ZA into the hole until it sits firmly against the mounting surface.



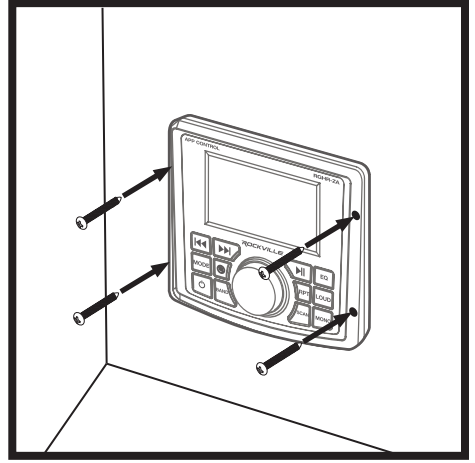
3. Using a small flathead screwdriver, carefully remove the unit's face plate as shown in the illustration.



INSTALLATION

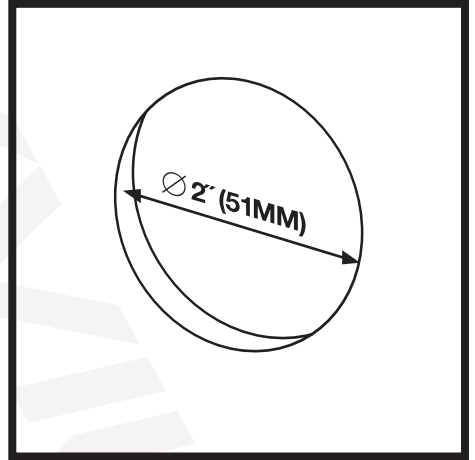
RECEIVER (continued)

4. Use the four included screws to secure the unit to the mounting surface. Do not overtighten the screws. Once the screws are in place, attach the faceplate to the unit.

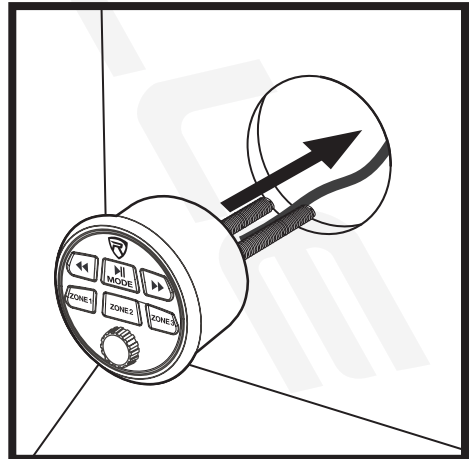


REMOTE CONTROL

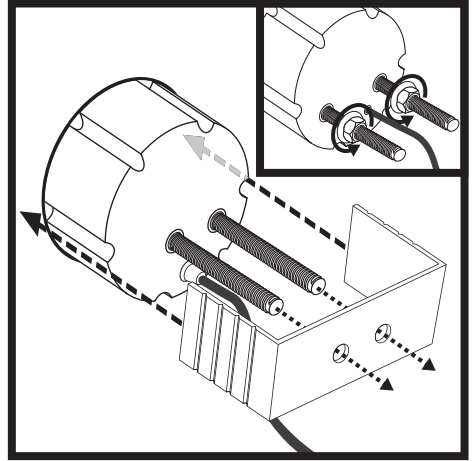
1. Cut out a 2" diameter hole for the unit. Make sure there is at least 3 inches of depth so the back of the remote control unit can fit into the cutout.



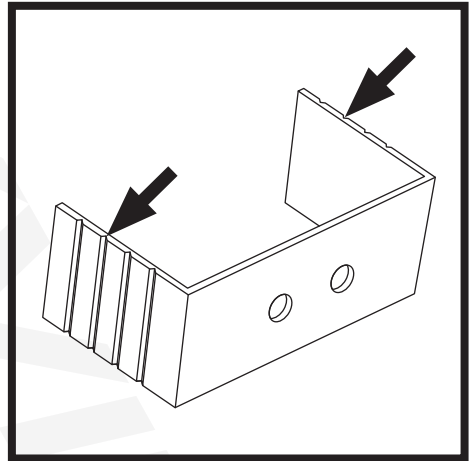
2. Feed the remote control cable into the hole and connect it to the included remote extension cable which should be connected to the remote control input on the RGHR-ZA receiver. Now slide the remote control unit into the hole until it sits firmly against the mounting surface.



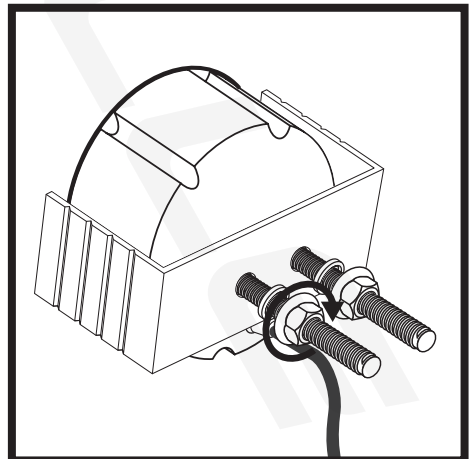
3. Remove the nuts (see inset) then slide the mounting bracket onto the unit as shown in the illustration. The bracket should sit firmly against the back of the remote and the arms should sit firmly against the mounting surface.



4. If the bracket arms are too long, adjust the length by using an appropriate tool to remove the necessary amount of breakaway segments.

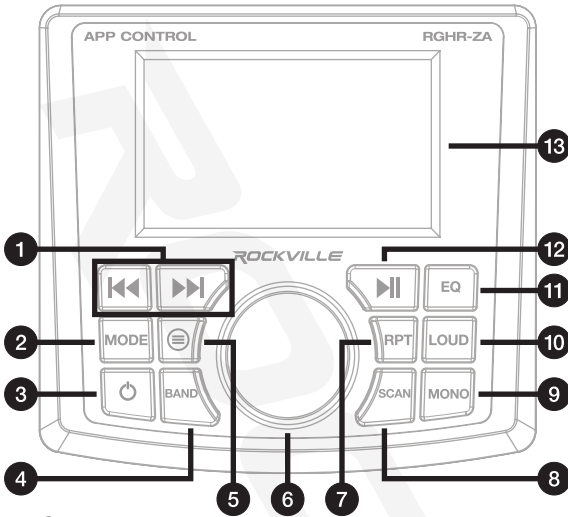


5. Fasten the bracket to the remote control unit using the washers and bolts as shown in the illustration. Do not overtighten the bolts.

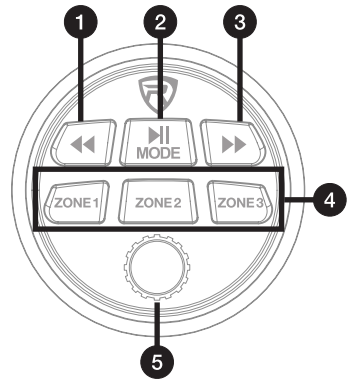


FUNCTIONS

RECEIVER



REMOTE



RECEIVER

1. **◀▶** (PREVIOUS/NEXT): Press to select the previous/next track (BT and USB) modes or radio station. Press and hold to rewind or fast-forward (USB mode only).
2. **MODE**: Press to reach the desired mode setting (BT, AV/AUX, Radio, USB).
3. **POWER**: Press or press and hold to turn the unit on. Press the power button while the unit is on to mute audio playback. Press and hold for 2 seconds to turn the unit off.
4. **BAND**: Press repeatedly to switch between AM and FM bands. In USB mode, press to cycle between file types. Please refer to the USB section on page 9 and the AM/FM Radio: Presets section on page 10 for additional functions.
5. **☰** (MENU): Press to enter the general settings menu. Please refer to the Settings: General settings section on page 10 for detailed instructions.
6. **MULTIFUNCTION KNOB**: In all modes, turn counterclockwise to decrease the volume or clockwise to increase the volume. Press the button to enter the audio settings. Turn to scroll through the settings. Press to select desired setting. Turn to cycle through the selected setting's options. Press to confirm the desired option.
7. **RPT** (USB only): Press once to repeat the current track. Press twice to shuffle all tracks. Press again to turn the repeat function off.
8. **SCAN**: Press and hold the SCAN button to automatically program AM/FM stations. Short press the SCAN button to search for stations. See pages 9 and 10 for more information.
9. **MONO** (RADIO ONLY): Press to turn mono setting on/off.
10. **LOUD**: Press to turn the loudness setting on/off.
11. **EQ**: Press to select preset EQ curves: Pop, Classical, Rock, Jazz, Beat, Flat, and off.
12. **▶||**: In BT and USB mode, press once to play current track; press again to pause.
13. LCD screen

REMOTE

1. **◀** (PREVIOUS): Press to select the previous track or radio station. Press and hold to rewind (USB mode only).
2. **▶||** (PLAY/PAUSE)/MODE: Press to start or pause playback. Press and hold to change modes (BT/USB/RADIO/AV/AUX).

3. **▶▶ (NEXT):** Press to select the next track or radio station. Press and hold to fast-forward (USB mode only).
4. **SPEAKER ZONES:** Press any one of these buttons to select the desired zone.
5. **VOL-/VOL+:** Press or press and hold to turn the unit on. Turn counterclockwise to decrease the volume or clockwise to increase the master volume. Click the knob to adjust the sub woofer output volume (turn counterclockwise to decrease or clockwise to increase volume). Press and hold for 2 seconds to turn the unit off.

BLUETOOTH

PAIRING:

1. When “NOT CONNECTED” is flashing on the screen, the unit is in pairing mode.
2. Ensure your device is in Bluetooth mode and discoverable.
3. Under list of available devices, search for and select RGHR-ZA.
4. Once connected, the paired device’s name will be displayed on the screen.

BLUETOOTH MUSIC:

1. Press the Play/Pause buttons to start and stop music playback.
2. Press the Previous/Next buttons to navigate through tracks.
3. Turn VOL-/VOL+ knob to decrease or increase the volume.

USB (see pages 10 and 11 for supported audio, video, and image formats)

1. While in USB mode, press the band button to cycle through music/pictures/videos. Press and hold the band button to bring up the USB home menu. Press the band button to cycle through the music, video, and photos sub menus. Use the multifunction knob or the next/previous buttons to browse the list. Press the multifunction knob or play button to confirm your selection.
2. Press the Play/Pause button to start and stop music playback.
3. Press the Previous/Next buttons to navigate through tracks, videos, or photos. Use the multifunction knob to confirm your selection.
4. Press and hold the Previous/Next buttons to rewind or fast forward (audio only).
5. Turn the Multifunction knob to decrease or increase the volume.

AUX/AV

L/R RCA INPUTS

Use these inputs to connect external audio input sources such as iPhones, iPads, iPods, MP3 players, Android phones and tablets, DVD or CD players, etc. Please note, some devices may require a male 3.5mm to Male RCA L/R adapter cable (not included).

RCA VIDEO INPUT

Use this input to connect an external video input source.

RCA VIDEO OUTPUT

Use this output to send video input to an external display. Whatever is being displayed on the RGHR-ZA screen will be outputted.

ZONE 2 and ZONE 3 L/R RCA OUTPUTS

Use these outputs to send a full range audio signal to the ZONE 2 RCA outputs (black cable), the ZONE 3 RCA outputs (brown cable), or both. Refer to the Speaker Zones section on page 10 for more information.

AM/FM RADIO

SCAN

Press and hold the SCAN button to automatically program AM/FM stations. The unit will

FUNCTIONS (CONTINUED)

scan through all frequencies and save available stations to the presets. Now the unit will go into a preview scan mode which will play 5 seconds of each preset station. Optionally, you can press and hold the Previous or Next button for 1 second. The display screen will show the word “AUTO” on the right, just above the radio icon. Press either button again and the unit will scan through all frequencies and save available stations to the presets. Short press the SCAN button to search for stations. The unit will scan through all frequencies and stop at each available station for a few seconds. When you reach a station you like, press the SCAN button again to stop searching.

MANUAL TUNING

To navigate frequencies in single increments, press and hold the Previous or Next button for 1 second. The display screen will show the word “AUTO” on the right, just above the radio icon. Press hold either button again for 1 second and the word “AUTO” will change to “MANUAL.” Now you can use the Previous or Next button navigate the stations incrementally.

PRESETS

To save manually tuned stations to the presets, navigate to the desired station using the manual tuning procedure stated above. Once you’ve reached the station, wait until the word “MANUAL” disappears. Press and hold the BAND button until the screen shows “Save to preset 1.” Use the Previous/Next buttons to select the preset bank to which you wish to save the station. Press and hold the BAND button to save the station. Upon successfully saving the station, the words “Save to preset” will disappear and the corresponding preset slot on the left-hand side of the screen will be highlighted and show the station’s frequency. To mute the radio, press the power button.

SPEAKER ZONES


This marine receiver has 3 zones, each with independent volume control. There are 1 zone for full-range and 2 zones for line level output. Here is how it works: Zone 1 is the powerful built-in 4-channel amplifier to which you connect your main speakers. Zones 2 and 3 allow you to connect up to 4 additional channels (2 channels per zone) using one or more external amplifiers. You can then control the volume for each of the zones from the unit as well as from the included wired remote.

SETTINGS

AUDIO SETTINGS:

1. Click the main unit’s Multifunction knob to enter the audio settings menu.
2. Turn the Multifunction knob to cycle through the audio settings options.
3. To adjust the settings, click the Multifunction knob to select the desired setting, turn the knob to make adjustments, then click the knob to exit.
4. Adjustable settings are: ZONE1 VOL, ZONE 2 VOL, ZONE 3 VOL, SUB VOL, Bass, Treble, EQ, Loudness, Sub filter crossover, Beep, radio mono mode and location.

GENERAL SETTINGS:

1. Press the  (MENU) button to enter the general settings menu.
2. Turn the Multifunction knob to cycle through the audio settings options.
3. To adjust the settings, click the Multifunction knob to select the desired setting, turn the knob to make adjustments, then click the knob to exit.

RGHR-ZA Mobile App

To RGHR-ZA includes an app available for iPhone and Android phones which allows your phone to act as a wireless remote. Through the app you can adjust the main volume, zone volumes, general sound settings, control playback in USB and BT modes, change the in-

put source, and control the radio. You can download the app at the Apple app store or the Google Play app store. Simply search for RGHR-ZA.

SUPPORTED FILE FORMATS

The following file formats are supported in USB input mode:

AUDIO

Format	Profile	Max Bit Rate	Max Sample Rate
MP3	All	320kbps	48000
WMA	Standard/Pro	384kbps	48000
OGG	Q1, Q10	500kbps	48000
FLAC	Level 0 – 8	1.60Mbps	48000
APE	n/a	950kbps	48000
AAC	n/a	448kbps	48000
AC3	AC3 only	640kbps	48000
ATRA	n/a	132kbps	44100
DTS	DTS only	3.84Mbps	48000

VIDEO

Video Format	Resolution	Video Decode
MKV	1280 x 720	MPEG4/XVID, DIVX4/DIVX5/MS MPEG4 V3, MPEG2, RV1/RV2/RVG2, RV3/RV4/RV8
	720 x 480	H264/AVC
	640 x 480	DIVX3
AVI	1280 x 720	MPEG4/XVID, DIVX4/DIVX5/MS MPEG4 V3, H263, MJPEG
	720 x 480	H264/AVC
	640 x 480	DIVX3
TS	1280 x 720	MPEG2
	720 x 480	H264/AVC
ASF	1280 x 720	MPEG4/XVID, DIVX4/DIVX5/MS MPEG4 V3, MPEG2, MPEG1, H263, MJPEG
	720 x 480	H264/AVC
	640 x 480	DIVX3
FLV	1280 x 720	H263
	720 x 480	H264/AVC
PMP	1280 x 720	MPEG4/XVID
	720 x 480	H264/AVC
RMVB	1280 x 720	RV1/RV2/RVG2, RV3/RV4/RV8/RV9
MPG/VOB	1280 x 720	MPEG2, MPEG1
WMV	1280 x 720	MPEG4/XVID
	720 x 480	DVIX4/DVIX5/MS MPEG4 V3, MPEG3

The video decoder does not support the following formats: WMV1, WMV2, WMV3, VC1, VP6, MS MPEG4 V1, and MS MPEG4 V2.

IMAGE

Photo Format	Max Resolution	Profile
JPEG	Unlimited	Baseline
BMP	2.5M Pixels	All
GIF	2.5M Pixels	89A/87A
PNG	2.5M Pixels	All

FEATURES

- Includes wired remote with the ability to control the volume in each zone
- APP control allows you to download the free app for Android or iPhone and control zone volume, song selection, source selection, and more
- Back-lit 3" TFT color display
- Built-in Bluetooth/USB/AM/FM playback
- Fits into a standard gauge-hole (tachometer) opening
- Built-in high powered amplifier
- 2 pairs of pre-amp outputs
- 1 subwoofer output
- 4 zones each with volume control
 - zone 1: built-in amplifier
 - zone 2 and 3: are RCA outputs
 - zone 4: subwoofer output
- Built-in EQ with preset curves (Pop, Classic, Rock, Jazz, Beat, and Flat)
- IP66 waterproof certification
- USB input plays video, music, photos, supports charging (500mA/5V), accepts thumb drives up to 16GB max, and supports a variety of file formats (see page 10)
- RCA A/V input to play back a video source
- Rear camera input
- RCA Aux Input
- Built-in AM/FM radio with 18 FM and 12 AM presets + US and European tuning
- Built-in Bluetooth to stream audio from any Bluetooth enabled device
- Big easy-to-use buttons
- Meets ASTM B117 and ASTM D4329 standards
- HumiSeal-coated PCB board for waterproofing and protection from the elements
- Highly efficient even when running at 2 ohms
- Low distortion even at top volumes

AMP SPECS

- TDA7850IC quadbridge power amplifier
- RMS Power: 32W x 4 Channels @ 2 ohms
28W x 4 Channels @ 4 ohms
- Peak Power: 72W x 4 Channels @ 2 ohms
48W x 4 Channels @ 4 ohms

DIMENSIONS

RECEIVER

- Cutout mounting diameter: 3"
- Top plate dimensions (W x H x D): 4.5" x 4.0625" x 0.8125"
- Mounting depth (not including top plate): 4.96"
- Overall depth (including the top plate): 5.75"

REMOTE

- Cutout mounting diameter: 2"
- Top plate diameter: 2.4"
- Mounting depth (not including top plate): 2.67"
- Overall depth (including the top plate and screws): 3.65"

Troubleshooting

PROBLEM	SOLUTION
No power	<ol style="list-style-type: none">1. Check power connections: Yellow wire goes to battery, red wire goes to ACC, black wire must be grounded securely. Make sure all three wires are connected, otherwise the unit will not receive power on.
Poor or no radio reception	<ol style="list-style-type: none">1. Make sure antenna cables are properly connected.
Bluetooth pairing fails	<ol style="list-style-type: none">1. Check to see that both devices are turned on and that your Bluetooth device is discoverable.2. Turn both devices off and then on again.3. Make sure you've selected the proper source.4. Make sure that the Bluetooth device is within 5 feet of the unit.5. Move both devices away from other Bluetooth devices and other electronics.6. Make sure that the unit is not paired to a previously paired device.
Files on USB memory device will not play back	<ol style="list-style-type: none">1. Make sure you've selected the proper source.2. Make sure that the audio files are properly formatted (see page 10).3. Make sure that the USB drive is properly plugged in.4. Check USB drive for damage.5. Make sure the USB drive's capacity does not exceed the 16GB limit.
No sound	<ol style="list-style-type: none">1. Check the unit's volume settings as well as those of any external sound source.2. Double check all connections and reattach if necessary.3. Check and adjust zone settings if necessary.

FEDERAL COMMUNICATIONS COMMISSION COMPLIANCE INFORMATION

Responsible party name: Rockville

Address: 600 Bayview Ave,
Entrance A,
Inwood, NY 11096

Hereby declares that the product Rockville RGHR-ZA Water-Resistant Gauge-Hole Digital Media Receiver complies with FCC rules as mentioned in the following paragraph:

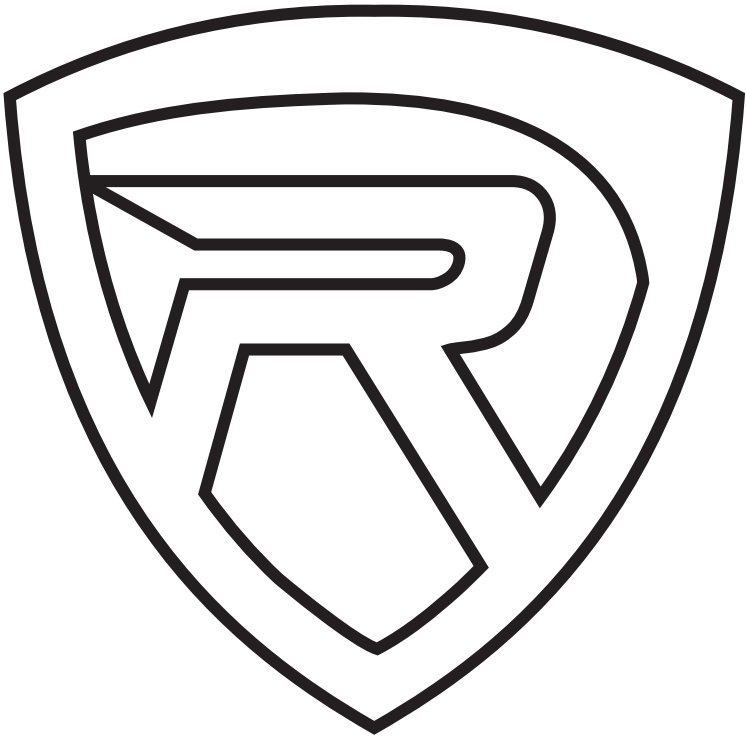
This device complies with Part 15 of the FCC rules. Operation is subject to the following two conditions: (1) this device may not cause harmful interference, and (2) this device must accept any interference received, including interference that may cause undesired operation.

Note: This equipment has been tested and found to comply with the limits for a Class B digital device, pursuant to Part 15 of the FCC rules. These limits are designed to provide reasonable protection against harmful interference in a residential installation. This equipment generates, uses, and can radiate radio frequency energy and, if not installed and used in accordance with the instructions, may cause harmful interference to radio communications. However, there is no guarantee that interference will not occur in a particular installation. If this equipment does cause harmful interference to radio or television reception, which can be determined by turning the equipment off and on, the user is encouraged to try to correct the interference by one or more of the following measures:

- Reorient or relocate the receiving antenna.
- Increase the separation between the equipment and receiver.
- Connect the equipment to an outlet on a circuit different from that to which the receiver is connected.
- Consult the dealer or an experienced radio/TV technician for help.

Rockwell

ROCKVILLE



RockvilleAudio.com

© 2024 ROCKVILLE // Features and specifications are subject to change and/or improvement without notice.