

ROCKVILLE

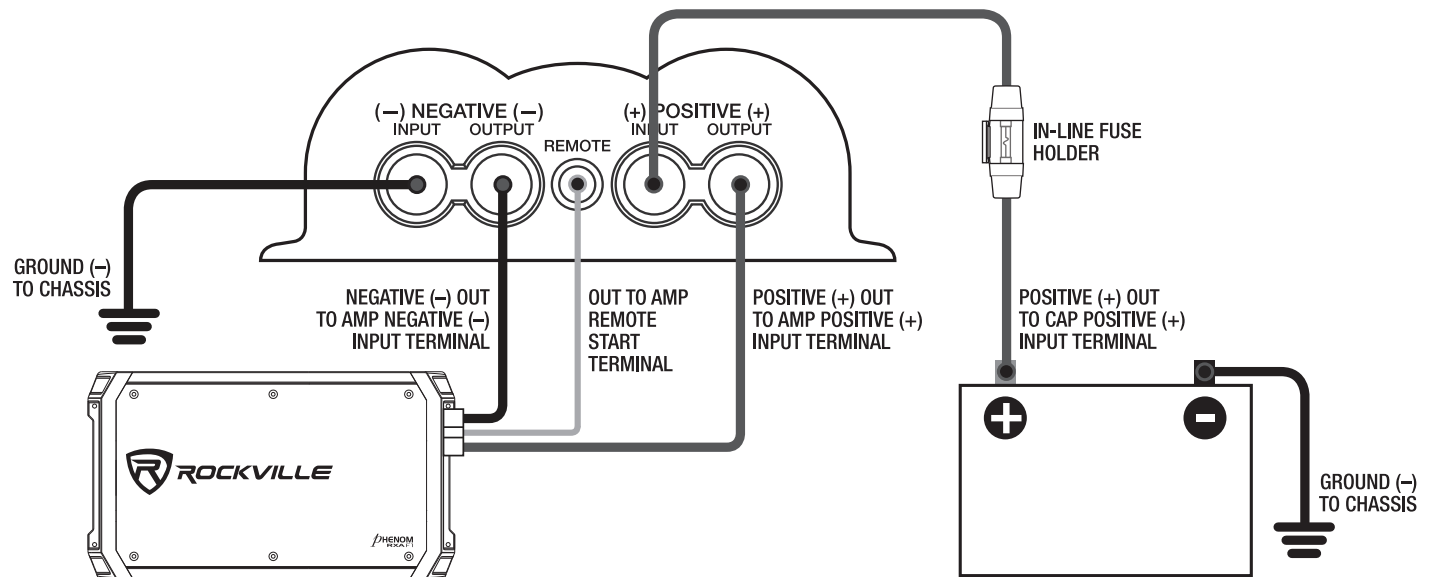
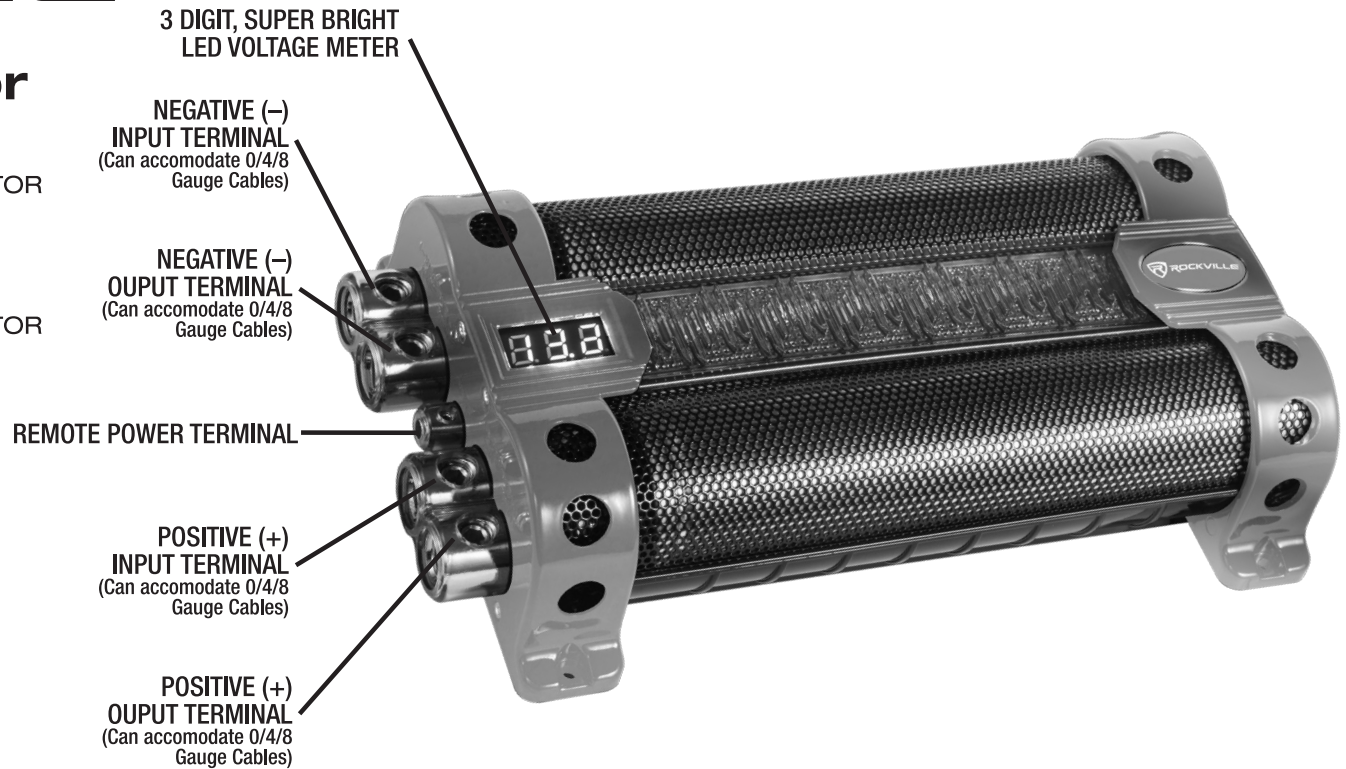
INSTRUCTION SHEET for RFC50F 50 FARAD HIGH POWER DIGITAL HYBRID CAPACITOR and RFC30F 30 FARAD HIGH POWER DIGITAL HYBRID CAPACITOR

SPECIFICATIONS:

- Operating Voltage: 10 - 16V DC
- Surge Voltage: 20V DC
- Voltage measure accurate to +/- 0.1VDC
- Capacitance tolerance: +/- 10%
- Over-voltage protection circuit automatically alarms when the voltage above 17.5V or under 10V
- Two 0 / 4 / 8 Gauge input terminals and Two 0 / 4 / 8 Gauge output terminals

FEATURES:

- Rockville RFC Series Digital Capacitor
- ESR (Equivalent Series Resistance): 0.015 ohm @ 120Hz, 25°C
- Digital Hybrid Capacitor with Blue Illumination
- Blue illuminated window with light that blinks to the beat of the music
- Black wire mesh cover
- Warning tones for reverse polarity connection
- 3-Digit, super bright LED voltage meter
- Automatic sleep status when volume is low
- Heavy duty bolt down style platinum plated terminals



RockvilleAudio.com
DESIGNED AND ENGINEERED IN THE USA, MANUFACTURED IN CHINA.
LET'S GET SOCIAL   