



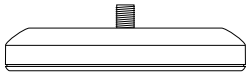


# RDMS6

## Assembly Instructions

Thank you for purchasing the RDMS6 Studio Desktop Mic Stand with 11.8" Gooseneck and Round Weighted Base. Please read these assembly directions carefully before use. Make sure all parts are included. If any parts are missing please contact our technical help line at 1-646-758-0144, Monday through Friday, 9am to 5pm EST.

### Included

mic clip		1 pc.
gooseneck		1 pc.
weighted base		1 pc.

### Additional Accessories

For added functionality, the RDMS6 can be used with these Rockville products:

- **IPS22 Smartphone/ Tablet Mount**  
[www.rockvilleaudio.com/ips22](http://www.rockvilleaudio.com/ips22)
- **ROCKSHOCK Studio Condenser Microphone Metal Shock Mount**  
[www.rockvilleaudio.com/rockshock](http://www.rockvilleaudio.com/rockshock)

