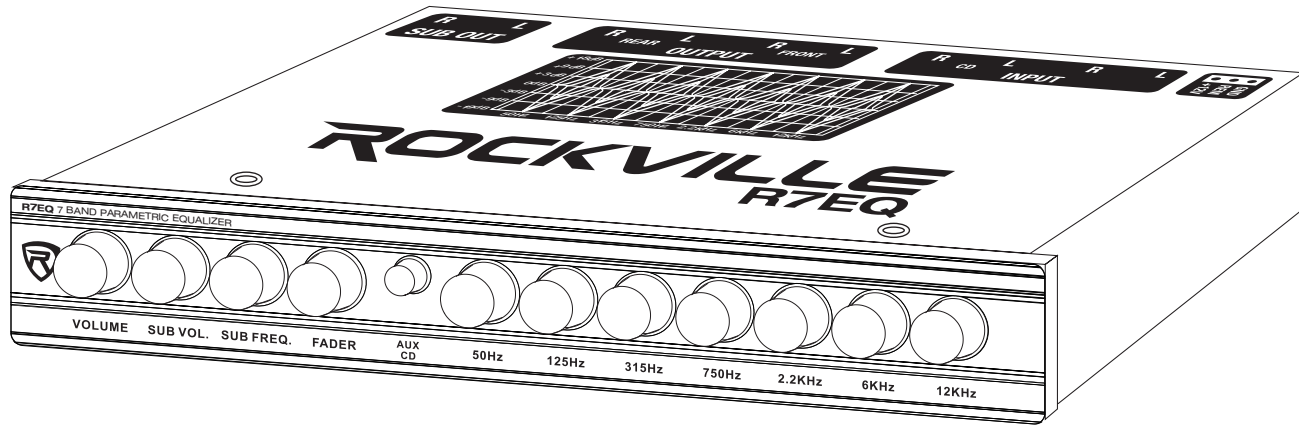


ROCKVILLE



OWNER'S MANUAL

R7EQ
1/2 DIN 7 BAND CAR AUDIO EQUALIZER

Thank you for purchasing this Rockville R7EQ ½ DIN 7 Band Car Audio Equalizer.

We have spared no expense in manufacturing this equalizer to meet the highest quality standards. With proper care and installation this unit will provide you with the highest levels of sound quality. We hope that it will bring you years of performance and reliability.

Please read this owner's manual carefully for proper use of your Rockville R7EQ ½ DIN 7 Band Car Audio Equalizer. Should you need technical assistance during or after your installation please call our technical help line at 1-646-758-0144, Monday through Friday, 9am to 5pm EST.

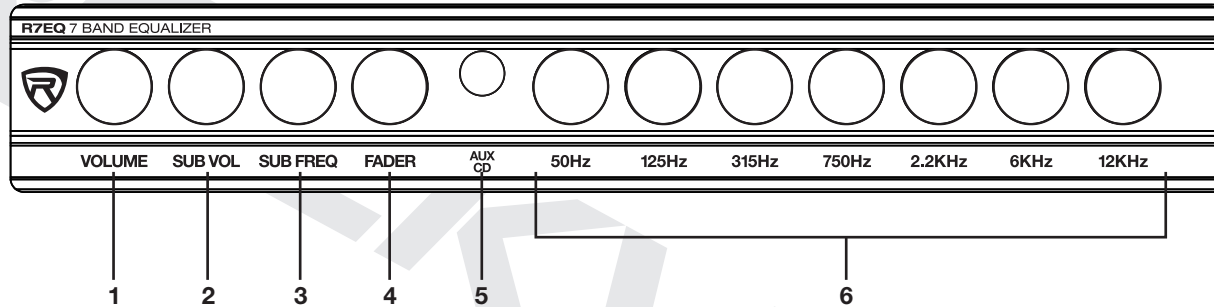
Features / Specifications

- 7 adjustable bands of equalization (50Hz, 125Hz, 315Hz, 750Hz, 2.2KHz, 6KHz, and 12KHz)
- Each band is adjustable from -18dB – +18dB
- Adjustable subwoofer level & frequency controls (40Hz – 250Hz)
- Built in crossover
- Built in 7 volt line driver
- Blue LED lights on each rotary knob
- Front, rear, and sub preamp outputs
- Aux input with gain knob to adjust aux volume
- Strong metal chassis with high quality rotary knobs for all controls
- Amazing quality with low distortion (built with top quality components)
- Frequency response: 20Hz – 20KHz ± 1dB
- S/N Ratio: 101dB
- Crossover rolloff: 18dB per octave
- Input impedance: 10K
- Input sensitivity: 200mv per channel is 7V
- THD: 0.01%
- Input: 12V
- Output: 15V
- Power requirement: 11 – 16V DC
- Unit dimensions in inches: 7.04" x 4.72" x 1.1"

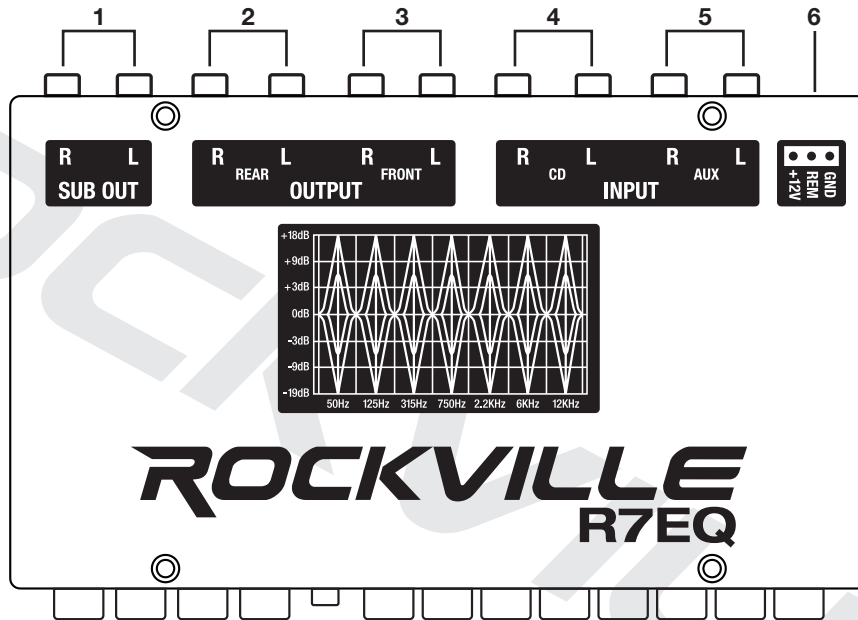
Includes

- Equalizer
- Screws
- Bracket
- Owner manual
- Warranty card

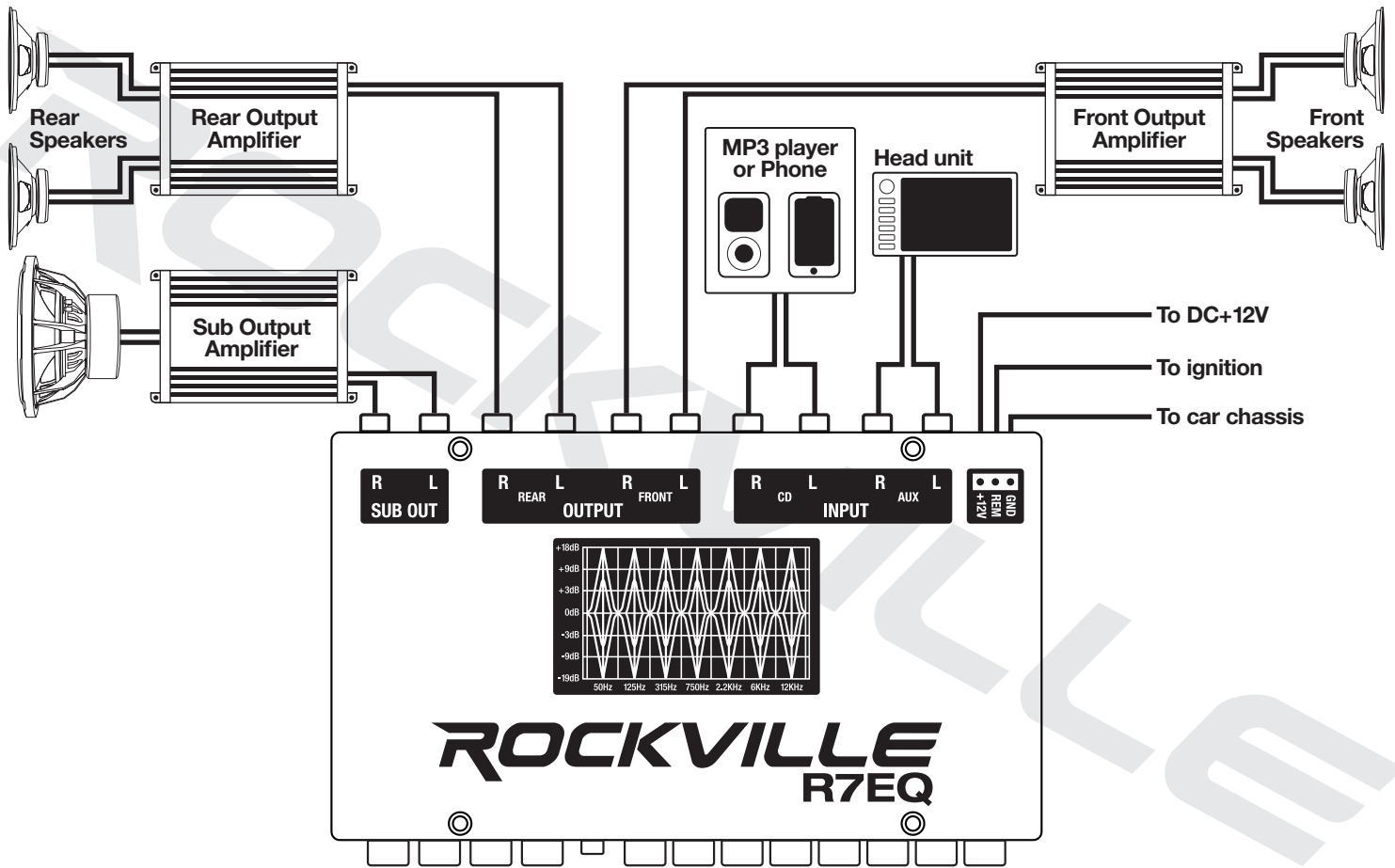
Functions



1. Volume: controls the output level
2. Sub Vol: controls the subwoofer output level
3. Sub Freq: controls the subwoofer frequency from 40Hz to 250Hz
4. Fader: controls the output level between the front and rear speakers in a 4 speaker system
5. Aux/CD: switch between auxiliary and CD input
6. Equalizer controls: controls the frequency boost or cut of the 7 bands



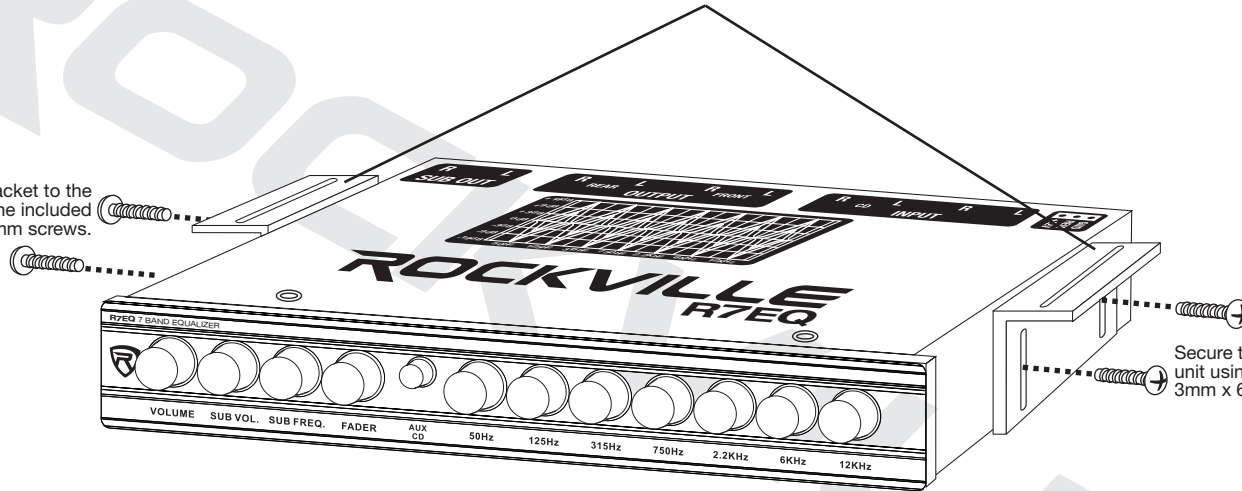
1. Subwoofer output
2. Rear output
3. Front output
4. CD input
5. Auxillary input
6. Power / remote / ground



Mounting Instructions

Surface mounting brackets:
These can be reversed to
meet mounting requirements.
We recommend using #8 metal
screws for mounting to surface.

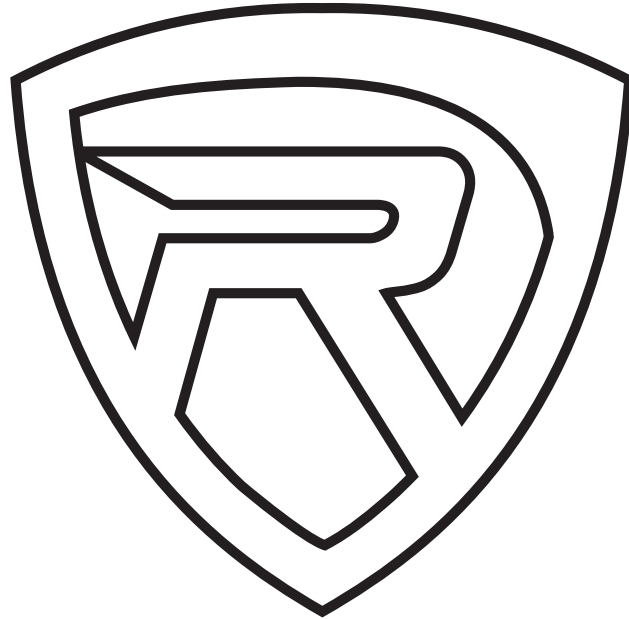
Secure the bracket to the
unit using 2 of the included
3mm x 6mm screws.



Secure the bracket to the
unit using 2 of the included
3mm x 6mm screws.

ROCKVILLE

ROCKVILLE



RockvilleAudio.com

© 2018 ROCKVILLE // Features and specifications are subject to change and or improvement without notice.