

ROCKVILLE

PARTY STAND LED

TRIPOD DJ SPEAKER STANDS w/RGB
LIGHTING and REMOTE CONTROL

OWNER'S MANUAL

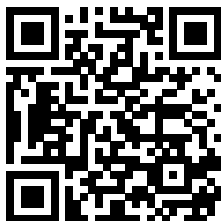
ATTENTION:
VISIT THE ROCKVILLE SUPPORT SITE FIRST!

Who reads manuals?

Scan the **QR code** or go to rockvillesupport.com/party-stand-led to access how-to video(s), assembly video(s), the owner's manual, and other important information you may need to get the most out of your item.

If you prefer written instructions, please read ahead!

With Rockville you get many options.



Missing items? If you ordered a bundle that includes more than one product and you are missing part of your bundle, then it just means your order shipped from two different warehouses. You will receive the remaining items very soon. If you have any concerns or inquiries, feel free to call our customer support center at 1-646-758-0144, Monday through Thursday, 9am to 10pm EST, and Fridays, 9am to 3pm EST.

PARTY STAND LED

PROOF

Thank you for purchasing this Rockville PART STAND LED. Please read this owner's manual carefully for proper use of your stand. Should you need assistance, please call our technical help line at 1-646-758-0144, Monday through Thursday, 9am to 10pm EST, and Fridays, 9:00am to 3pm EST.

INCLUDES

- (2) LED stands
- RF remote
- lighting controller module
- (2) 20 foot cables that go from each LED stand to the controller module
- power supply
- Travel bag to hold both stands
- Owner manual and warranty card

Using this product safely and properly

The indicator symbols shown below are used in this manual and on the stand to ensure proper and safe use of the product, to prevent injuries and avoid damage to surrounding items. Please become familiar with these symbols and their associated information before proceeding to the assembly instructions of this manual.

WARNING



**DO NOT EXCEED INDICATED
MAXIMUM WEIGHT CAPACITY.**



**Do not place this stand on a tall object
or high shelf. If the stand were to fall,
it could cause an injury.**

CAUTION

- This stand is meant for use with speakers **ONLY**. Do not use the stand for other purposes. Improper use of the stand may result in an unstable condition with the potential to cause an injury by falling.
- Assemble the stand on a level surface. Placing the stand on an uneven surface can lead to overturning and result in an injury.
- Do not place the stand where people regularly move past it. Bumping into the stand can cause an injury.
- Place the stand on a solid and level floor. Installing the stand in a location that is unstable can cause it to fall and result in an injury.
- Do not drop or drag the stand when assembling or transporting it. Pushing over or dragging the stand can result in an injury or cause damage to the floor.
- Do not climb onto or hang from the stand. Be especially careful about children trying to do this. If the stand falls over it can cause an injury.

PARTY STAND LED

LOAD CAPACITY: 66 lbs

ADJUSTABLE HEIGHT RANGE: 3.77ft – 6.23ft

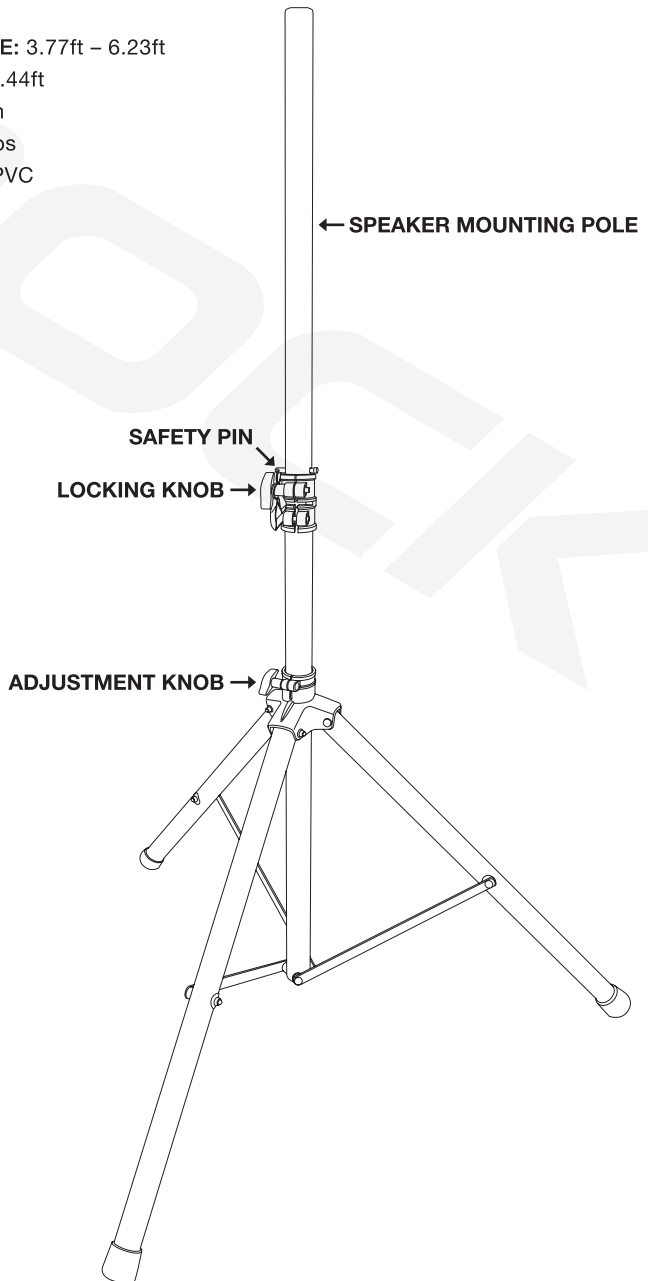
BASE SPREAD DIAMETER: 3.44ft

TOP TUBE DIAMETER: 35mm

TOP TUBE DIAMETER: 5.18Lbs

CONSTRUCTION: Steel and PVC

COLOR: Black



The Rockville PARTY STAND LED is a pair of speaker stands with built-in RGB LED lighting, RF remote control, and lighting controller module. The remote control has a distance of 100 feet and will even control the lights through walls. We also include a lighting controller module which connects to both stands. It has a built-in mic and sensitivity knob allowing you to beat-sync the stands to your music with different LED modes.

To ensure proper use of this product, please carefully read the following instructions and reference to the diagram on the facing page.

Setting up your Rockville speaker stand:

1. Unpack the stand and all accessories.
2. Loosen up the ADJUSTMENT KNOB and spread the legs until the support bars are parallel with the floor.
3. Re-tighten the adjustment knob. Do not overtighten.

How to raise the speaker:

1. Remove the SAFETY PIN.
2. Loosen the LOCKING KNOB and raise the MOUNTING POLE to the desired height.
3. Insert the SAFETY PIN into the appropriate slot to secure the MOUNTING POLE.
4. Tighten LOCKING KNOB at the base of the MOUNTING POLE. Do not overtighten.
5. Carefully place the speaker onto the MOUNTING POLE. Please note: you may need assistance lifting heavier speakers.
6. Tighten the locking knob at the base of the speaker to secure the speaker to the stand.

How to lower the speaker:

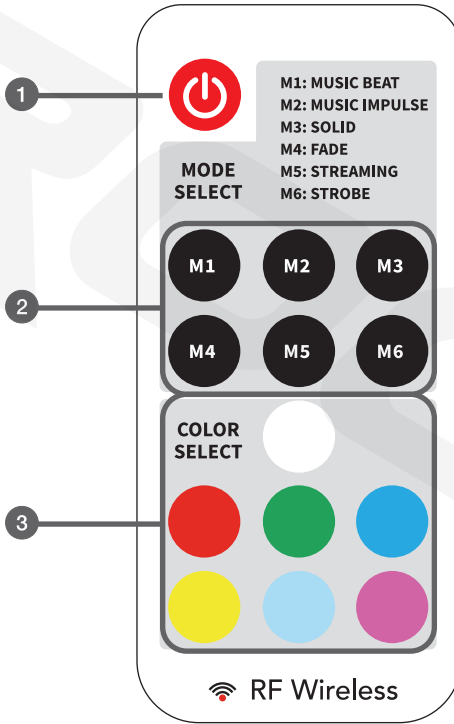
1. Loosen the locking knob at the base of the speaker and remove it from the MOUNTING POLE. Please note: you may need assistance removing heavier speakers.
2. Loosen the LOCKING KNOB.
3. Remove the SAFETY PIN and lower the MOUNTING POLE.
4. Replace the SAFETY PIN.
5. Re-tighten the LOCKING KNOB. Do not overtighten.

Breaking Down your Rockville speaker stand:

1. Make sure the MOUNTING POLE is in the lowest position, that the SAFETY PIN is in place, and that the LOCKING KNOB is tightened.
2. Loosen the ADJUSTMENT KNOB and retract the legs until they are fully vertical and parallel with the stand shaft.
3. Tighten the ADJUSTMENT KNOB, do not overtighten.

PARTY STAND LED

REMOTE CONTROL FUNCTIONS



1.  : Power

2. LED modes

M1 - Music Beat Mode: the LEDs will light to the beat of the music. By default the LEDs will cycle through all colors. To select a single color, use the color select buttons.

M2 - Music Impulse Mode: the LEDs will pulse to the beat of the music. By default the LEDs will cycle through all colors. To select a single color, use the color select buttons.

M3 - Solid Mode: the LEDs will remain lit. By default the LEDs will cycle through all colors. To select a single color, use the color select buttons.

M4 - Fade Mode: the LEDs will fade in and out. By default the LEDs will cycle through all colors. To select a single color, use the color select buttons.

M5 - Stream Mode: the LEDs will gradually cycle through all the colors.

M6 - Strobe Mode: the LEDs will fade in and out. By default the LEDs will cycle through all colors. To select a single color, use the color select buttons.

3. Individual colors

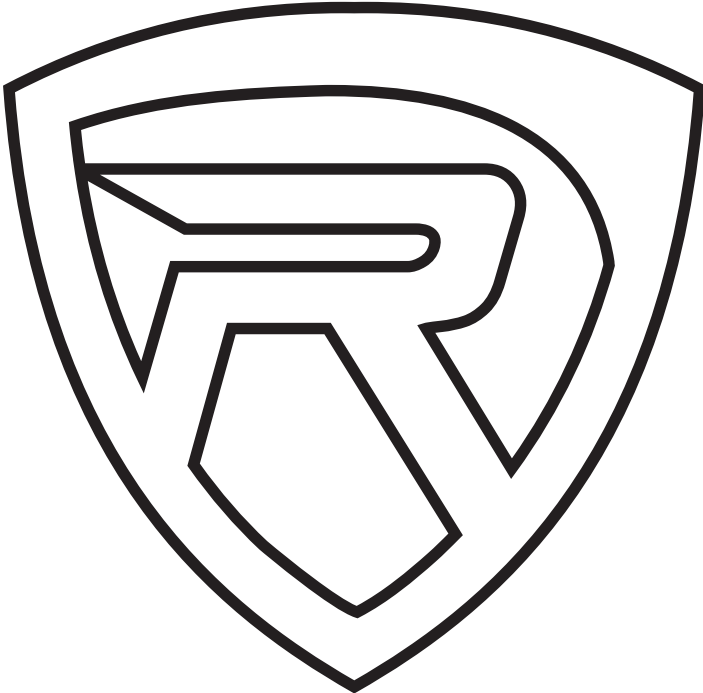
LIGHTING CONTROLLER

The lighting controller module connects to both stands via individual 20 foot cables. The built-in mic and sensitivity knob allow you sync the stands to your music with two sound activated modes.

1. Connect a controller cable to each of the stands.
2. Connect the other end of the cables to the lighting controller module.

FEATURES/SPECIFICATIONS

- Standard 35mm pole mount is compatible with any standard PA speaker on the market
- Material: Steel and Polycarbonate
- Includes RF remote
- 4 Dynamic modes:
 - Solid color (selectable from remote)
 - Waterfall effect
 - Fade (variable color)
 - Strobe (variable color)
- 2 Sound activated modes:
 - Strobe (variable color)
 - Spectrum analyzer mode (variable color)
- 7 Static color options + multi color
- Includes lighting controller with sensitivity knob that connects to both stands
- (2) stands always stay in sync
- Remote distance 50 – 100 feet (even through walls)
- Power requirement for stand: 12V/2A
- Non-slip rubber feet
- 5 levels of height adjustment with a locking knob and safety pin
- Adjustable tripod legs
- Diameter of Opened Legs: 3.44 ft. width/diameter all around
- Tube Diameter: 1.38 inches
- Leg Diameter: 1.38 inches
- Stand Weight: 5.5Lbs



RockvilleAudio.com

© 2021 ROCKVILLE // Features and specifications are subject to change and/or improvement without notice.