

# ROCKVILLE

## ONE-BAR

36" SOUNDBAR w/BUIL-IN SUBWOOFER

### OWNER'S MANUAL

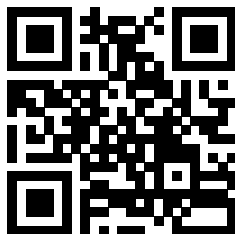
**ATTENTION:  
WATCH THIS VIDEO BEFORE FIRST USE!**

#### *Who reads manuals?*

Scan the **QR code** or go to **rockvillesupport.com/SKU** to access how-to video(s), the owner's manual, and other important information you may need to get the most out of your item.

**If you prefer written instructions, please read ahead!**

*With Rockville you get many options.*



**Missing items?** If you ordered a bundle that includes more than one product and you are missing part of your bundle then it just means your order shipped from two different warehouses. You will receive the remaining items very soon. If you have any concerns or inquiries, feel free to call our customer support center at 1-646-758-0144, 24hours a day/7 days a week.

Thank you for purchasing this Rockville product. Please read this installation guide carefully for proper use of your Rockville ONE-BAR 36" Soundbar. Should you need assistance, please call our technical help line at 1-646-758-0144, 24 hours a day/7 days a week.

### **INCLUDES:**

- Soundbar with built-in Subwoofer
- Remote control
- 3.5mm to RCA cable
- (2) AAA batteries
- Wall-mount hardware kit
- Owner's manual

---

## **IMPORTANT SAFETY INSTRUCTIONS**



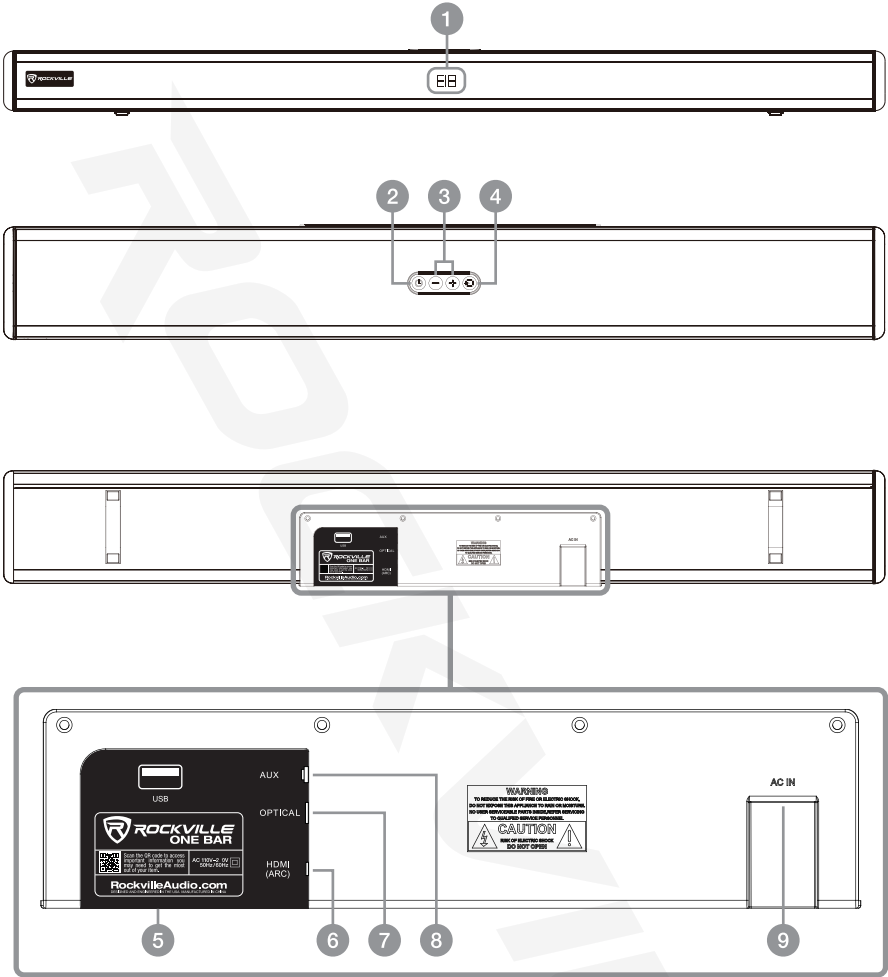
**TO REDUCE THE RISK OF ELECTRICAL SHOCK, DO NOT REMOVE AMPLIFIER PLATE. NO USER-SERVICEABLE PARTS INSIDE. WE RECOMMEND TAKING THE UNIT TO A QUALIFIED SERVICE TECHNICIAN FOR ANY REPAIRS.**

---

This soundbar was especially developed for LED/LCD/Plasma televisions. It should not be used in combination with CRT (Cathode Ray Tube) televisions to avoid image interference.

- Do not place on an unstable surface. The speaker may fall over, causing serious injury to a child or adult and serious damage to the unit.
- Do not use near water; for example, near a bathtub, sink, in a wet basement, or near a swimming pool.
- The soundbar should be situated away from heat sources such as radiators, heat registers, stoves, or other devices that produce heat.
- These speakers should be connected to a power supply outlet of the same voltage as that which is specified on the unit. Protect the power cord from being walked on or pinched, particularly at plugs, convenience receptacles, and the point where it exits from the unit.
- Clean only with a soft, damp cloth. Unplug this product from the wall outlet before cleaning.
- Upon any servicing or repairs, request the service center/shop uses factory-authorized replacement parts. Replacement with unauthorized parts may result in fire, electrical shock, or other hazards.

# FUNCTIONS

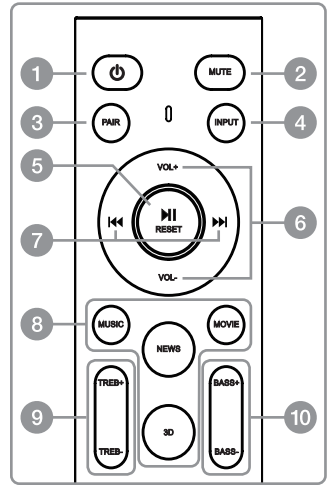


1. Display
2. Power/Standby button
3. Volume +/- buttons
4. Input source button
5. USB input
6. HDMI (ARC)
7. Optical input
8. AUX input
9. AC Power input: 110/230v~60/50Hz

## FUNCTIONS (continued)

### REMOTE CONTROL

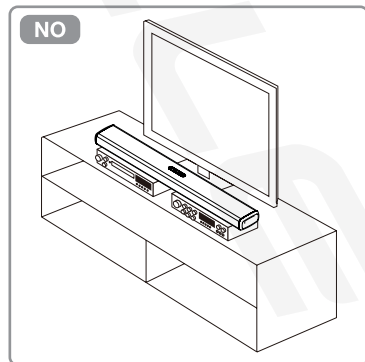
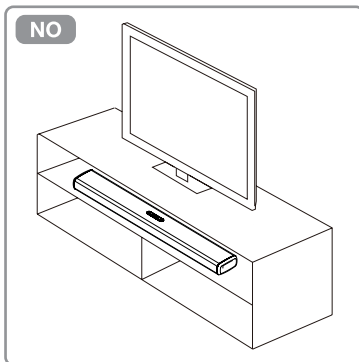
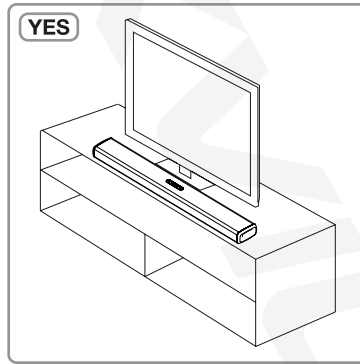
1. Press for power on/off or stand-by mode.
2. Mute
3. Pair: Press and hold for 3 sec. to connect to or disconnect from paired device.
4. Input: Press to select input source — AUX, Optical, HDMI (ARC), BT, and USB.
5. Play/pause in USB/BT modes
6. Increase/Decrease volume setting
7. Next track/Previous track in USB/BT modes
8. Preset EQs: Music, Movie, News, 3D
9. Increase/Decrease treble setting
10. Increase/Decrease bass setting



## MOUNTING INSTRUCTIONS

### SURFACE MOUNT

Be sure to mount the ONE-BAR on a flat and stable surface. For best sound do not place the soundbar in any type of enclosed space. Do not mount on top of stereo equipment as it may radiate excessive amounts of heat, which can cause damage to the soundbar.



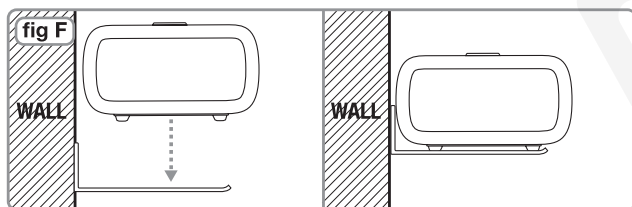
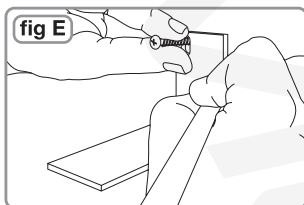
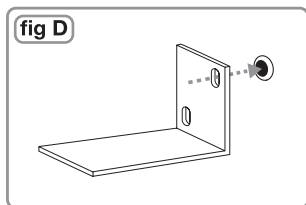
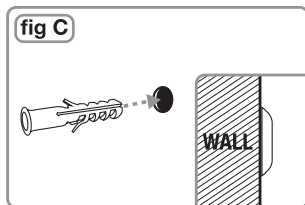
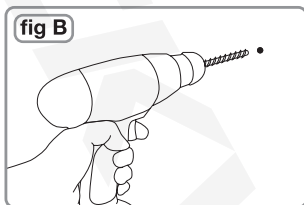
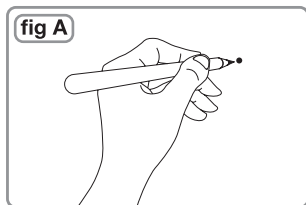
## MOUNTING INSTRUCTIONS (continued)

### WALL MOUNT

To wall mount your ONE-BAR, you will need a drill, drill bits, a phillips head screw driver, and a pencil or pen.

The first step is to determine the mounting location and mark it with a pencil or pen (fig A). Use the drill and an appropriate size bit drill your first hole (fig B). Make sure that the hole is deep enough to accommodate the anchor. Push the anchor into place (fig C), ensuring that it is flush with the wall as shown in the inset. Place the wall bracket against the wall and line it up with the anchor (fig D). Insert a screw to maintain the alignment and mark the location of the second hole using a pencil or pen (fig E). Repeat these steps for the second wall bracket. Before installing the second bracket, measure the distance between the bottom of the TV and the base of the bracket. Mount the second bracket at this height to ensure that aligned with the other bracket. We recommend mounting the brackets between 28 to 30 inches apart. Once both brackets are attached to the wall, place the ONE-BAR on top of the brackets (fig F).

**!** For more information on how to setup your ONE-BAR, check out the Rockville support site: [rockvillesupport.com/one-bar](http://rockvillesupport.com/one-bar).



## OPERATION

### DISPLAY SCREEN INDICATORS

bt: Bluetooth mode

Opt: Optical mode

USb: USB mode

Hd: HDMI (ARC) mode

AU: AUX mode

E1: Music mode

E2: Movie mode

Volume values: 00 – 44. Factory volume setting is 10.

## **OPERATION** (continued)

### **BLUETOOTH PAIRING**

1. Power on the ONE-BAR and press the INPUT button on the ONE-BAR or on the remote control. The LCD display will read “bt” and the letters will flash steadily.
2. Turn on the Bluetooth feature on your device and ensure that it is in discoverable mode. Search for “ONE-BAR” on your list of available devices and select it.
3. Once paired, you will hear a tone and the letters “bt” on the LCD display will stop flashing and remain on.
4. All playback functions (play/pause, volume, tracks) can be controlled from your playback source (ex. phone/MP3 player) without ever having to touch the unit. You can also control playback from the ONE-BAR (volume) or the remote control (volume, tracks, play/pause).

#### **Please note:**

- If you are using an iPhone, iPad, or iPod, the volume controls are synced so that if you raise the volume on your device, it will raise the volume on the unit and vice versa. If using an Android device, you will need to adjust the device's volume and the ONE-BAR's volume independently.
- The ONE-BAR will remember and automatically connect to the last paired device when the soundbar is powered on or the device is within range (32 ft).
- If a paired device is manually shut off or disconnected, the soundbar will automatically reenter pairing mode.
- There is no automatic shutdown in pairing mode. The soundbar will remain in pairing mode even if no device is paired, so switch it off if not in use.

### **OPTICAL**

Many TVs, digital set-top boxes, game consoles, and DVD players have optical (fiber optic) outputs. To connect via Optical input, follow the steps listed below.

1. Use a digital optical audio cable to connect the ONE-BAR to the sound source. If you are using a TV, go into your TV's audio settings and make sure to deactivate Dolby Pro Logic, Dolby ATMOS, etc. and select PCM format.
2. Power on the sound source and the ONE-BAR. Press the INPUT button on the soundbar's control panel or on the remote control. If it is properly connected, the LCD display will show the letters “OP”.
3. Once connected, the unit will automatically turn on when you turn on your TV. You will need to adjust the TV's volume and the ONE-BAR's volume independently.

### **HDMI (ARC)**

The ONE-BAR can be connected to your TV or receiver via an ARC-enabled HDMI port. ARC stands for “Audio Return Channel” and has been available on most TVs, receivers, and soundbars since the HDMI 1.4 standard was introduced in 2009. The ARC protocol offers two-way communication between devices over a single HDMI connection. Simply put, this means that you can use the HDMI ARC port (if available) as an input and an audio output. Check your specific device's manual to see if it features an HDMI ARC port.

1. Connect a standard HDMI cable to your soundbar and connect the other end to your TV's HDMI ARC port. Most TVs feature ARC output over only one

## **OPERATION** (continued)

HDMI port. This port should be labeled as HDMI ARC. If the HDMI ports aren't clearly labeled, you can check the TV manual, which should indicate which HDMI port to use and if the ARC feature needs to be manually activated.

2. Power on the TV and the ONE-BAR. Press the INPUT button on the soundbar's control panel or on the remote control. If it is properly connected, the LCD display will show the letters "Hd".
3. Once connected, the soundbar volume will sync with your TV volume and the unit will automatically turn on when you turn on your TV.

### **Please note:**

- The ONE-BAR must be plugged into an ARC-enabled HDMI port. It will not work with a standard HDMI port. Check your specific device's manual to see if it features an HDMI ARC port.
- If you are having issues with sound output, go into your TV's audio settings and make sure to deactivate Dolby Pro Logic, Dolby ATMOS, etc. and select PCM format.

## **USB**

1. Power on the ONE-BAR and plug in your USB flash drive. The unit will automatically begin playing music and the LCD will show the letters "US".
2. You can control playback from the ONE-BAR (volume) or the remote control (volume, tracks, and play/pause).
3. To exit USB mode you can remove your USB flash drive or press the INPUT button on the soundbar or the remote to select another mode.

### **Please note:**

- The ONE-BAR supports USB drives up to 32Gb and the MP3 file format only. It does not support charging.
- Connecting a USB drive will override other input modes.

## **AUX**

Use the 3.5mm AUX jack to connect computers or any other external sound source with a 3.5mm output or RCA outputs.

1. Use a 3.5mm-to-3.5mm cable or, if the sound source has RCA outputs, use the included RCA-to-3.5mm cable to connect the ONE-BAR to the source.
2. Power on the ONE-BAR. Press the INPUT button on the soundbar or on the remote. The LCD display will show the letters "AU".
3. You will be able to control volume from the soundbar or the input device. Playback functions (play/pause, tracks) are not available in AUX mode and can be controlled from the input device.

**Please note:** For some computers, you will have to enter the sound settings and set the ONE-BAR as the output device.

**!** For more information on how to setup your ONE-BAR, check out the Rockville support site: [rockvillesupport.com/one-bar](http://rockvillesupport.com/one-bar).

## FEATURES

- 36" 400W soundbar with integrated subwoofer
- 400 watts peak power/80 watts RMS power (continuous)
- Integrated subwoofer and recessed input panel for a clutter-free setup and easy installation
- Built-in Bluetooth version 5.0 with 32-foot range
- Bluetooth can pair with any Alexa device
- HDMI (ARC) Input\*
- Optical input
- 3.5mm input
- USB digital input
- 2.1 channel stereo sound to deliver a cinematic experience
- LED display shows volume and track
- PCM decoder
- USB input plays back music stored on a thumb drive (up to 32 GB, MP3 format only)
- Powered by a digital amplifier with DSP for audiophile sound quality
- DSP modes: Music, Movie, 3D, News
- Volume, bass, treble controls via the included remote control
- Includes wall brackets and mounting hardware
- Recessed input panel makes it easy to plug in your device(s)
- No distortion even at max volume
- When you use HDMI or optical the volume will sync with your TV volume and the unit will automatically turn on when you turn on your TV
- When you use Bluetooth the volume syncs with your phone's volume (iPhones only)
- Frequency response: 60Hz – 20KHz
- S/N ratio: 72dB
- 110/220-volt auto-switching power supply for use worldwide
- Unit weight: 5.95Lbs
- Soundbar Dimensions (H x W x L): 2.6" x 4.5" x 36"

\* See HDMI (ARC) description on page 6



## TROUBLESHOOTING

PROBLEM	SOLUTION
No power	1. Make sure the ONE-BAR is plugged in and turned-on.
No sound	1. Check all connections. 2. Make sure you've selected the proper input source. 3. Make sure the volume is set properly on the unit and at the playback source. 4. Check the input device's audio settings.
No sound when receiving TV input	1. Make sure that all connections are secure. 2. If using HDMI, make sure that the TV has a dedicated HDMI ARC port. 3. Make sure you've selected external speakers in your TV's sound output settings. 4. Deactivate Dolby Pro Logic, Dolby ATMOS, etc. and select PCM in your TV's sound format settings. 5. Make sure the volume is set properly on the unit and at the television.
Bluetooth pairing fails	1. Check to see that both devices are turned on and that your Bluetooth device is discoverable. 2. Turn both devices off and then on again. 3. Make sure you've selected the proper source. 4. Make sure that the Bluetooth device is within 5 feet of the unit. 5. Move both devices away from other Bluetooth devices, microwaves, wireless routers, and other electronics. 6. Make sure that the unit is not paired to a previously paired device.
Files on USB memory device will not playback	1. Make sure you've selected the proper source. 2. Make sure the drive is formatted as FAT32. 3. Make sure that the audio files are in the MP3 format. 4. Make sure the memory device capacity is no more than 32GB.

**!** For more information on how to setup your ONE-BAR, check out the Rockville support site: [rockvillesupport.com/one-bar](http://rockvillesupport.com/one-bar).

# FEDERAL COMMUNICATIONS COMMISSION COMPLIANCE INFORMATION

Responsible party name: Rockville

Address: 600 Bayview Ave,  
Entrance A,  
Inwood, NY 11096

Hereby declares that the product Rockville ONE-BAR complies with FCC rules as mentioned in the following paragraph:

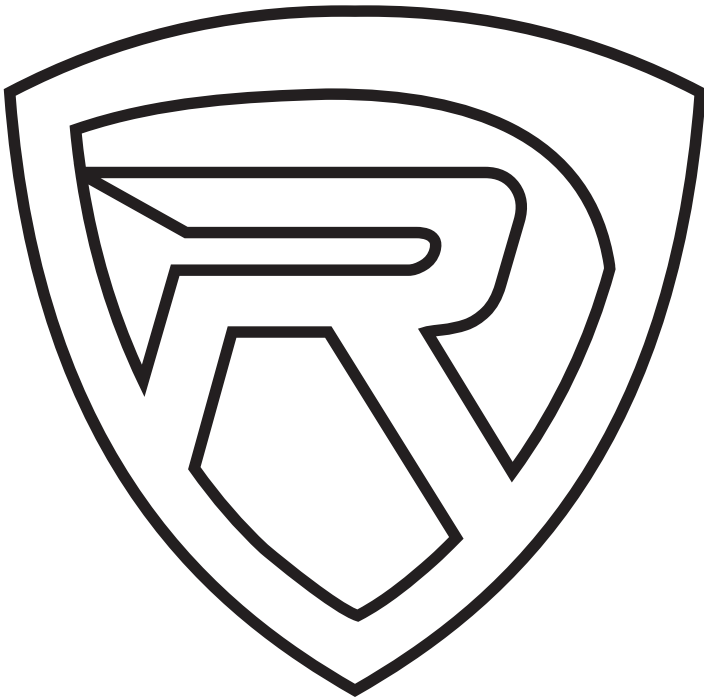
This device complies with Part 15 of the FCC rules. Operation is subject to the following two conditions: (1) this device may not cause harmful interference, and (2) this device must accept any interference received, including interference that may cause undesired operation.

Note: This equipment has been tested and found to comply with the limits for a Class B digital device, pursuant to Part 15 of the FCC rules. These limits are designed to provide reasonable protection against harmful interference in a residential installation. This equipment generates, uses and can radiate radio frequency energy and, if not installed and used in accordance with the instructions, may cause harmful interference to radio communications. However, there is no guarantee that interference will not occur in a particular installation. If this equipment does cause harmful interference to radio or television reception, which can be determined by turning the equipment off and on, the user is encouraged to try to correct the interference by one or more of the following measures:

- Reorient or relocate the receiving antenna.
- Increase the separation between the equipment and receiver.
- Connect the equipment to an outlet on a circuit different from that to which the receiver is connected.
- Consult the dealer or an experienced radio/TV technician for help.

ROCKWELL

***ROCKVILLE***



**RockvilleAudio.com**