



Mac Swivel

360° ROTATION SWIVEL CLAMP MOUNTS

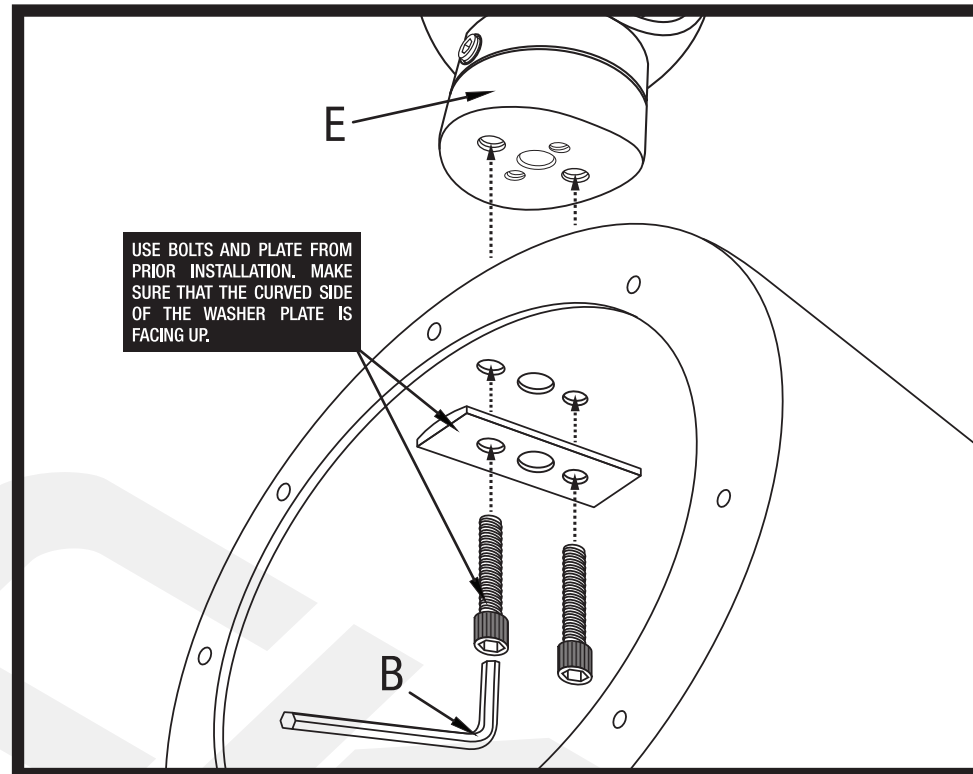
ASSEMBLY GUIDE

Thank you for purchasing these Mac Swivel 360 Degree Rotation Swivel Clamp Mounts. Please read these instructions carefully before use. Make sure all parts are included. If any parts are missing please contact our technical help line at 1-646-758-0144, Monday through Friday, 9am to 5pm EST.

A		1 pc.
B		1 pc.
C		4 pcs.
D		4 pcs.
E		2 pcs.
F		8 pcs.

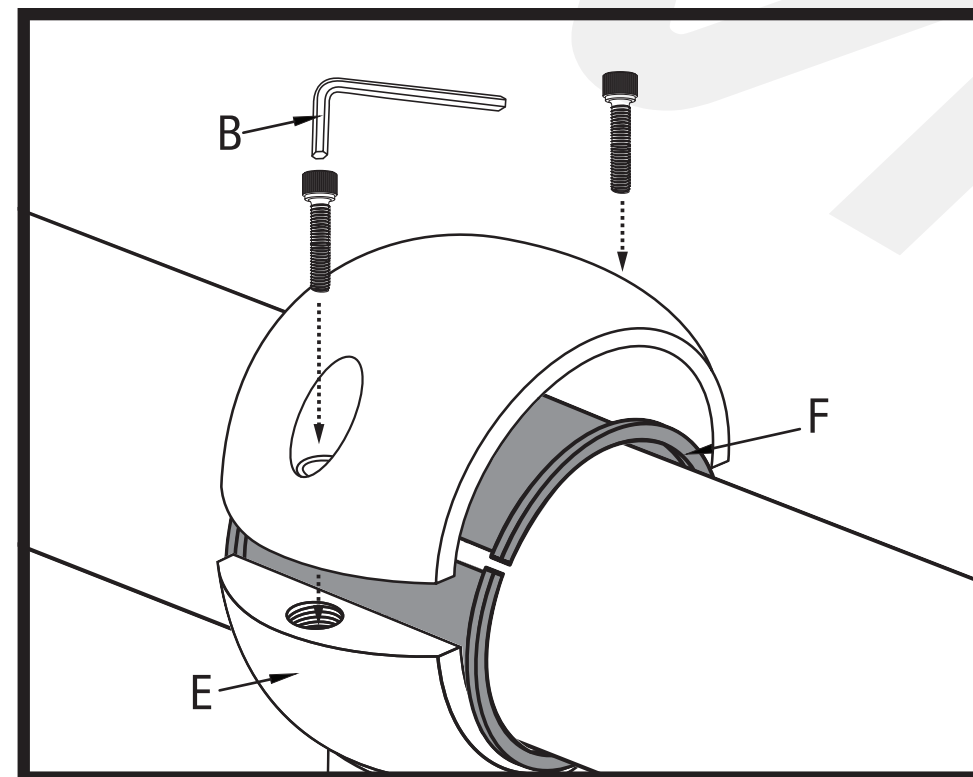
STEP 1

Remove the speaker, wire, and clamp from you MAC can. Attach the swivel clamp to the top of the can using the washer plate & allen bolts (from previous installation), and the larger of the two allen wrenches (B).



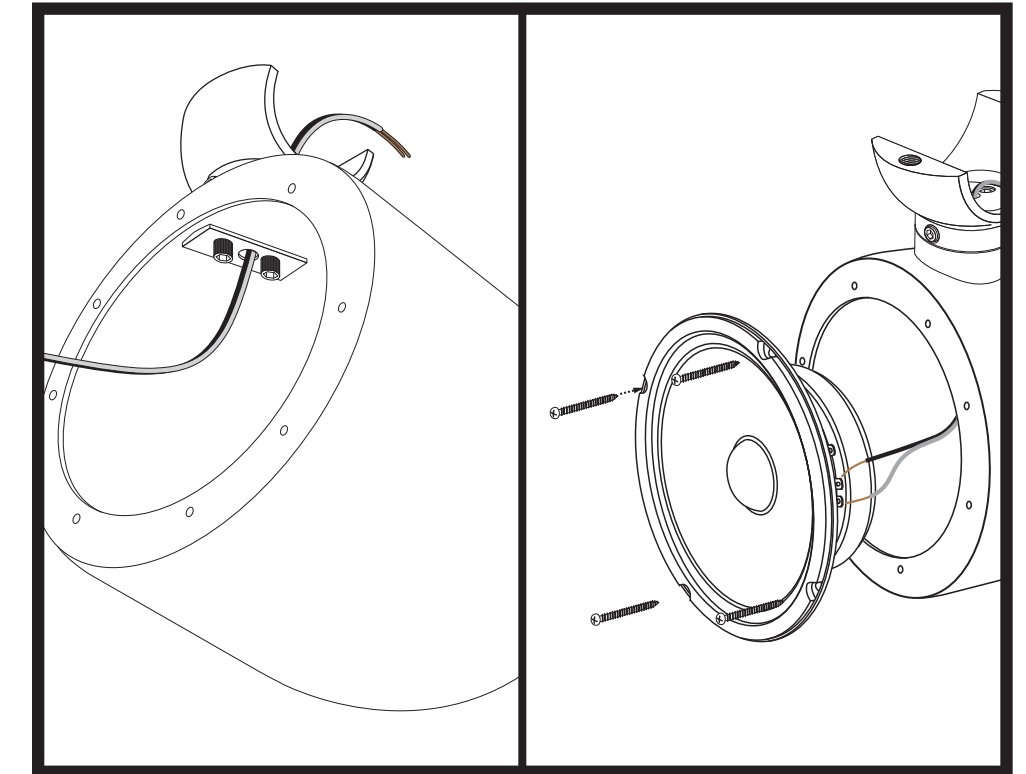
STEP 3

Place the bottom half of the swivel clamp below the wake tower pole. If your wake tower has predrilled holes for routing speaker cables, insert the them at this time. Place the top half of the clamp over the wake tower pole and attach to the lower half using 2 of the 4 included allen bolts. If the clamp does not fit snugly, use one of the 4 included rubber inserts. Do not overtighten the bolts.



STEP 2

Thread the speaker wire through the predrilled center hole and reinstall the speaker



STEP 4

To rotate the speaker, loosen the recessed allen screws located at the front and the rear of the clamp base using the smaller of the two included allen wrenches (A). Turn the speaker can to the desired angle, then tighten both allen screws. Do not overtighten.

