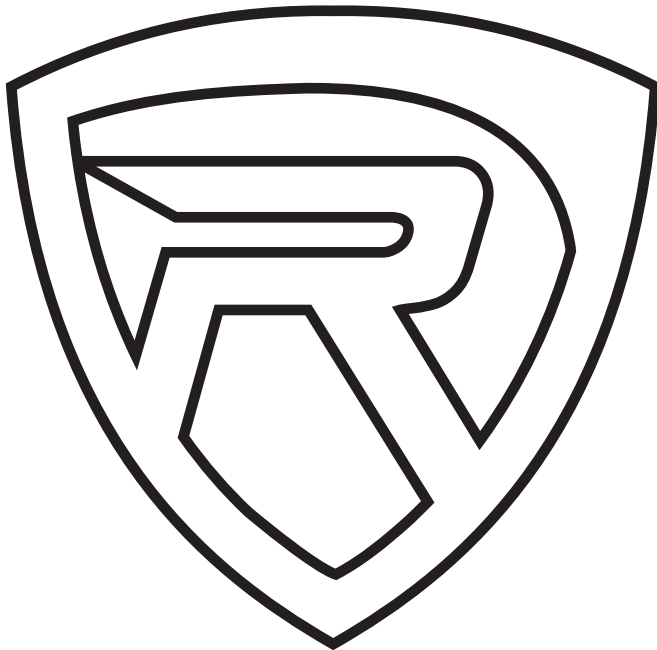


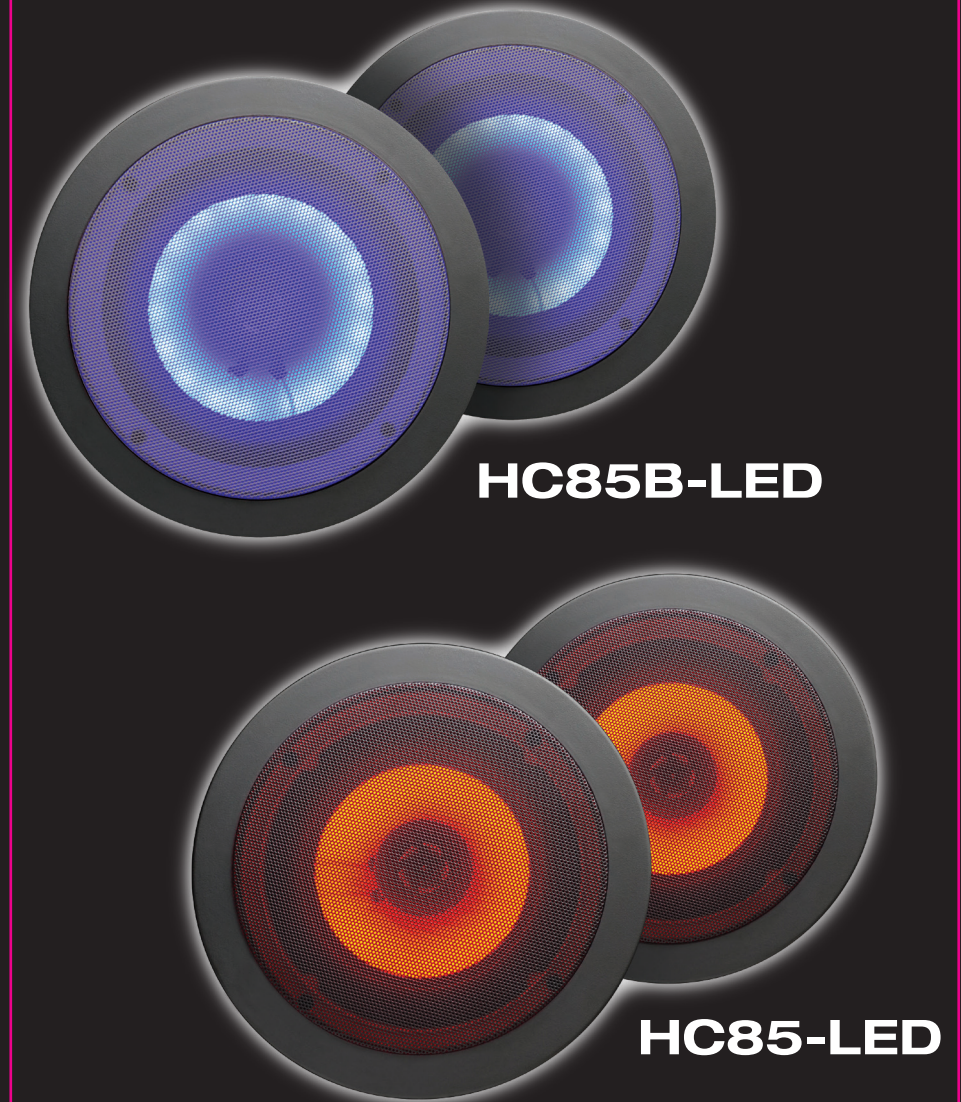
ROCKVILLE

ROCKVILLE



RockvilleAudio.com

© 2019 ROCKVILLE // Features and specifications are subject to change and/or improvement without notice



HC85B-LED

HC85-LED

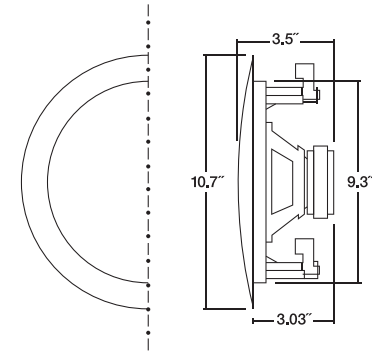
HC85-LED/HC85B-LED
8" 700 Watt 2-Way In-Ceiling Home Theater Speakers w/LED

Thank you for purchasing these HC85-LED/HC85B-LED 8" speakers with LED lighting. Please read this guide carefully for proper use of your Rockville HC85-LED/HC85B-LED. Should you need technical assistance, please call our technical help line at 1-646-758-0144, Monday through Friday, 9am to 5pm EST.

Features/Specifications

- Pair of Rockville HC85-LED/HC85B-LED 8" White 700 Watt 2-Way In-Ceiling Home Theater Speakers w/LED
- Peak Power: 350 Watts (per speaker)/700 Watts (per pair)
- RMS Power: 120 Watts (per speaker)/240 Watts (per pair)
- Available with Red (HC85-LED) or Blue (HC85B-LED) LED.
- LED requires no extra installation – just regular speaker wire to your amp or receiver
- LED pulsates to the signal of the music or movie (the louder you make it the brighter the LED will go)
- LED lighting combined with yellow Kevlar cone creates a cool color effect
- Kevlar Cone
- Rubber Surround
- 8" Woofer
- 1" Aluminum Voice Coil
- 1/2" Mylar Dome Tweeter
- 20oz. Ferrite Magnet
- High Quality Spring Loaded Push Terminals
- Paintable Flush Mount Grills
- Frequency Response: 40Hz – 20KHz
- Sensitivity: 89dB @ 1w/1m
- Impedance: 8 Ohms
- Mounting Depth: 3.03"
- Cut-out Diameter: 9.3"
- Color: White (paintable)

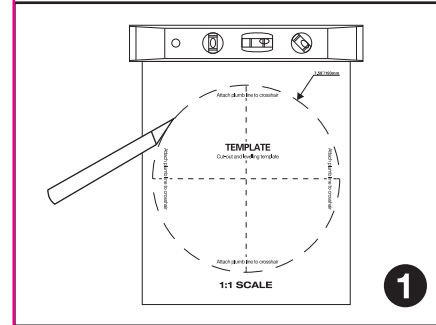
Dimensions



Installation

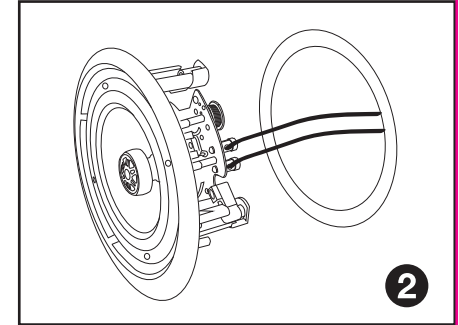
Tools needed:

- Dry wall knife
- Level
- Phillips head screwdriver

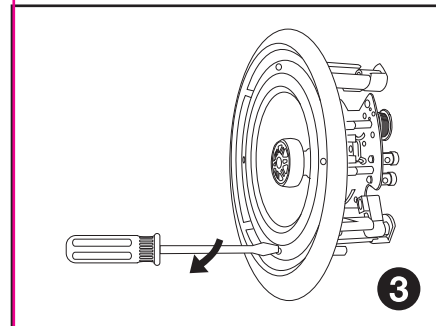


Using the included template, cut an opening in the drywall.

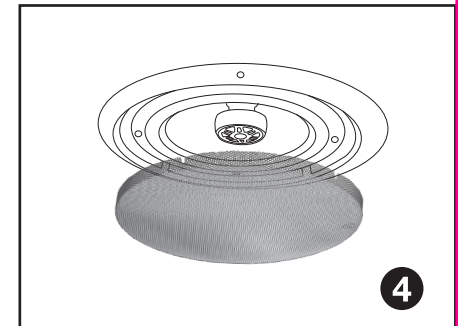
Note: Always allow at least 1/2" between a wall stud and the speaker cutout or the locking tabs will not be able to swivel into place.



Connect the speaker wires.



Screw down each of the four Phillips head screws. The locking tabs will swivel into place and secure the unit to the rear surface of the drywall. Put in the strips of adhesive to secure the grille.



Replace the metal grille.