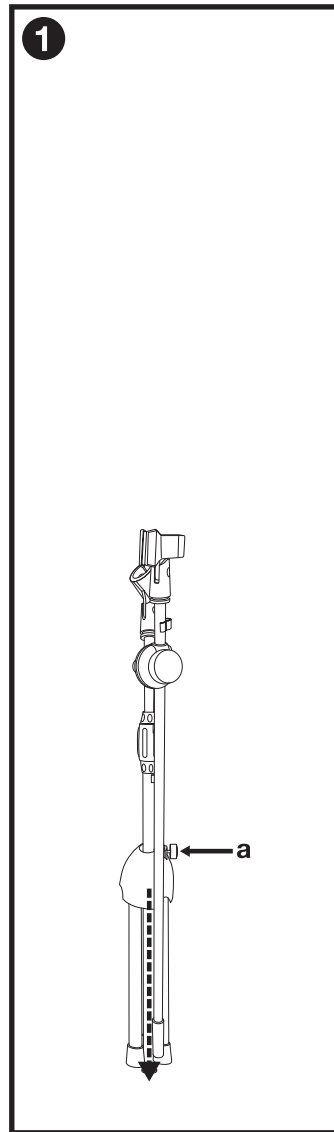
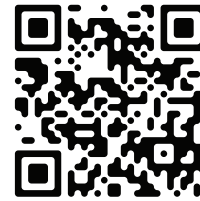


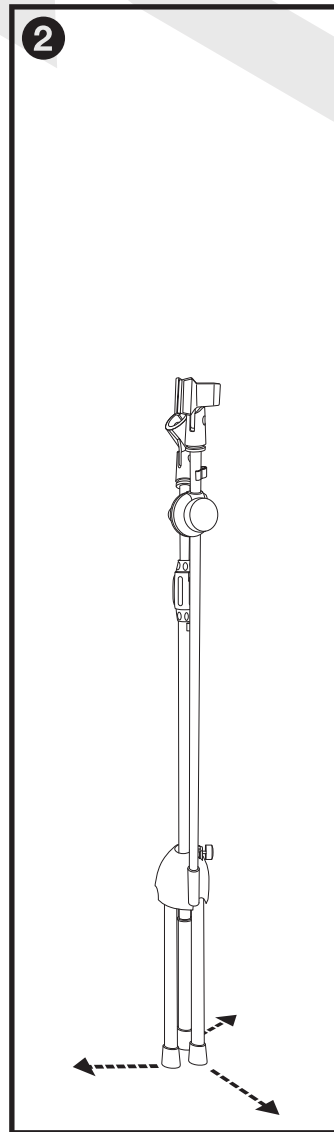
ROCKVILLE

GIGSTAND DUAL OWNER'S MANUAL

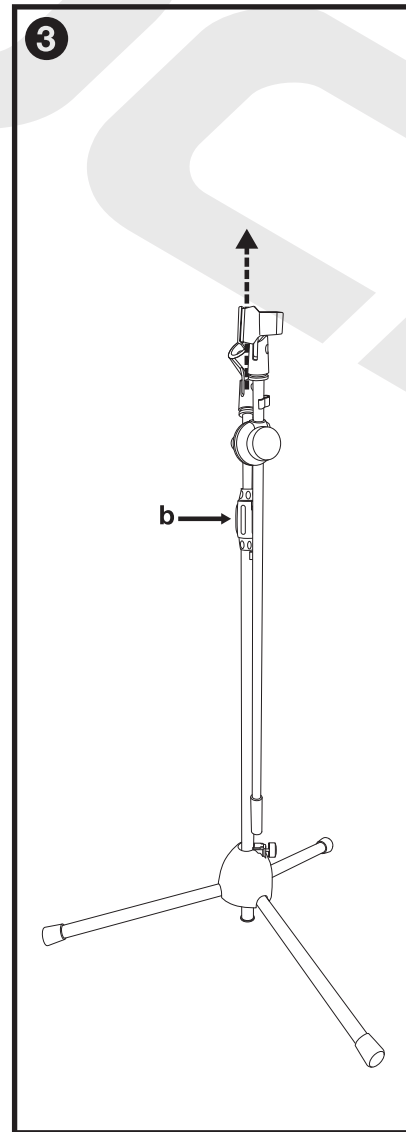
Thank you for purchasing this Rockville GIGSTAND DUAL. Please read these instructions carefully for proper use of your GIGSTAND DUAL Microphone Stand. Alternately, you can scan the QR code or go to rockvillesupport.com/gigstand-dual to access how-to video(s), the owner's manual, and other important information you may need to get the most out of your item. Should you need assistance, please call our technical help line at 1-646-758-0144, 24 hours a day/7 days a week.



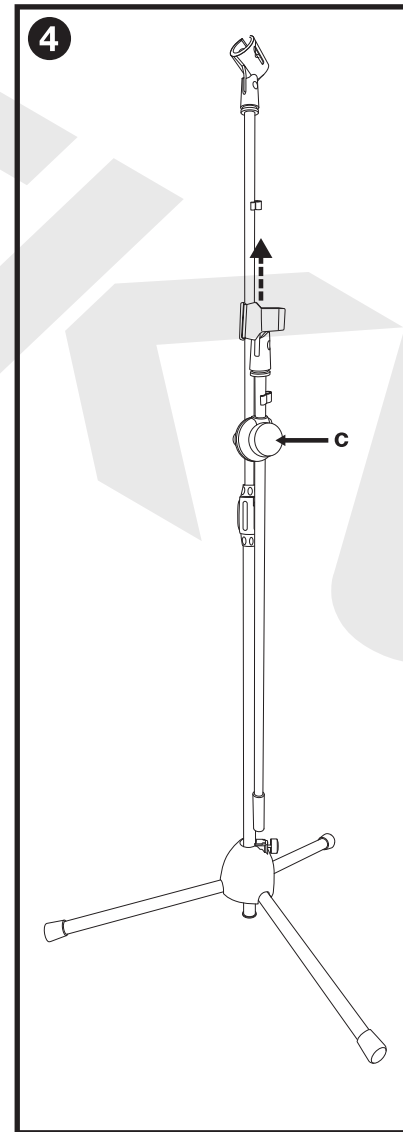
1 Loosen the leg assembly locking knob (a) and pull the assembly all the way down. Tighten the locking knob. Do not overtighten.



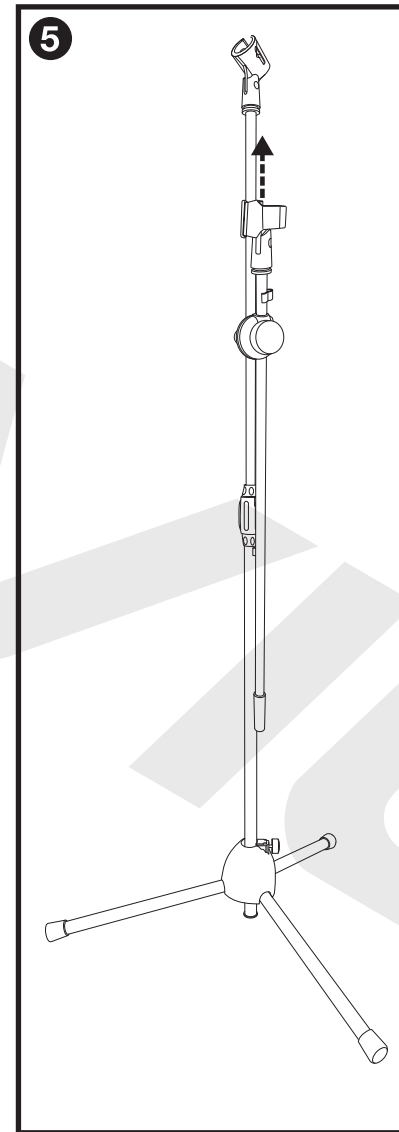
2 Pull the legs outwards until they are fully extended.



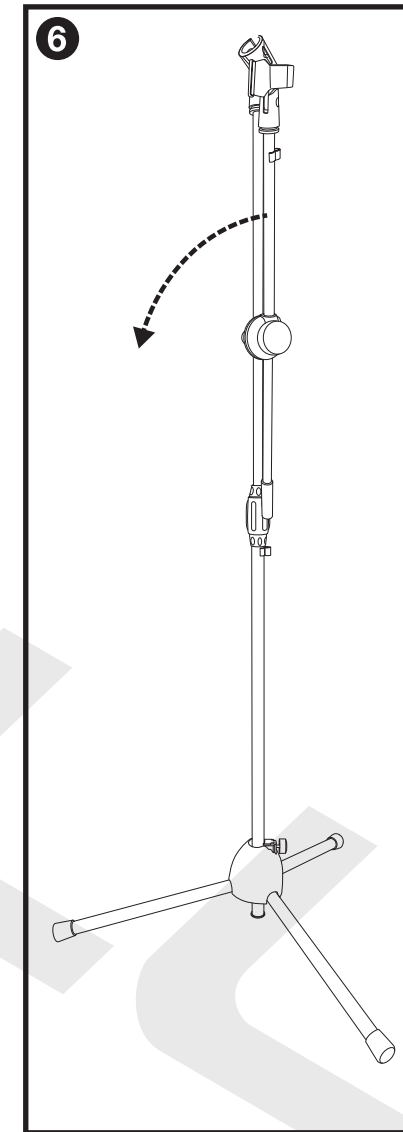
3 Loosen the retaining clamp (b) and pull the extension upwards to the desired height. Tighten the retaining clamp. Do not overtighten.



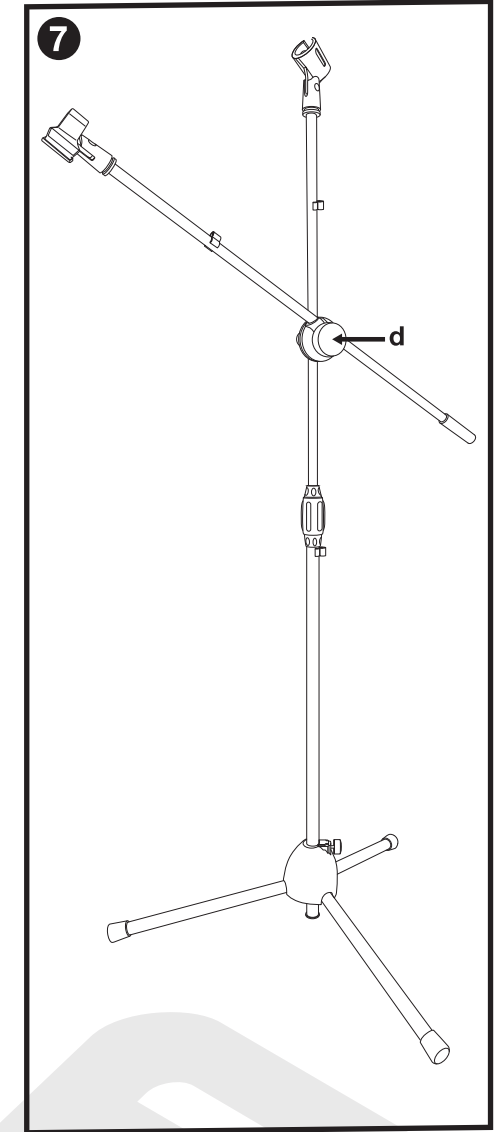
4 Loosen the boom arm locking knob (c) and pull the boom arm assembly upwards to the desired height. Partially tighten the locking knob.



5 Adjust the height of the boom arm.



6 Adjust the angle of the boom arm.



7 Make any necessary final adjustments and fully tighten the locking knob (d).

RockvilleAudio.com

© 2022 ROCKVILLE // The information presented is subject to change and/or improvement without notice