

WHO READS MANUALS?

Scan the QR code or go to URLs to access how-to video(s), the owner's manual, and other important information you may need to get the most out of your item.

If you prefer written instructions, please read ahead!

With Rockville you get many options.




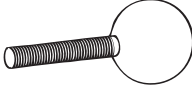
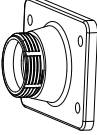




rockvillesupport.com/cube-black



rockvillesupport.com/cube-white

Thank you for purchasing these CUBE 3.5" Speakers with Swivel Mounting Brackets. Please read these instructions carefully before use. Make sure all parts are included. If any parts are missing or you need assistance, please contact our technical help line at 1-646-758-0144, 24 hours a day/7 days a week.

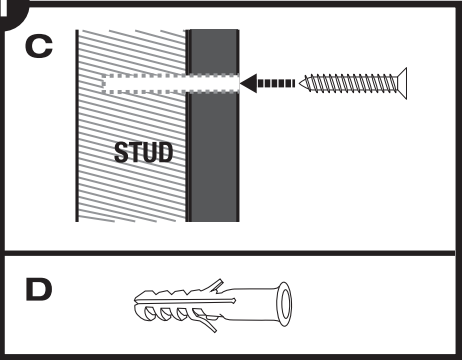
Included

molded nut	ball shaft	mounting bracket	safety cable	metal bar	screws	lock nut
 x2	 x2	 x2	 x2	 x1	 x8	 x2

Tools needed:

- Phillips-head screwdriver
- Small flat-head screwdriver
- Drill
- Adjustable wrench

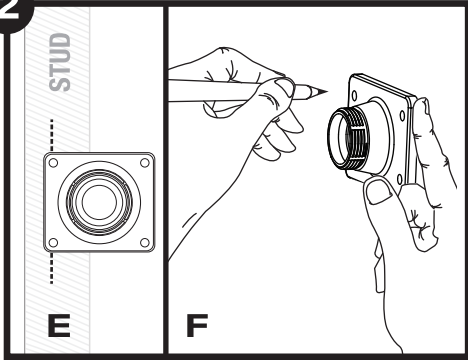
1



C
STUD

D

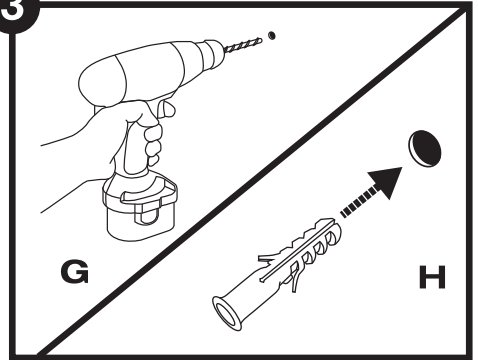
2



E
STUD

F

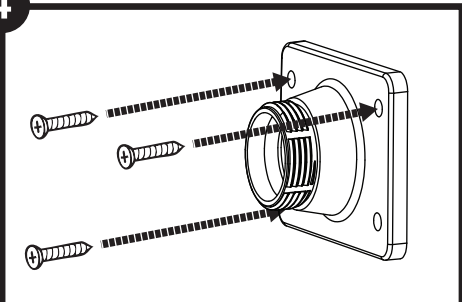
3



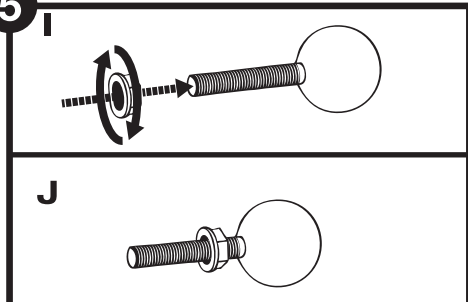
G

H

4



5

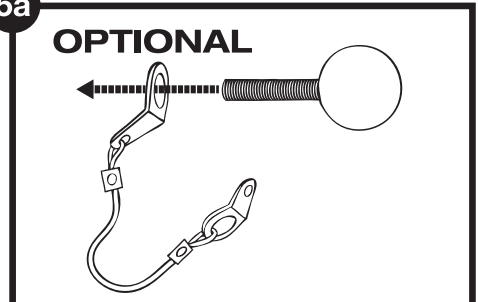


I

J

5a

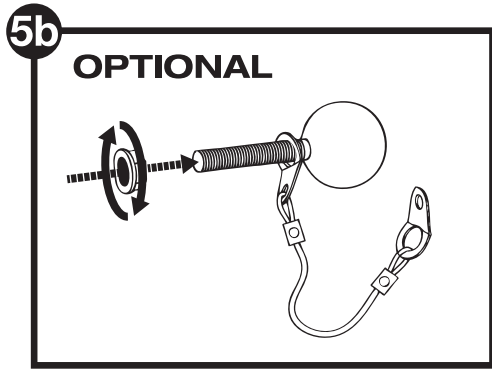
OPTIONAL



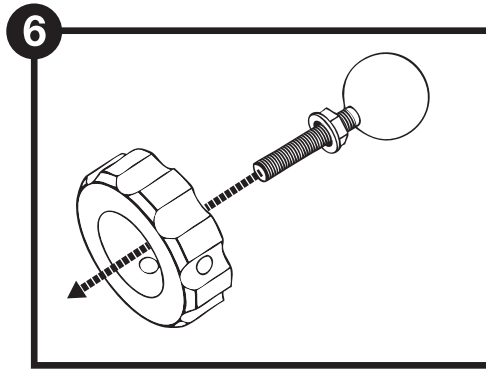
Use 3 of the included screws to secure the top left, bottom left, and top right corners of the bracket. If you are using anchors, ensure that you are using the proper screws for your anchor type.

Thread the lock nut onto the shaft with the nut's round surface facing away from the ball (I). Tighten it all the way onto the threaded shaft as shown in the illustration above (J).

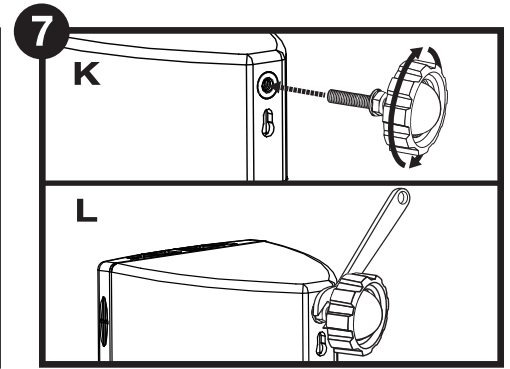
If you are using the safety chain, slide the end with the largest opening onto the ball shaft



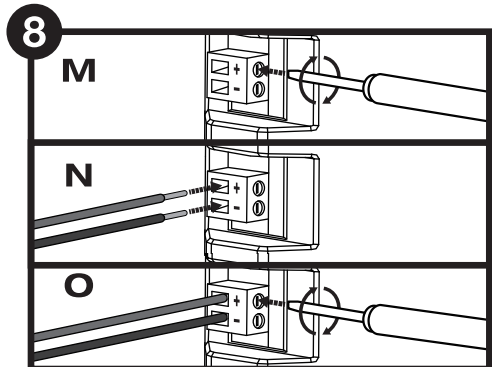
Thread the lock nut onto the shaft with the nut's round surface facing away from the ball. Tighten it all the way onto the threaded shaft, but do not tighten it flush with the ball.



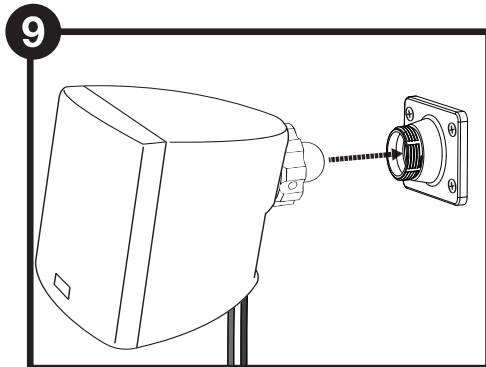
Slide the ball shaft assembly through the back of the molded nut.



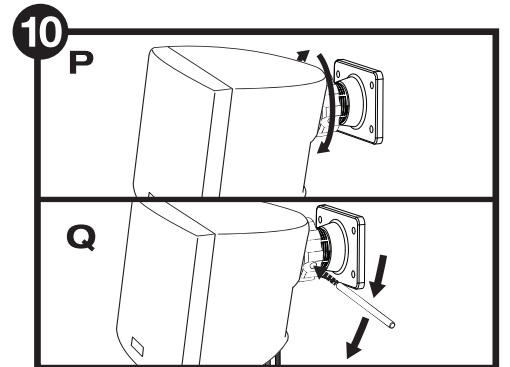
Screw the ball shaft/molded nut assembly into the threaded insert until it is fully seated against the opening (K). Use a wrench to tighten the nut and ensure it is completely flush with the speaker housing (L).



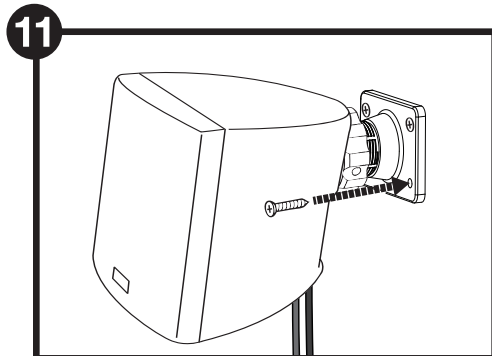
Use a small flat-head screwdriver to loosen both terminal screws (M). Strip half inch of sheathing from the ends of the speaker wire. Insert them into the terminal openings (N). Be sure to observe proper polarity. Tighten the screws (O).



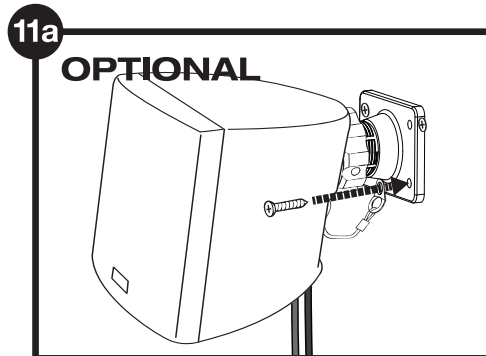
Use both hands to hold the speaker and gently push the ball into the wall bracket. Check that the ball is properly seated.



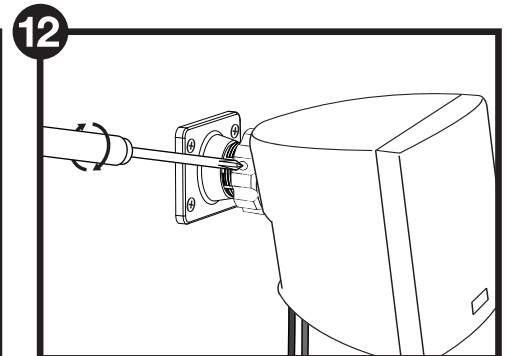
Hand tighten the molded nut (P). Orient the speaker in the desired direction. Insert the metal bar into one of the holes on the molded nut and tighten it to lock in the position. Do not overtighten.



Insert the last screw into the lower right hand hole and tighten it.



Insert the last screw into the open end of the safety cable. With the safety chain attached, insert the screw into the lower right hand hole and tighten it.



After making final orientation adjustments to the speaker, use a Phillips head screw driver to tighten the screw on the side of the molded nut to ensure the bracket is fixed in the desired position. Do not overtighten.