

# ROCKVILLE



OWNER'S MANUAL

**APM**SERIES  
2-WAY ACTIVE USB STUDIO MONITOR SPEAKERS

# ROCKVILLE

Thank you for purchasing the Rockville APM series active studio monitors.

These active studio monitors create a new performance level in affordable studio monitors. Our unique design eliminates high frequency diffraction while providing full range monitoring accuracy, refined vocal reproduction, and enhanced bass response.

Unlike most studio monitors, the Rockville APM series feature a Quad-Amplifier design. Each woofer as well as the tweeters have an individual Frequency Optimized Amplifier (FOA). These amps guarantee that there is no wasted energy in the amplification stage and an absolute minimum of harmonic distortion. The efficiency of our class D design is in excess of 90% with zero discernible hiss or white noise.

These APM series monitors are compatible with most mixing scenarios. They feature various input connections so they hook-up to any mixing/monitoring system or media source (including RCA, balanced 1/4" TRS combo jacks, USB). A 3.5mm mini jack is included for output to headphones.

Please read this installation guide carefully for proper use of your Rockville APM series active studio monitors. Should you need technical assistance during or after your installation please call our technical help line at 1-646-758-0144, Monday through Friday, 9am to 5pm EST.

---

## IMPORTANT SAFETY INSTRUCTIONS



**TO REDUCE THE RISK OF ELECTRICAL SHOCK, DO NOT REMOVE AMPLIFIER PLATE. NO USER SERVICEABLE PARTS INSIDE. WE RECOMMEND TAKING THE UNIT TO A QUALIFIED SERVICE TECHNICIAN FOR ANY REPAIRS.**

---

- Do not place these monitors on an unstable cart, stand, bracket or table. The monitor may fall, causing serious injury to a child or adult and serious damage to the unit.
- Do not use these monitors near water; for example, near a bathtub, sink, in a wet basement, or near a swimming pool.
- The monitors should be situated away from heat sources such as radiators, heat registers, stoves, or other devices that produce heat.
- These monitors should be connected to a power supply outlet of the same voltage as that which is specified on the amp plate of the unit. Protect the power cord from being walked on or pinched, particularly at plugs, convenience receptacles, and the point where it exits from the unit.
- Clean only with a soft damp cloth. Unplug this product from the wall outlet before cleaning.
- Upon completion of any servicing or repairs, request the service the service center/shop uses factory authorized replacement parts. Replacement with unauthorized parts may result in fire, electrical shock, or other hazards.

## FEATURES

### APM5, APM6, APM8

- Rockville 2-Way active/powered USB studio monitor speakers.
- Quad amp design: each driver features frequency specific independent amplifiers
- Enclosure is made of top quality mdf wood. The enclosure is 0.5" Thick while the front board of it is a full 1" thickness to give you the ultimate best sound quality!
- Comes in 3 enclosure finish options wood finish painted black, wood finish painted white, and wood finish with vinyl front board.
- We use "baking paint" made for wood surface. It lasts long and is the best paint for speakers!
- Beautiful finish is matte with a slight shine to it. Our designers spent a lot of time on the color to make it beautiful and elegant looking to improve the appearance of your studio or room
- The enclosure is built with the perfect amount of air space to maximize sound quality for a studio.
- The port is built to the perfect spec to enhance the sound.
- Full range class D amplifier circuitry with auto-switching power supply.
- Led power on indicator on rear panel.
- Ferro fluid enhanced neodymium silk dome tweeter with metal grill protection.
- Curved front bezel design eliminates standing wave distortion.
- Injection molded polypropylene cone woofer.
- Rubber woofer surrounds increases sound quality and eliminates unwanted distortions
- Computer optimized electronic crossover network supplies amazing sounding highs, lows, and mids.
- Rear-firing port shaped and designed by sound engineers to reduce port turbulence and deliver distortion free top sound quality!
- We developed the most optimized magnet structure, cone, and cabinet space that reproduces the sound to play back exactly the way it was recorded!
- Specially wound voice coils produce accurate response along entire frequency spectrum.
- Distortion-free playback even at max volume listening! Very clean sound!
- Our factory uses the latest precision glue machine (over 500 meter tunnel oven).
- Thick "wadding" protects inside the speaker cabinet.
- World class top of the line audiophile grade components! We use adau 1701 for audio processing and tpa3116 for amplification. These are both known to be best in class circuits designs. These components also are amazing and allow us to adjust the sound via soft programming on a computer during the design stage to get the perfect sound.
- 120 Volt (60Hz) AC power input
- Every speaker in production undergoes a computer generated sound check test to ensure it upholds to our specifications and standards.
- We use a "6sigma" style quality assurance of each product (long story short, each product will work perfectly as advertised for a long long time!).
- Transducer production line to make the spl performance stable.
- One complete pair with master / slave
- Includes a noise rejection cable to connect the 2 speakers together (this is a proprietary cable we use that connects the 2 speakers together without any unwanted noise). we also use a special cable tip that will not allow the user to plug the cable in backwards.
- Comes in 3 beautiful finishes: painted black, painted white, vinyl wood finish

# ROCKVILLE

## SPECIFICATIONS

### APM5

**Amplifier:** Class D Mono Block

**Quad Amp Design:** Each Driver Features Frequency Specific Independent Amplifier.

**Low-Mid Frequency:** 5.25" Polypropylene Cone with Rubber Surround

**High-Frequency:** 3/4" Neodymium Silk Dome Tweeter

**Frequency Response:** 55Hz - 20kHz

**SPL Peak:** 100dB @1w/1m

**Speaker Power Output (per pair):** 125 Watts RMS/250 Watts Peak

**Power Output (per speaker):** 62.5 Watts RMS/125 watts Peak

**Tweeter Power Output:** 15 Watts RMS

**Speaker Impedance:** 4 Ohm

**Tweeter Impedance:** 6 Ohm

**Low Frequency Equalization Adjustment:** -4dB - +4dB

**High Frequency Equalization Adjustment:** -4dB - +4dB

**Input Connectors:** Unbalanced RCA

Balanced 1/4"/TRS Combo Jack

USB 2.0

**Output Connector:** 3.5mm Balanced Headphone Jack

**AC Power Input:** 120V (60Hz)

**Dimensions (H x W x D):** 10.2" (258mm) x 7.4" (188mm) x 9.8" (248mm)

**Weight:** Active unit: 9 lbs (4kg)    Slave unit: 6 lbs (2.7kg)

### APM6

**Amplifier:** Class D Mono Block

**Quad Amp Design:** Each Driver Features Frequency Specific Independent Amplifier.

**Low-Mid Frequency:** 6.5" Polypropylene Cone with Rubber Surround

**High-Frequency:** 1" Neodymium Silk Dome Tweeter

**Frequency Response:** 50Hz - 20kHz

**SPL Peak:** 102dB @1w/1m

**Speaker Power Output (per pair):** 175 Watts RMS/350 Watts Peak

**Power Output (per speaker):** 87.5 Watts RMS/175 watts Peak

**Tweeter Power Output:** 20 Watts RMS

**Speaker Impedance:** 4 Ohm

**Tweeter Impedance:** 6 Ohm

**Low Frequency Equalization Adjustment:** -4dB - +4dB

**High Frequency Equalization Adjustment:** -4dB - +4dB

**Input Connectors:** Unbalanced RCA  
Balanced 1/4"/TRS Combo Jack  
USB 2.0

**Output Connector:** 3.5mm Balanced Headphone Jack

**AC Power Input:** 120V (60Hz)

**Dimensions (H x W x D):** 12.6" (320mm) x 8.5" (216mm) x 10" (256mm)

**Weight:** Active unit: 16 lbs (7.3kg)    Slave unit: 6 lbs (2.7kg)

## **APM8**

**Amplifier:** Class D Mono Block

**Quad Amp Design:** Each Driver Features Frequency Specific Independent Amplifier.

**Low-Mid Frequency:** 8" Polypropylene Cone with Rubber Surround

**High-Frequency:** 1" Neodymium Silk Dome Tweeter

**Frequency Response:** 30Hz - 20kHz

**SPL Peak:** 106dB @1w/1m

**Speaker Power Output (per pair):** 250 Watts RMS/500 Watts Peak

**Power Output (per speaker):** 125 Watts RMS/250 watts Peak

**Tweeter Power Output:** 30 Watts RMS

**Speaker Impedance:** 4 Ohm

**Tweeter Impedance:** 6 Ohm

**Low Frequency Equalization Adjustment:** -4dB - +4dB

**High Frequency Equalization Adjustment:** -4dB - +4dB

**Input Connectors:** Unbalanced RCA  
Balanced 1/4"/TRS Combo Jack  
USB 2.0

**Output Connector:** 3.5mm Balanced Headphone Jack

**AC Power Input:** 120V (60Hz)

**Dimensions (H x W x D):** 15.4" (390mm) x 9.92" (252mm) x 12.2" (310mm)

**Weight:** Active unit: 24 lbs (11 kg)    Slave unit: 9 lbs (4 kg)

## POSITIONING

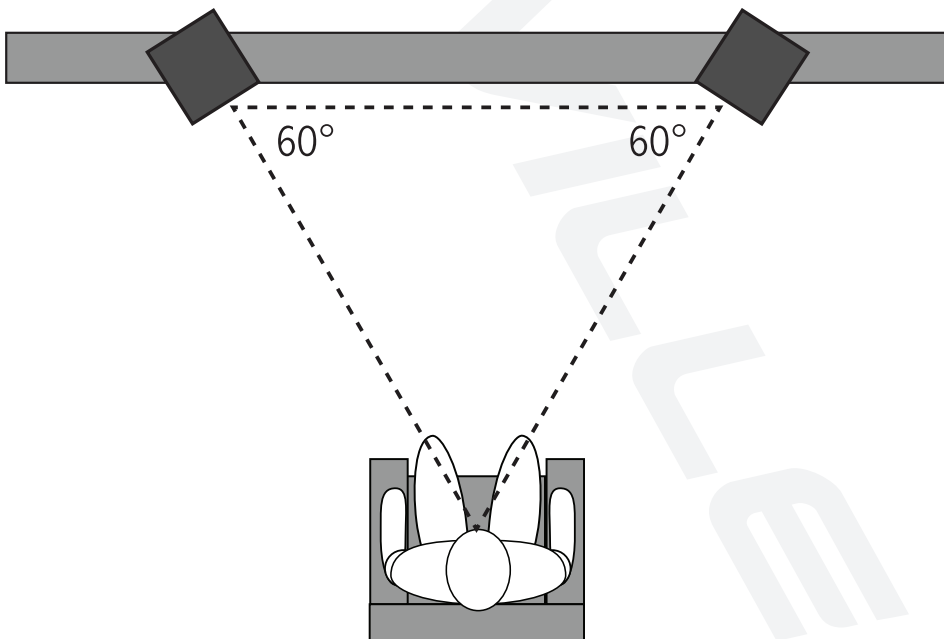
The close-field monitor, by definition, reduces room interaction. This can be compared to the conventional stereo configuration or the large monitor arrangement in a recording studio where sounds emanating from the monitor or reflecting off ceilings, walls, and floors, all greatly affect sound quality.

By shortening the path to the ear, APM series active monitors offer a tremendous amount of flexibility allowing sound to become less susceptible to differing room conditions. The ability to adjust the high/low frequency characteristics is equally important to help compensate for room irregularities and achieve the best performance.

Placing the monitor close to a wall or in a corner will reinforce low frequencies. If you move them 2 to 3 feet from walls and corners, you'll hear less low frequency interaction.

The monitors should be placed so that the listening position is fully covered with all units resting on the same horizontal plane. For testing and break-in we recommend acoustical music because it represents a wide, natural spectrum of sound.

Initial placement starts by measuring out a simple equilateral triangle (all three sides equal in length) with the apex at the center of the listening position (as shown below). In this configuration, the left and right monitors are each placed at a  $60^\circ$  angle, equidistant from the listening position.

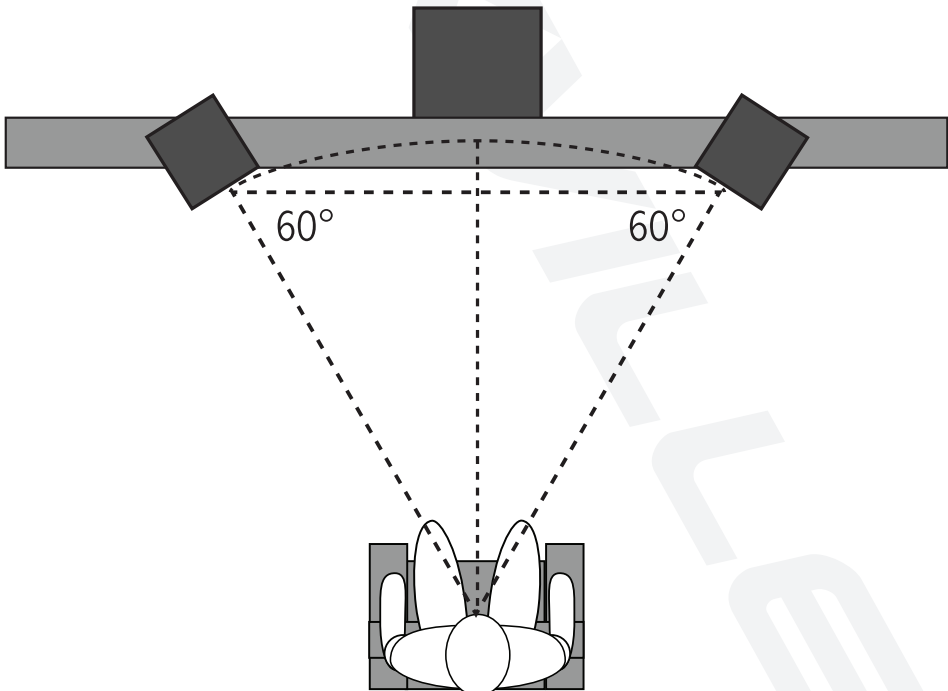


## POSITIONING: SUBWOOFER PLACEMENT (OPTIONAL)

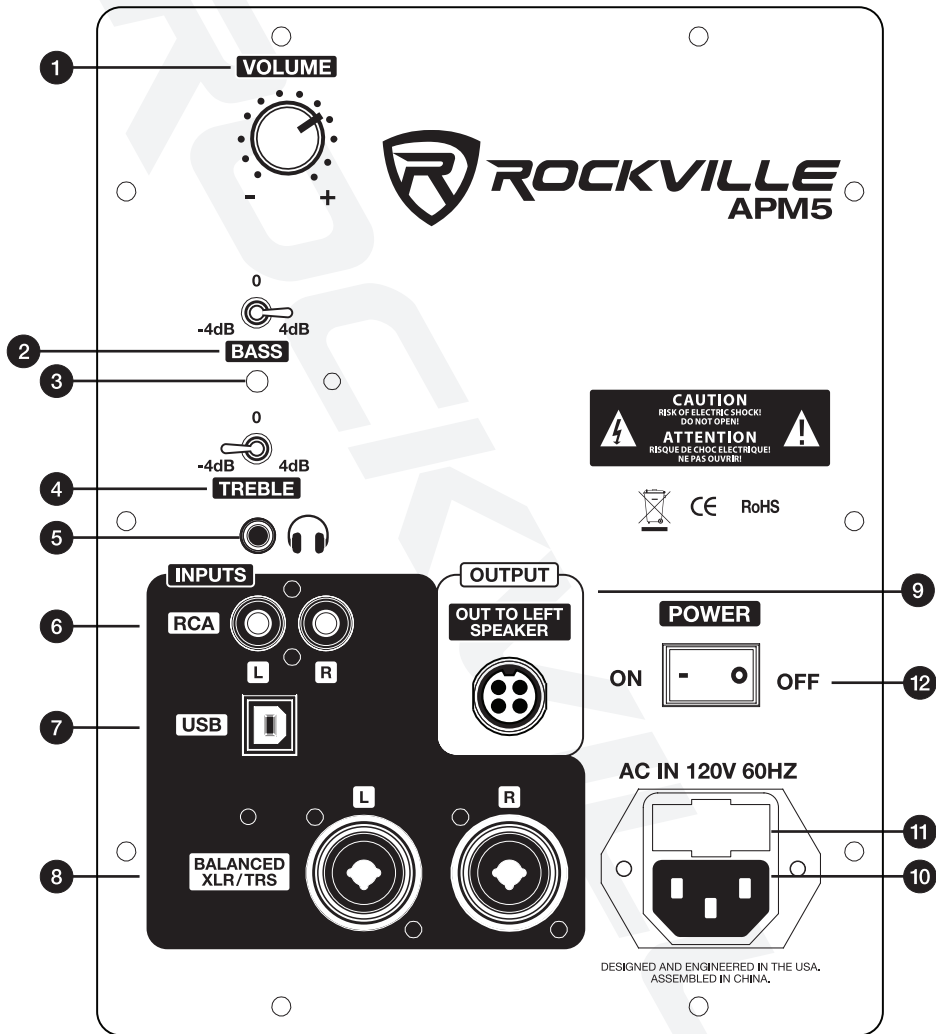
Placement is for the most part a trial and error process and differs depending on the shape and size of the room. Use the diagram below as a general starting point for placement.

Place the sub on the floor in front of the listening position. Be sure to place it centered between the monitors. Then try different locations through out the room until you find a location that suits your needs. If possible, place the subwoofer in a corner as this will provide you with lower distortion, increased headroom, and increased efficiency.

Ensure the proper phase settings on your subwoofer. Then adjust the subwoofers low-pass filter so that it blends seamlessly with your APM series monitors. When you have finished adjusting the phase and cross-over settings, re-adjust the level of the sub to your personal preference.



## AMPLIFIER FUNCTIONS





1. Master volume control knob.
2. Bass control. Adjust low frequency from -4dB to 4dB.
3. LED power indicator
4. Treble control. Adjust high frequency from -4dB to 4dB.
5. 3.5mm jack for output to headphones.
6. RCA jacks (input).
7. USB 2.0 port (input).
8. Combo XLR and 1/4" TRS ports (input).
  - Outer input accepts XLR type connectors and is designed to suit a wide range of balanced and unbalanced signals.
  - Inner input accepts balanced and unbalanced 1/4" TRS plugs. It accepts signals from a variety of sources such as keyboards, electronic drums, tape recorders, mixers, etc. When you use an unbalanced 1/4" TRS plug, the line input automatically turns the ring into ground.
9. Output to left speaker.
10. IEC AC power socket.
11. Fuse compartment.
12. Power switch.

## TROUBLE SHOOTING

### NO POWER

- Ensure power cable is properly connected and that the LED power indicator is illuminated.
- Check that AC voltage matches that of the operating voltage requirements.
- Check fuse, replace if necessary (see diagram below). NEVER USE A LARGER AMPERAGE FUSE THAN THAT WHICH IS SPECIFIED.

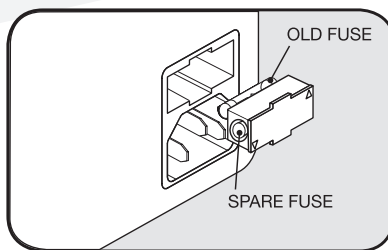
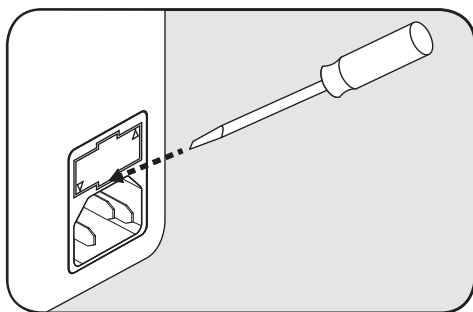
### NO SOUND

- Check to see if all other audio devices using the same outlet are still operating.
- Ensure that the audio source cable is plugged into both the source and the corresponding monitor input.
- Check that unit volume is not set to 0.
- The signal source (mixer, work station, MP3 player, etc.) is turned up to a level that can properly send a signal to the monitors.
- Check each monitor individually for sound. Ensure that the interunit output cable is properly seated.
- If the monitor is still not responding, it should be returned to an authorized Rockville dealer.

### POPS, HISSES, HUMS, & OTHER UNWANTED NOISES

- All audio equipment should use the same ground point. Check all other devices using the same AC output in the building such as dimmers, neon signs, TVs, and computer monitors. These devices should not be using the same circuit.

## FUSE REPLACEMENT DIAGRAM



## **FEDERAL COMMUNICATIONS COMMISSION COMPLIANCE INFORMATION**

Responsible party name: Rockville

Address: 600 Bayview Ave  
Entrance A  
Inwood, NY 11096

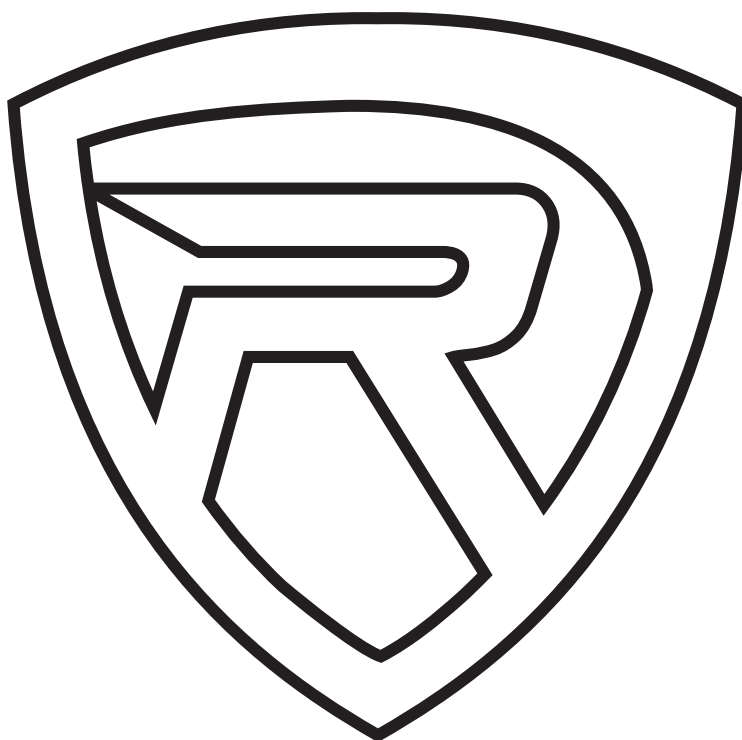
Hereby declares that the product(s) APM Series Active Studio Monitors complies with FCC rules as mentioned in the following paragraph:

This device complies with Part 15 of the FCC rules. Operation is subject to the following two conditions: (1) this device may not cause harmful interference, and (2) this device must accept any interference received, including interference that may cause undesired operation.

Note: This equipment has been tested and found to comply with the limits for a Class B digital device, pursuant to Part 15 of the FCC rules. These limits are designed to provide reasonable protection against harmful interference in a residential installation. This equipment generates, uses and can radiate radio frequency energy and, if not installed and used in accordance with the instructions, may cause harmful interference to radio communications. However, there is no guarantee that interference will not occur in a particular installation. If this equipment does cause harmful interference to radio or television reception, which can be determined by turning the equipment off and on, the user is encouraged to try to correct the interference by one or more of the following measures:

- Reorient or relocate the receiving antenna.
- Increase the separation between the equipment and receiver.
- Connect the equipment into an outlet on a circuit different from that to which the receiver is connected.
- Consult the dealer or an experienced radio/TV technician for help.

***ROCKVILLE***



**RockvilleAudio.com**

© 2017 ROCKVILLE // Features and specifications are subject to change and or improvement without notice.