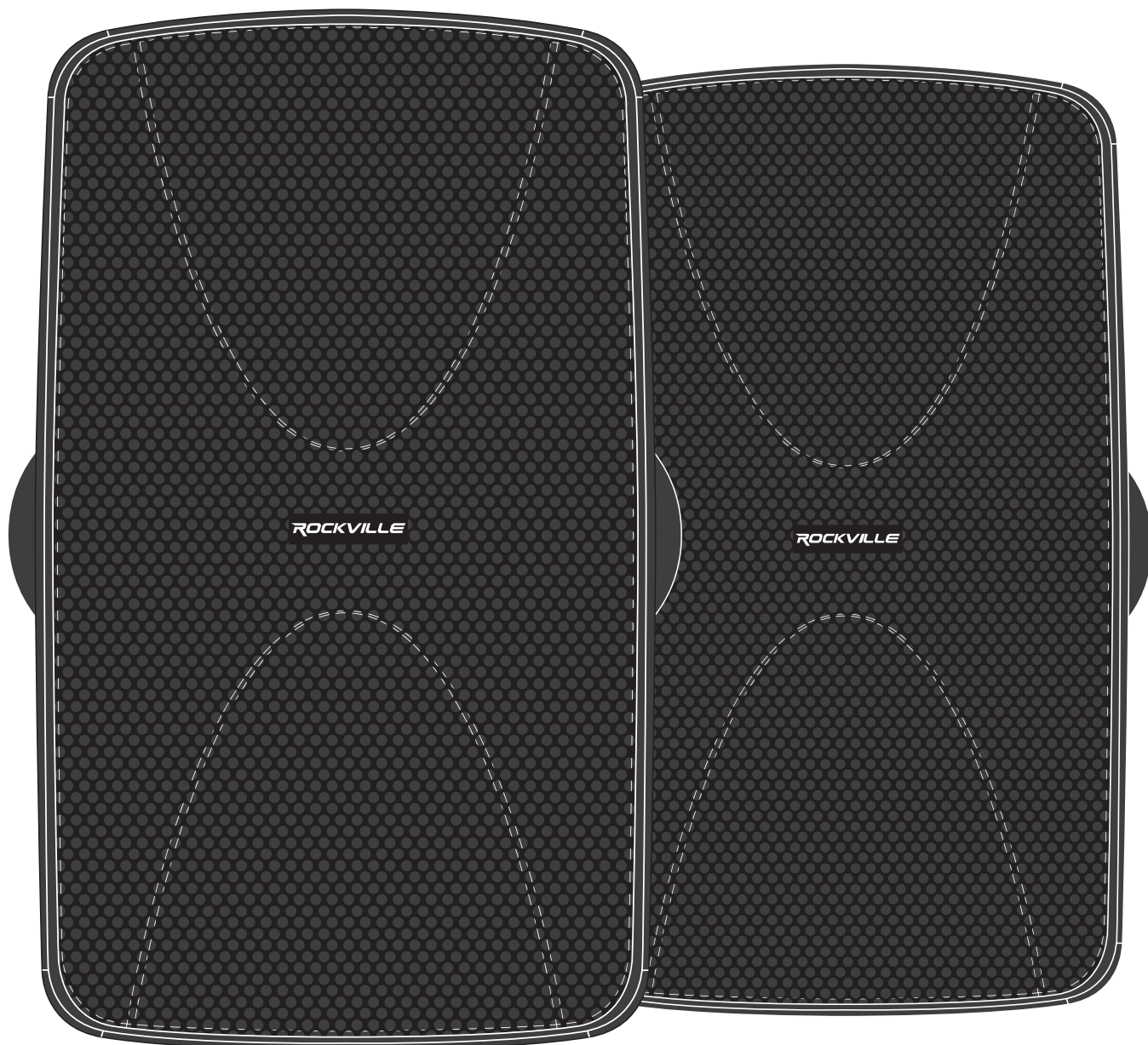


# ROCKVILLE



OWNER'S MANUAL

**WET-6525**  
70V IP55 COMMERCIAL INDOOR/OUTDOOR SPEAKER

*Who reads manuals?*  
Instead, go to [vimeo.com/497282374](https://vimeo.com/497282374) or scan the QR code and watch a short video, which shows you how to set this item up and how to use it.





Thank you for purchasing this Rockville product. Please read this owner's manual carefully for proper use of your Rockville WE-6525 70V Commercial Wall Mount Speakers. Should you need assistance, please call our technical help line at 1-646-758-0144, Monday through Friday, 9am to 5pm EST.

## IMPORTANT SAFETY INSTRUCTIONS



**TO REDUCE THE RISK OF ELECTRICAL SHOCK, NEVER OPEN THE UNIT. NO USER-SERVICEABLE PARTS INSIDE. WE RECOMMEND TAKING THE UNIT TO A QUALIFIED SERVICE TECHNICIAN FOR ANY REPAIRS.**

- Always mount this unit in a safe and stable manner. Ensure that the mounting surface is structurally sound and can support the weight of the speaker.
- When mounting the speaker, do not use nails, adhesives, or other inappropriate devices. Long-term use and vibrations may cause it to fall easily.

## What Is 70 Volt?

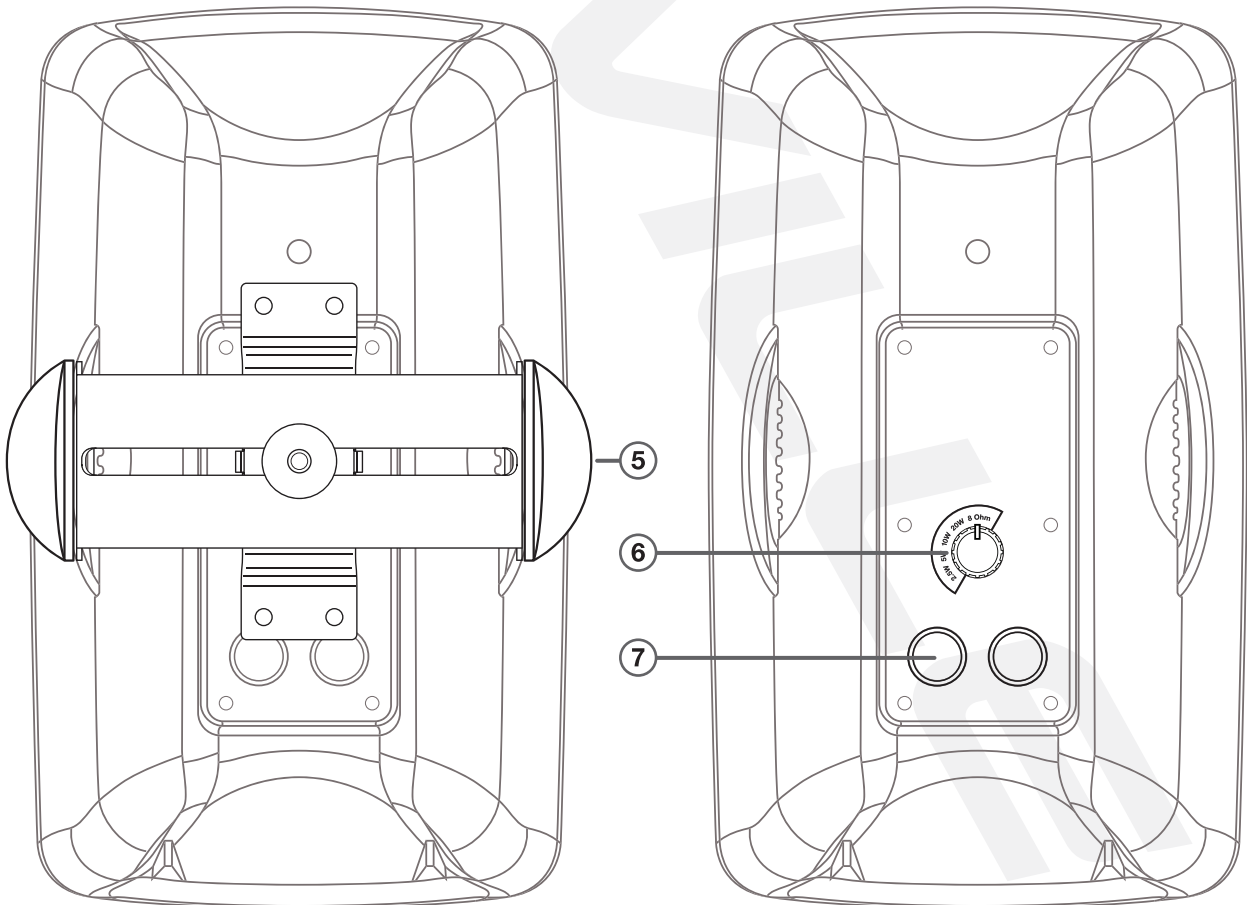
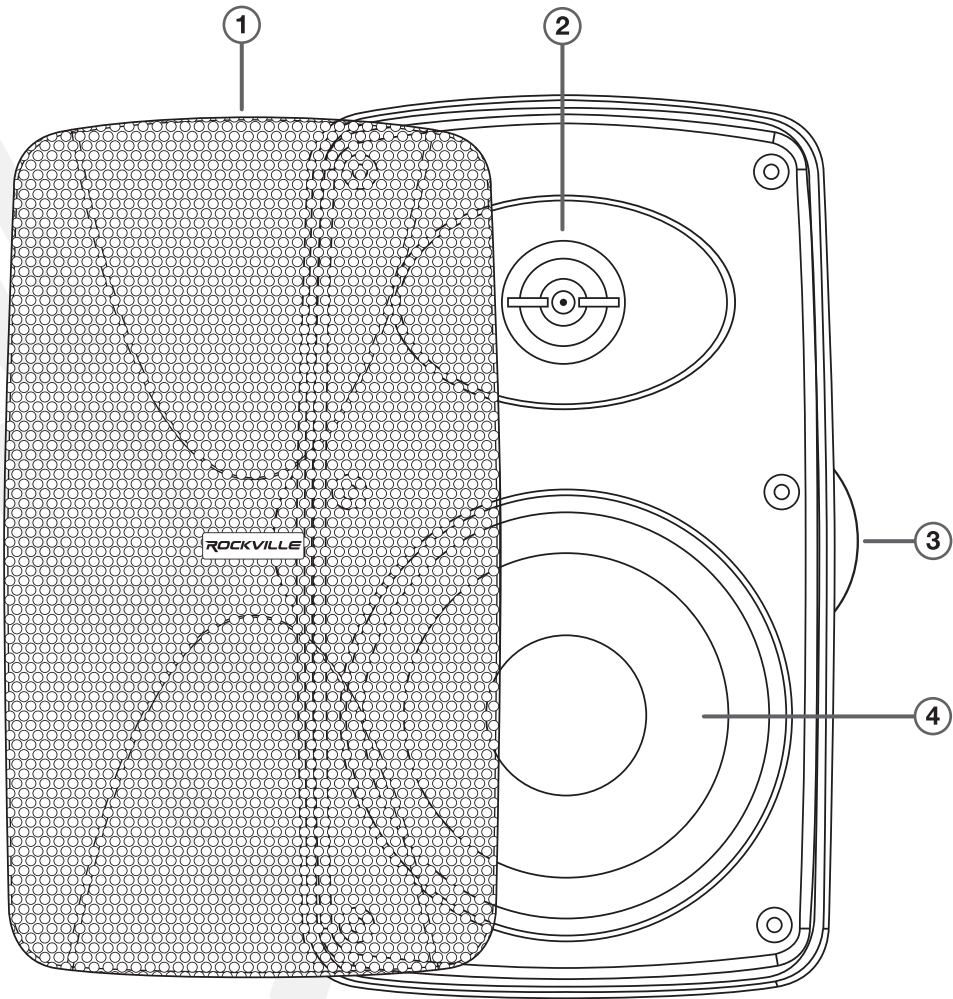
70-volt systems are the no. 1 choice for any application in which you want to install multiple speakers. With 70 volt there are a lot of advantages over 8-ohm systems. One of the main advantages is the simplicity of the wiring as well as how easy it is to match up the speakers with an amplifier. You always want your 70-volt amp to have at least 15% or 20% more power than the combined watts your speakers are tapped at. For example, if you have a 180-watt/70-volt amplifier, you can install ten 70-volt speakers that are tapped at 15 watts each or five 70-volt speakers that are tapped at 30 watts each as long as they total close to 150 watts. When we say the word “tap”, what we are referring to is the selector knob at the rear of the WET-6525 speakers. It allows you to set how many watts the built-in transformer will allow the speaker to get from the amplifier. These speakers have taps set at 3.75, 7.5, 15, and 30 watts. This range of taps allows for full customization of the sound for the space in which the speakers are installed. In a restaurant, for example, you can tap your dining room speakers at 7.5 watts, the speakers in the outside seating area at 30 watts, the ones in the hallway at 15 watts, and the speakers in the bathrooms at 3.75 watts. Another great feature of 70-volt speakers is that you can mix and match any type whether they are wall-mounted speakers (such as these), ceiling speakers, subwoofers, etc.

An additional benefit of 70-volt speaker setups is the ability to run very long lines of speaker wire without signal loss. And the wiring is very simple. You just connect all the positive terminals of the speakers to the positive 70-volt terminal(s) of the amplifier. The negative terminals on the speaker get connected to the negative (COM) terminal(s) of the amp. You do not have to worry about impedance as the power is constant.

Please be sure to check out Rockville’s complete selection of high-quality, 70-volt speakers, amplifiers, and accessories.

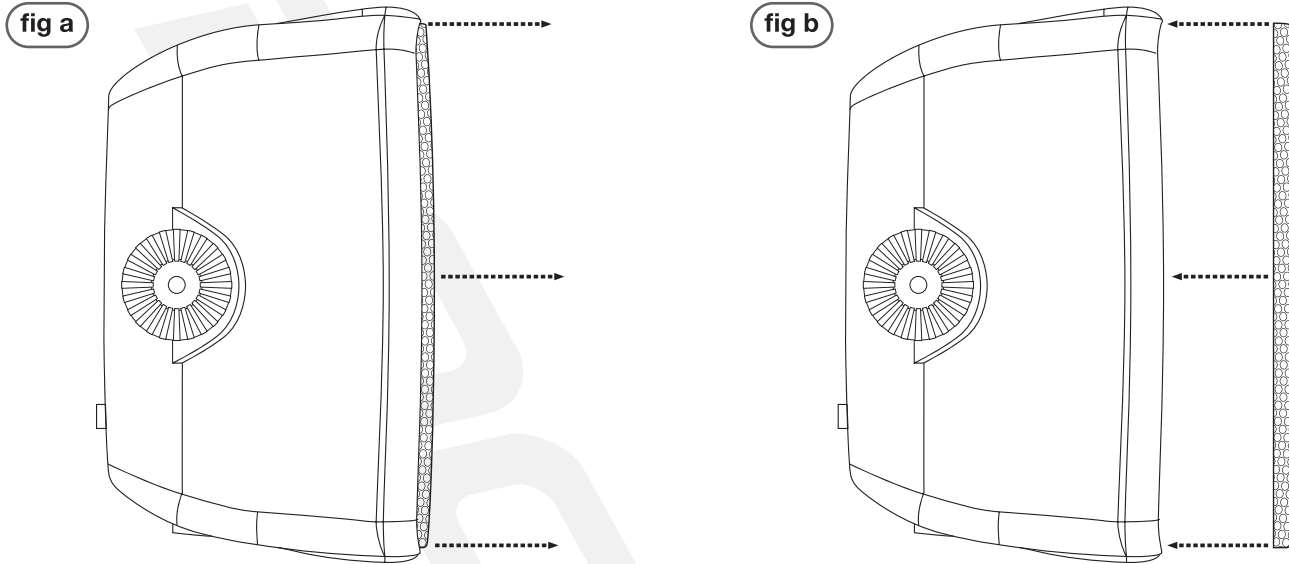
## Parts

1. Rustproof/Waterproof Aluminum Grill
2. 20mm Silk Dome Tweeter
3. Bracket Screw (left and right)
4. 6.5” Woofer with Polypropylene Cone
5. 4-Way Swivel Mounting Bracket
6. 70V/8-Ohm Tap Switch
7. Waterproof Spring-Loaded Terminals



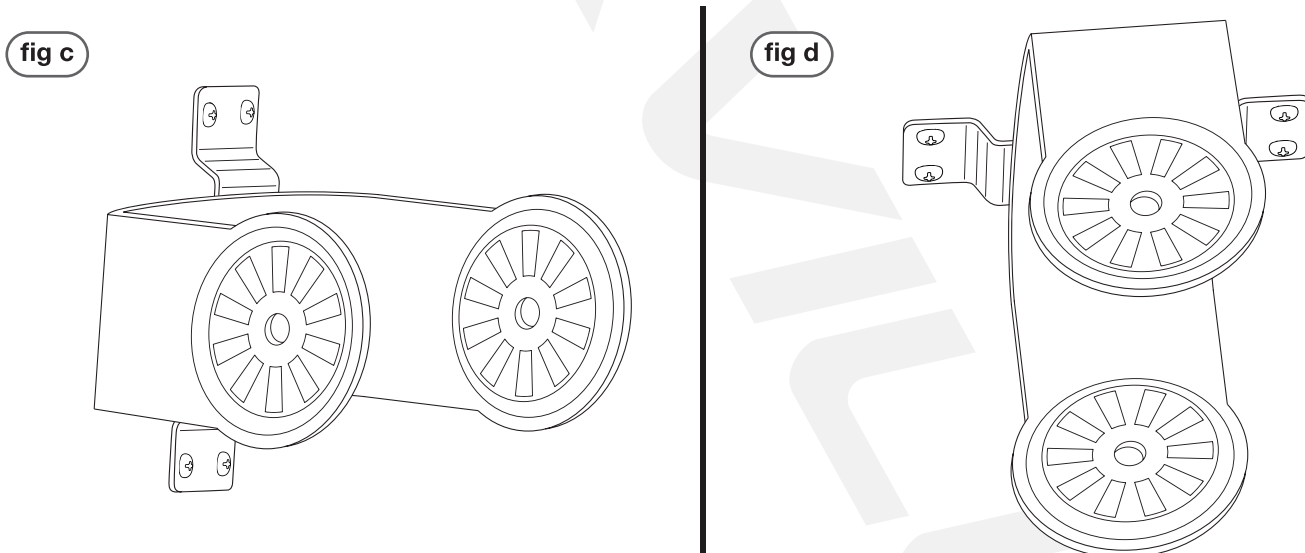
## Removing/Attaching the Grill

To remove the grill, carefully grip the sides of the grill and gently pull it away from the speaker (fig a). To attach the grill, simply align the edges with the inner groove on the front of the speaker and press gently until the grill is securely seated in place (fig b).



## Mounting

These speakers can be mounted horizontally (fig c) or vertically (fig d) and can be installed on a variety of surfaces. When mounting horizontally, make sure to place the mounting bracket at a height that will allow the front of the speaker to be tilted toward the listening area.



## Drywall Installation

1. Using the mounting bracket as a template, mark the mounting screw locations. We recommend you use a stud finder to locate the wall studs and mark their location.
2. Drill pilot holes for the screws. If you are installing between studs, we recommend using anchors. Be sure to use the proper drill bit size for the anchors. Use no less than two anchors to secure the mounting bracket.
3. Now screw the bracket in place. Be sure that the screws are properly seated and that the bracket is securely mounted.

## Masonry Installation

1. Mark the location of the mounting screws using the mounting bracket as a template.

2. Use a masonry drill bit to make pilot holes for the anchors.

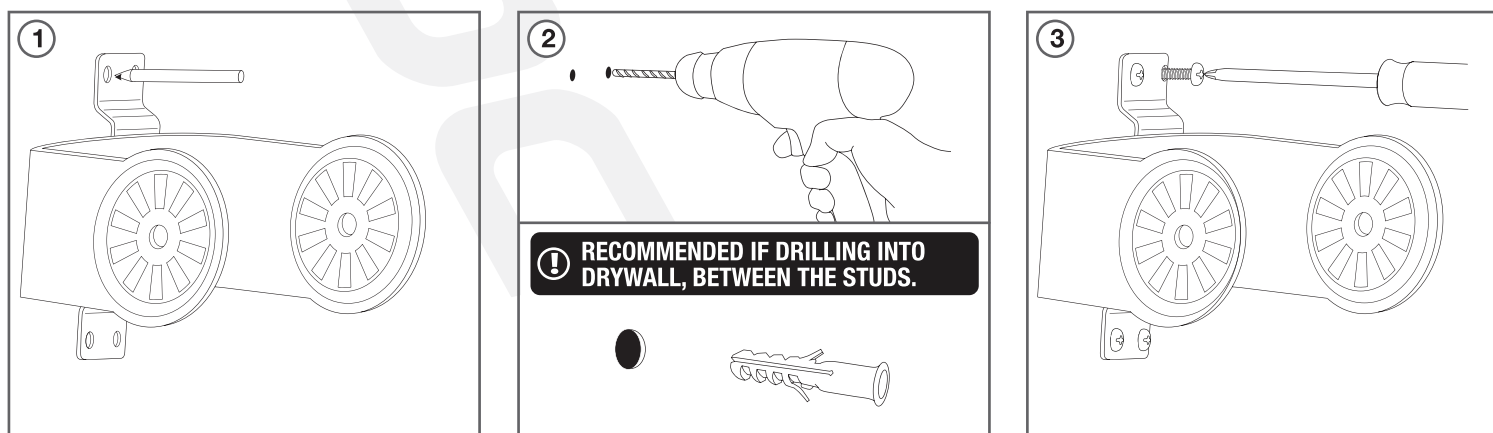
3. Insert the anchors and attach the mounting bracket using the appropriate screws.

### Exterior Installation

1. Hold the bracket up to the mounting surface. Use a level to ensure that the bracket is square with its surroundings. Now mark the location of the mounting screws.

2. Drill pilot holes for the screws. If you are installing on an exterior wall with siding, make sure the screws are long enough to penetrate the siding and the surface behind it. For exterior walls, we recommend you apply a ring of caulk or sealant around each hole.

3. Now screw the bracket in place. Be sure that the screws are properly seated and that the bracket is securely mounted.



### Adjusting the Angle of the Speaker Bracket

Loosen the hex nut securing the speaker bracket to the mounting bracket (fig e). Move the speaker left or right to the desired position and tighten the hex nut to lock the bracket in place (fig f).

fig e

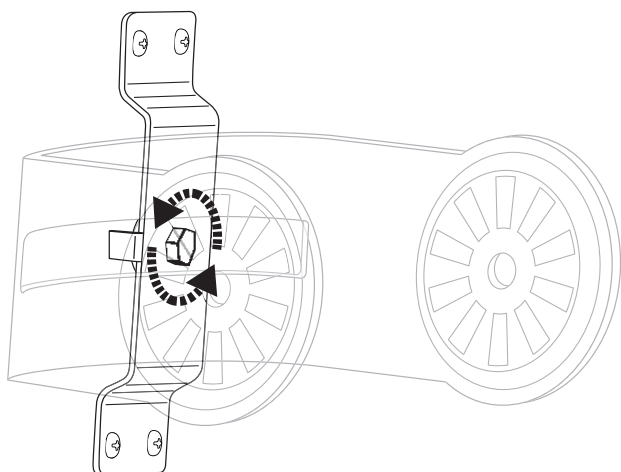
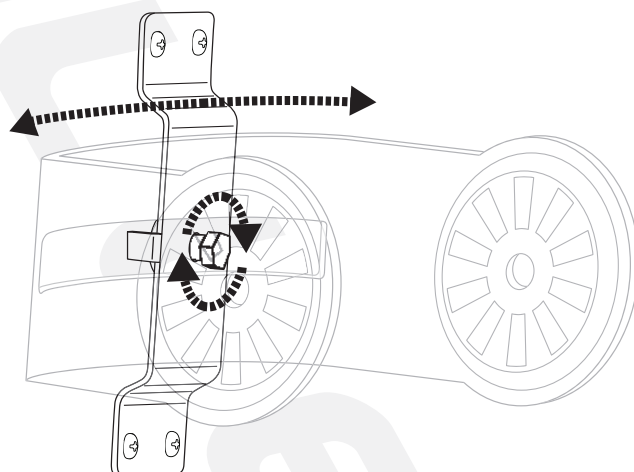


fig f



## Attaching the Speaker to the Mounting Bracket

Begin by sliding the bracket onto the speaker (fig g). Use the lock knobs to secure the bracket onto the speaker, but do not tighten completely (fig h). Adjust the angle of the speaker and fully tighten the knobs (fig i).

fig g

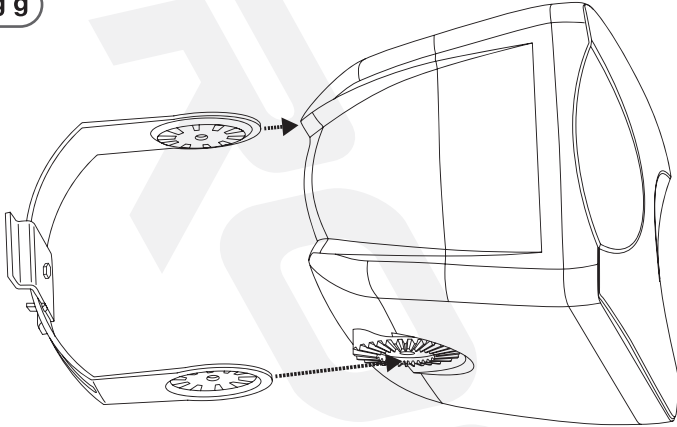


fig h

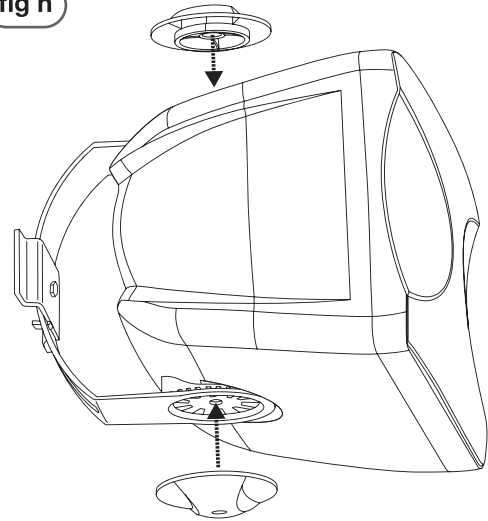
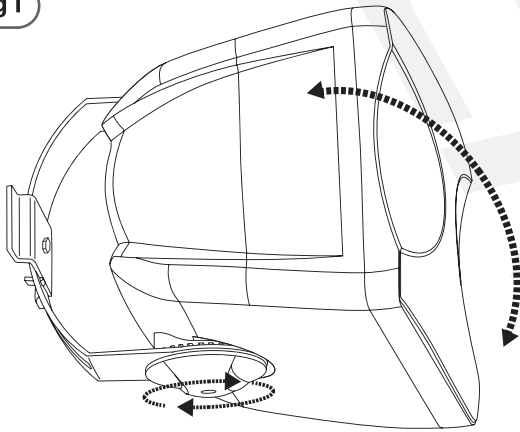


fig i

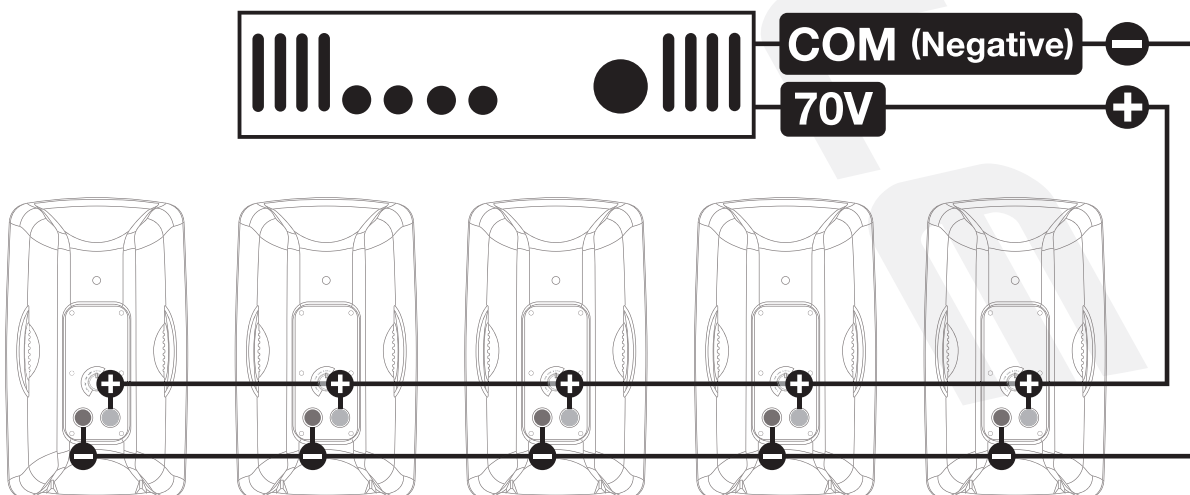


## Setup

### 70V-Speaker Configuration

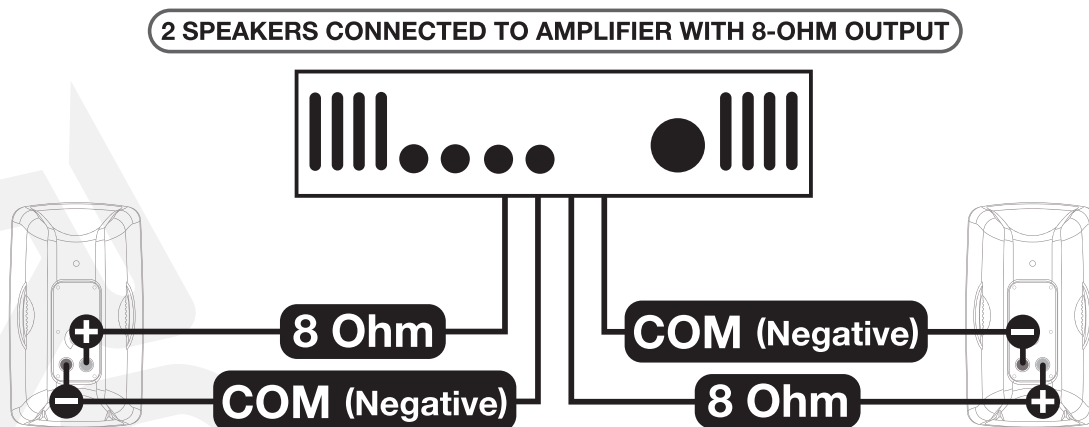
The total number of speakers multiplied by the tap value cannot exceed the output power (in watts) of your 70V amplifier. The example below shows five total speakers. Using the 15-watt taps, you will need an amplifier with at least 75 watts ( $5 \times 15 = 75\text{W}$ ). A good rule of thumb is to select an amplifier with 15% to 20% greater power; in this case, an amplifier that delivers about 100 watts.

#### 5 SPEAKERS CONNECTED IN PARALLEL USING 15W TAPS





## 8-Ohm-Speaker Configuration



**!** Please note: be sure to set the tap to 8 ohm.

## Features and Specifications

- IP55\* rating makes this perfect for outdoor use or indoor use
- 4-way powder-coated steel swivel brackets\*\* allow for up, down, left, and right angle adjustments
- Weather resistant
- Rugged waterproof speaker enclosure
- Aluminum grill is waterproof and rustproof
- Waterproof spring-loaded terminals
- Built-in transformer supports 70V installations
- Built-in tap switch with 3.75W, 7.5W, 15W, and 30W power settings
- 6.5" woofer with polypropylene cone
- 20mm silk dome tweeter is very efficient and has great sound
- Frequency response: 55Hz – 20Khz
- Sensitivity: 85dB  $\pm$ 2dB
- RMS power: 40W (when using 8 ohm)
- Nominal impedance: 8 ohm
- Color: White or Black
- Weight: 6.94Lbs each
- Cabinet dimensions: 12.21" x 7.4" x 7.3"

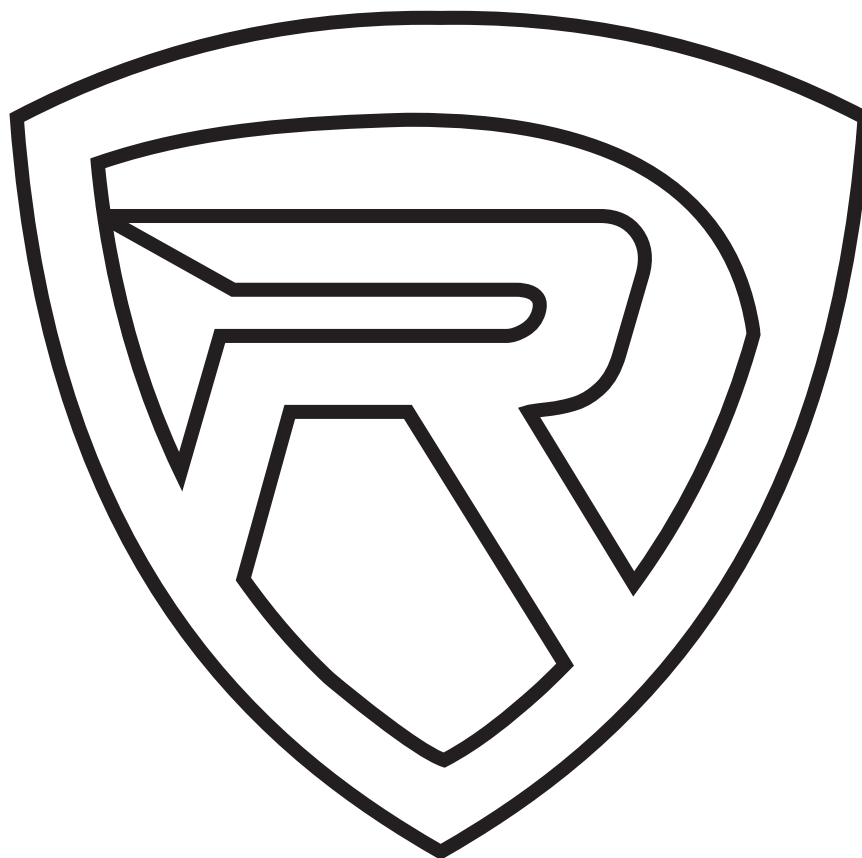
\*Can withstand jet streams spraying it from any angle without any damage

\*\*Brackets have passed a 96-hour saltwater spray test

## Troubleshooting

PROBLEM	SOLUTION
No sound/ distorted sound	<ol style="list-style-type: none"><li>1. Check all connections.</li><li>2. Check that the tap is properly set.</li><li>3. Check the volume/levels settings of your amplifier.</li><li>4. If volume and treble/bass settings are maxed out, turn one of them down.</li><li>5. Check volume and gain settings on all input sources.</li><li>6. If using a mixing console, make sure the fader and balance are set to the center positions and levels are increased. Make sure the mixer is plugged into the correct input.</li></ol>

שירותי הרוקט



**RockvilleAudio.com**

© 2021 ROCKVILLE // Features and specifications are subject to change and or improvement without notice.