

ROCKVILLE

UT525B

5.25" IPX6 UTV/ATV ROLL BAR/WAKEBOARD
TOWER MARINE SWIVEL SPEAKERS

OWNER'S MANUAL

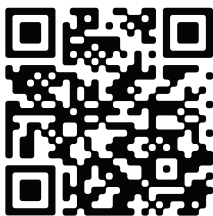
ATTENTION:
WATCH THIS VIDEO BEFORE FIRST USE!

Who reads manuals?

Scan the **QR code** or go to rockvillesupport.com/ut525b to access how-to video(s), the owner's manual, and other important information you may need to get the most out of your item.

If you prefer written instructions, please read ahead!

With Rockville you get many options.



Missing items? If you ordered a bundle that includes more than one product and you are missing part of your bundle, then it just means your order shipped from two different warehouses. You will receive the remaining items very soon. If you have any concerns or inquiries, feel free to call our customer support center at 1-646-758-0144, 24 hours a day/7 days a week.

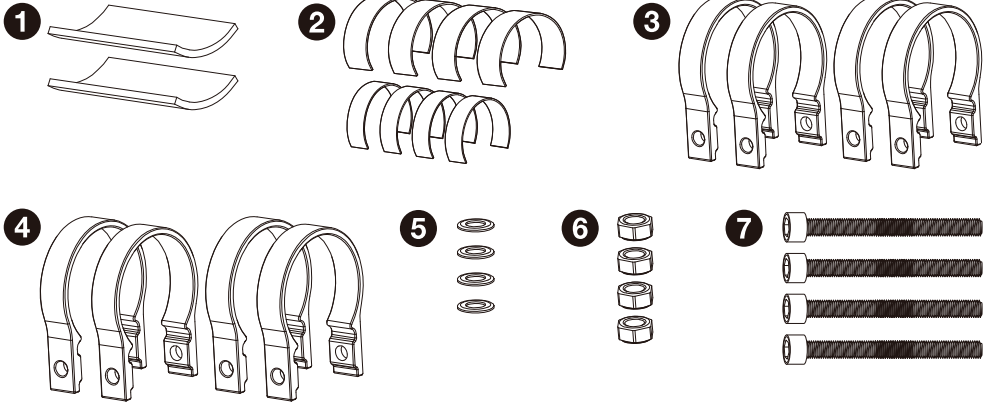
Thank you for purchasing these Rockville UT525B roll bar/wakeboard tower speakers. Please read this owner's manual carefully for proper use of your UT525B. Should you need assistance, please call our technical help line at 1-646-758-0144, 24 hours a day/7 days a week.

Includes

- Two tower speakers
- Mounting brackets and mounting hardware to fit 1.5", 1.75", 1.875", or 2"
- Installation hardware
- Owner's manual
- Warranty card

Parts list

1	Non slip rubber pad (48 x 30mm)	2 PCS
2	Non slip rubber strip (120 x 14 x 1mm)	4 PCS
	Non slip rubber strip (130 x 14 x 2mm)	4 PCS
3	Aluminum ring 1.75"	4 PCS
4	Aluminum ring 2"	4 PCS
5	Non-slip flat washer for M6 screw	4 PCS
6	Non-slip nut for M6 screw	4 PCS
7	M6 x 60mm screw	4 PCS



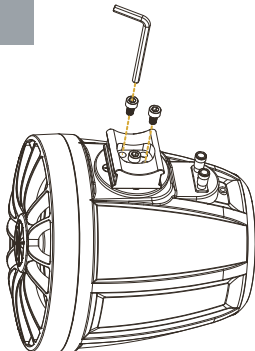
Installation safety considerations

Please remember that these are heavy products that will be installed in a boat or off-road vehicle. These vehicles can travel at high speeds and be unstable, so please keep this in mind and use extreme caution.

- Do not mount the speaker in a location where someone could either walk into it or strike their head. During a turbulent ride, please make sure that you do not lose footing and fall or hit the unit as it may cause injury.
- Secure the wires to the speaker in multiple locations along the route to the audio source so there are no hanging wires. Having nonsecure wires, especially in low light conditions, can cause entanglement and injury.
- Make sure to use the included rubber inserts when securing the speaker to the wake tower. Do not overtighten the clamp. After installation is complete, and before operating your vehicle or vessel, please check all bolts to ensure they are completely tightened.
- Do not install these speakers where they may block the view of the operator or prevent safe operation of the vehicle or vessel.

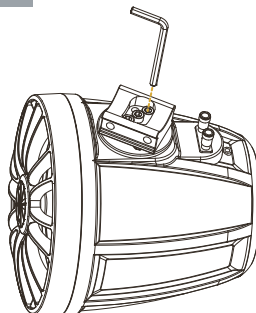
Installation

STEP 1



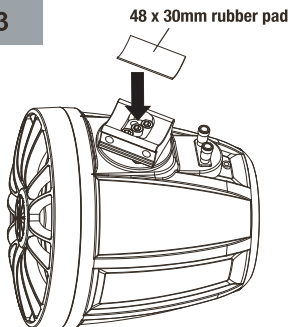
The two screws can be unbolted to loosen the metal base of the mounting ring to adjust the mounting angle. Make sure to put all components of the mounting hardware in a safe location.

STEP 2



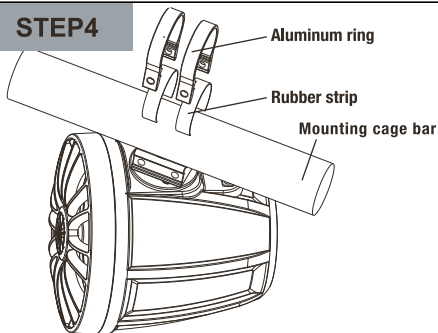
After loosening the two screws and determining the optimal angle for your speakers on the mounting bar, tighten the two screws in place to secure the metal base of the mounting ring tightly.

STEP 3



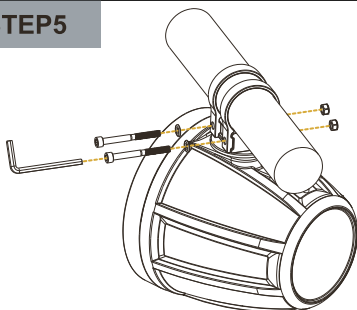
Place the front rubber pad on the metal base of the mounting ring.

STEP 4



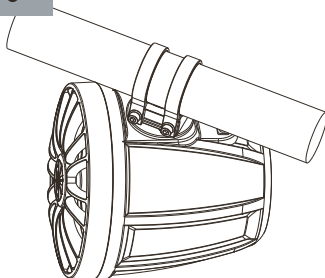
Determine the mounting cage bar size and place the appropriate rubber strip around it. This will ensure a proper fit and prevent scratching. Push the aluminum ring over the bar. Align the aluminum rings with the metal base of the mounting rings on the waketower speaker.

STEP 5



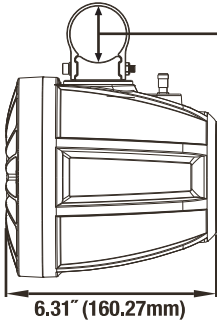
Secure the aluminum rings to the metal base using a pair of M6 x 60mm screws, M6 flat washers, and M6 locknuts as illustrated. The locknut should be installed into the hex-shaped recess on one end of each ring. Do not overtighten. To change the position of the speaker loosen the screws, adjust the speaker, then retighten the screws.

STEP 6

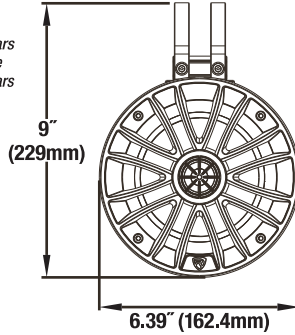


UT525B wake tower speaker installation completed.

Speaker Dimensions



Mounting Tube Diameter:
2" (51mm) Accomodates roll bars from 1.5" to 2" (38 - 51mm). Use the included non-slip rubber pads for bars smaller than 2".



Features:

- Rockville UT525B 5.25" IPX6 UTV/ATV Roll Bar/wakeboard Tower Marine Swivel Speakers
- Peak Power Handling: 280 Watts
- RMS Power Handling: 70 Watts
- Heavy-duty ABS enclosure
- IPX6 Water resistance rated
- Marine-grade components are protected from the elements
- Adjustable aluminum mounting bracket is strong and sturdy
- Bracket swivels 360 degrees for quick and easy speaker angle adjustment
- Bracket supports any rollbar from 1.5" to 2" thick
- 5.25" woofers with 11oz magnets and oversized 1" Kapton voice coils
- 1" PEI dome tweeters with neo magnets
- Shallow enclosure design is perfect for UTV, ATV, and marine applications
- Fully marinized against salt and freshwater conditions
- Completely resistant to water, rust, and UV rays
- Terminals are sealed with rubber gaskets
- Polypropylene-mica-injected cone with butyl rubber surround
- Frequency Response: 130Hz – 20kHz
- SPL: 87dB @ 1w/1m
- Impedance: 4 Ohms
- Shockproof design
- ABS weather-resistant grills and hardware
- Color: Black
- Dimensions (H x W x D): 9" x 6.39" x 6.31"



ROCKVILLE

RockvilleAudio.com

©2024 ROCKVILLE // The information presented is subject to change and/or improvement without notice.