

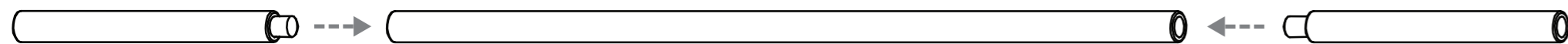


# Rock2D2 ASSEMBLY GUIDE

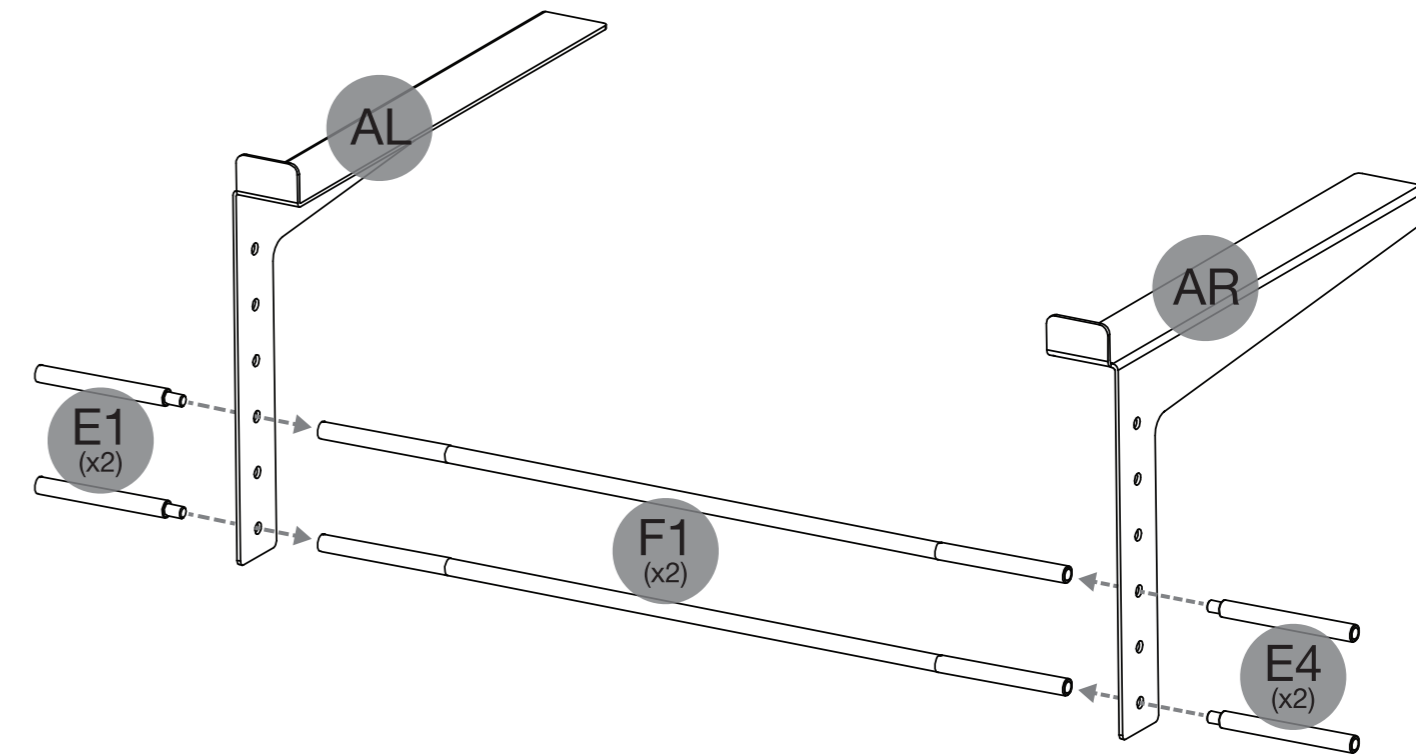
Thank you for purchasing the Rock2D2 Adjustable Dual Shelf DJ Controller MIDI Keyboard Laptop Stand. Please read these instructions carefully before using the stand. Make sure all parts are included. If any parts are missing please contact our technical help line at 1-646-758-0144, Monday through Friday, 9am to 5pm EST.

A		2	E		E1: 3 pieces E2: 3 pieces E3: 3 pieces E4: 3 pieces	12
B		2	F		F1: 3 pieces	3
C		2	G		G1: 1 piece G2: 1 piece	8
D		2	H		H1: 2 pieces H3: 2 pieces H2: 3 pieces H4: 3 pieces	10

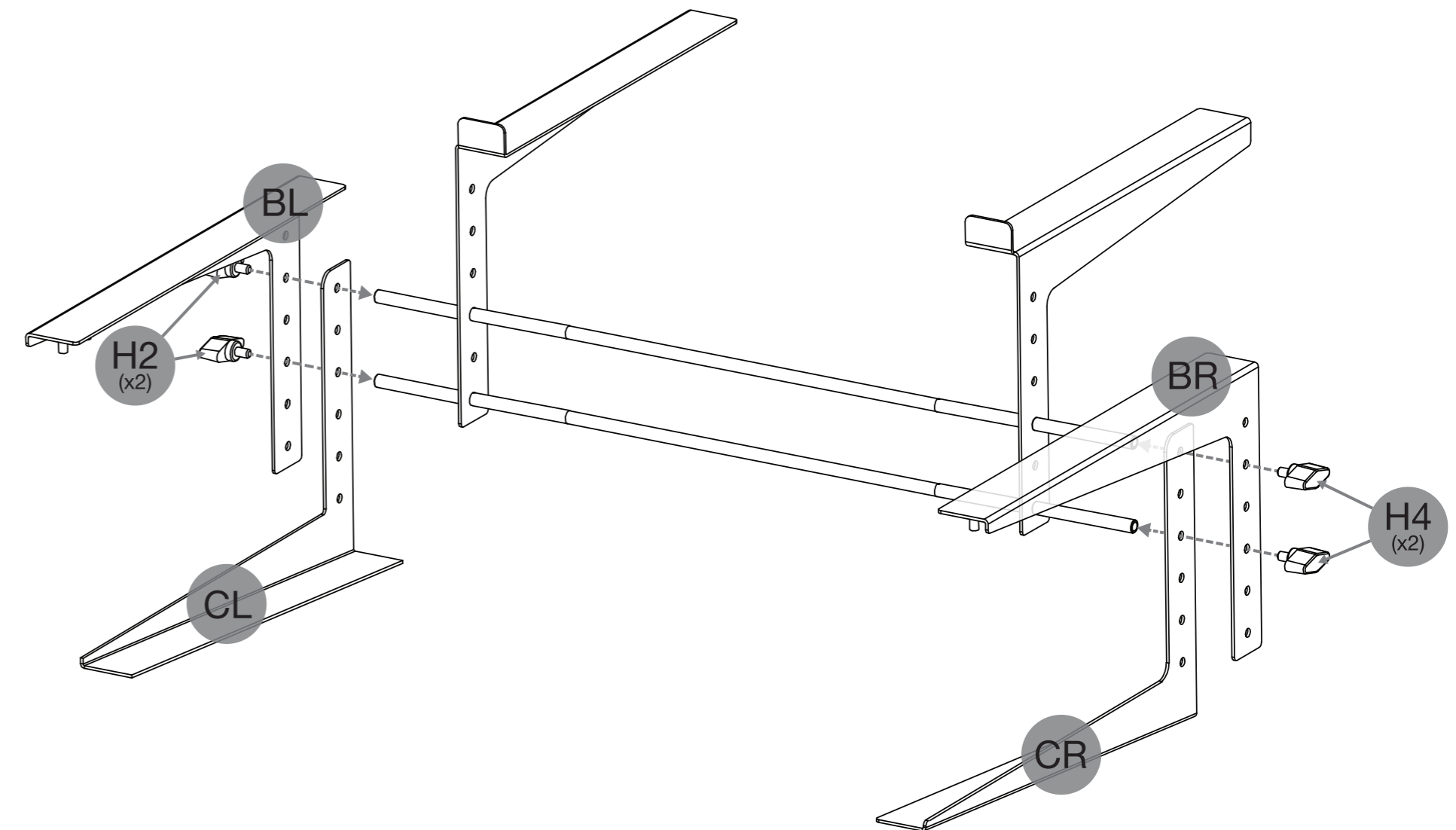
**1. Assemble central support rods:** screw one E3 piece to the left end and one E2 piece to the right end of the an F1 rod. Repeat this procedure with a second F1 rod. These will serve as the horizontal central supports. Once assembled, set them aside.



## 2. Assemble MIDI controller supports:

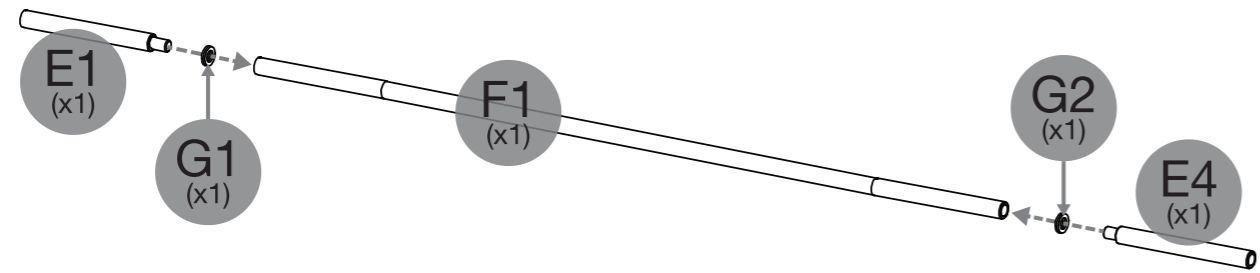


## 3. Connect keyboard supports and stand feet to MIDI controller supports:

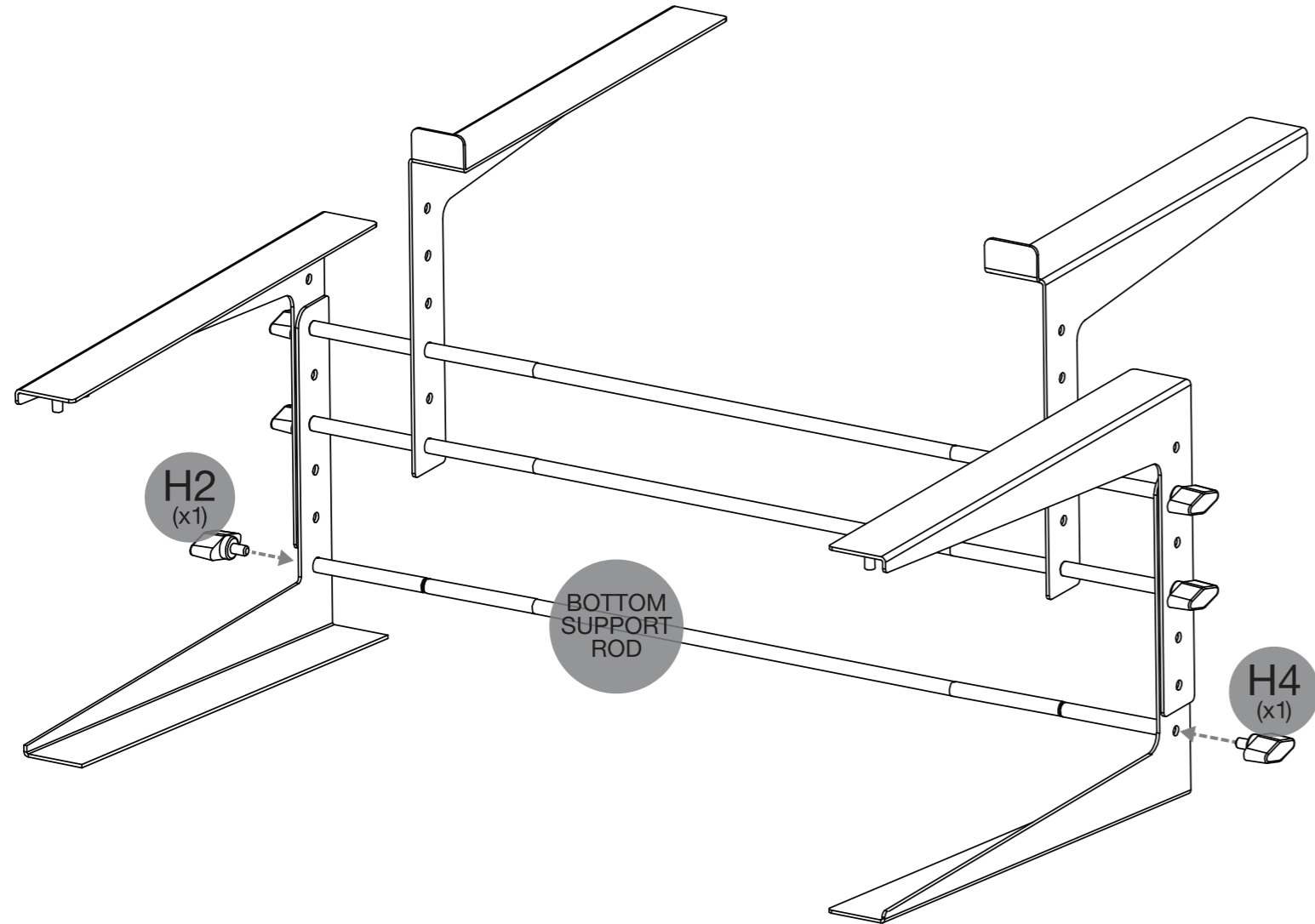


**4. Assemble bottom support rod using the remaining E1, E4, F1, G1, and G2 pieces:**

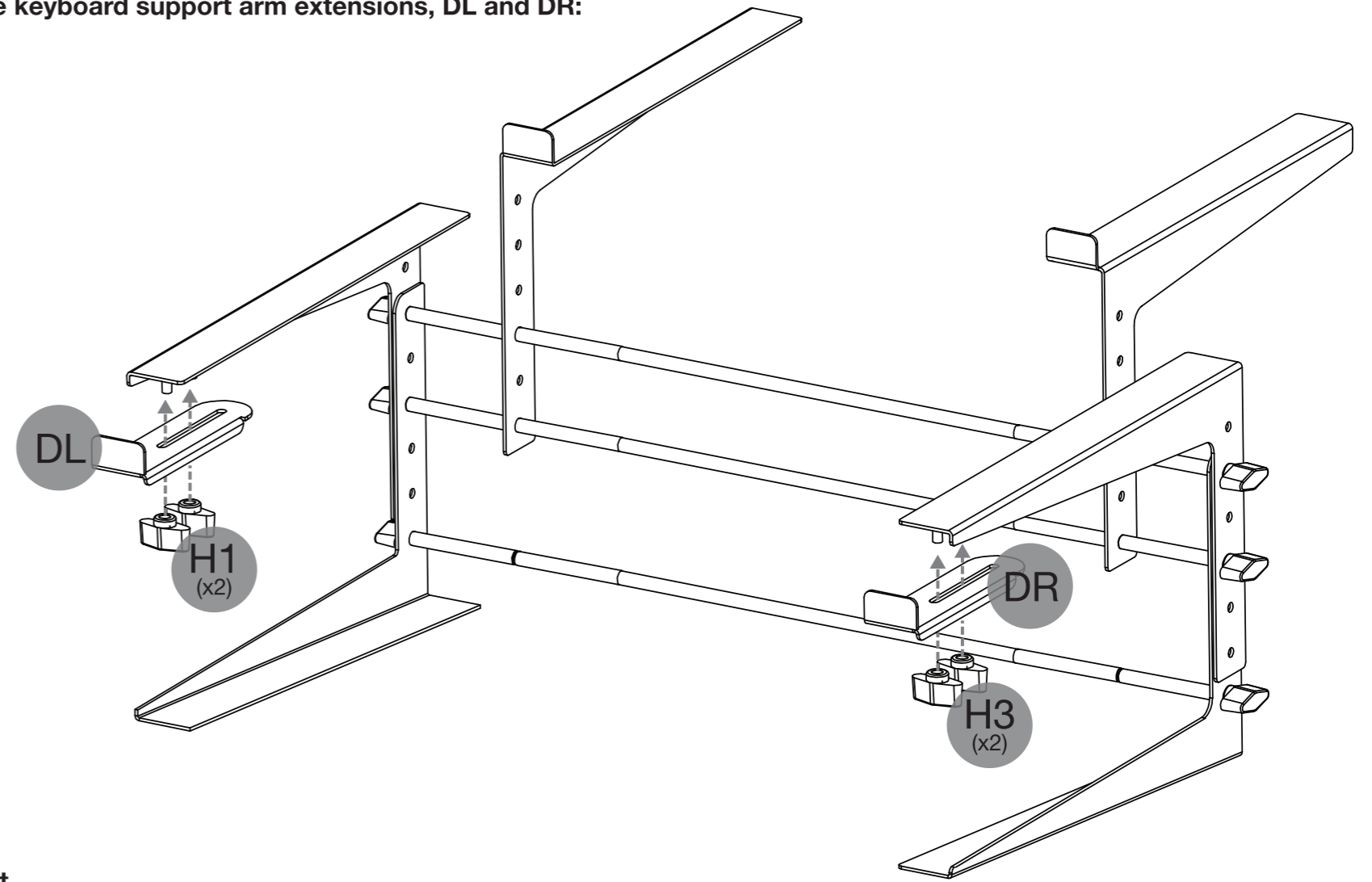
Additional washers are included and can be added as needed.



**5. Connect bottom support rod to the bottom holes of the stand feet:**



**6. Connect the keyboard support arm extensions, DL and DR:**



**Final product**

