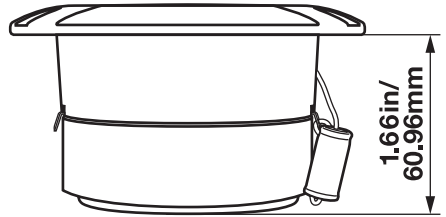
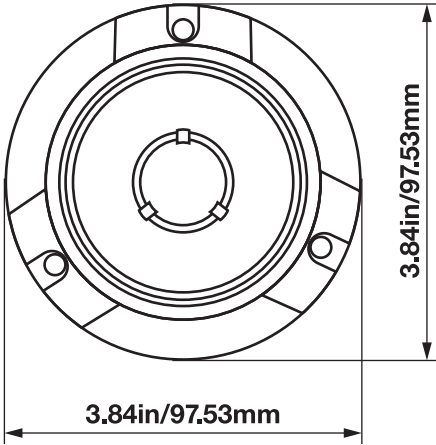


ROCKVILLE

CUTTING TEMPLATE & MOUNTING DIAGRAM

RT5

2" Aluminum Car/Pro Tweeter

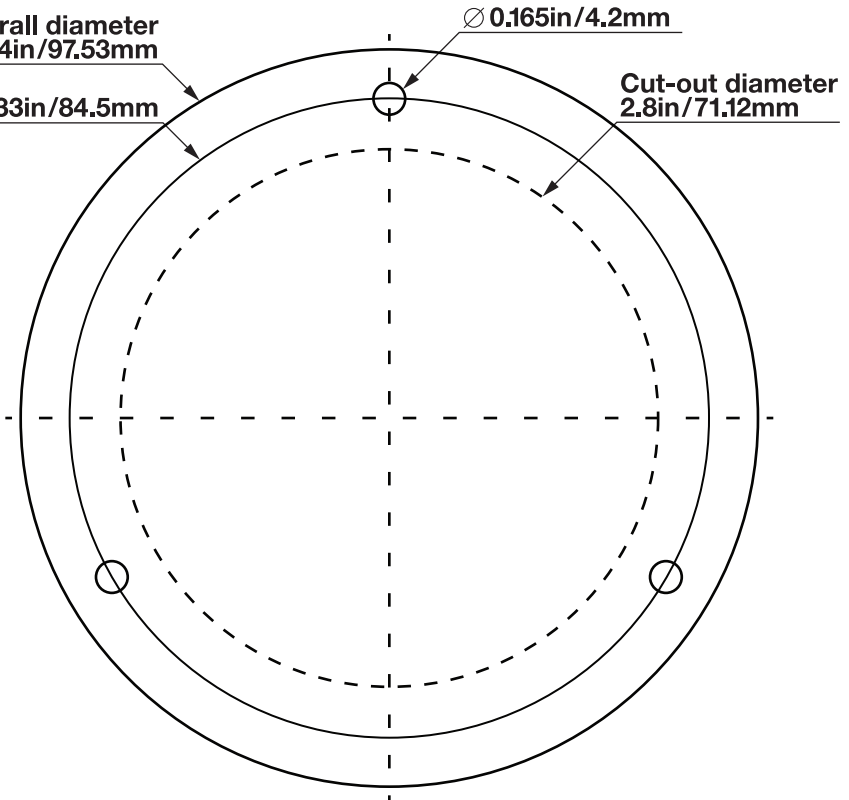


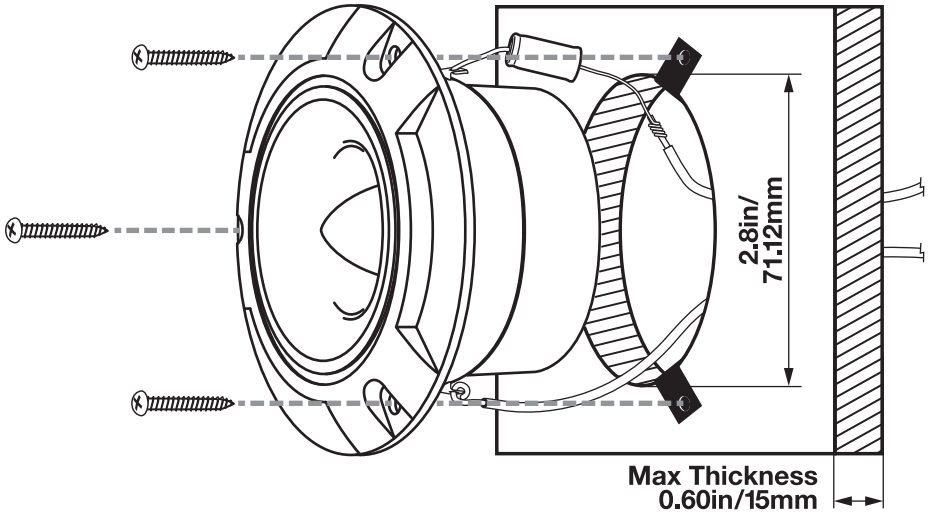
Overall diameter
3.84in/97.53mm

3.33in/84.5mm

Ø 0.165in/4.2mm

Cut-out diameter
2.8in/71.12mm





Features

- 1" High Temperature Die Cast Kapton Voice Coil
- Extremely loud and clear highs with an amazing frequency response that can even play some mids
- Ferro Fluid Enhanced Voice Coil Cooling
- Shallow Mounting Depth
- 10oz. Magnet
- Includes Mounting Hardware
- **Impedance:** 4 ohm
- **Cutout Diameter:** 2.8"
- **Mounting Depth:** 1.66"
- **Frequency Response:** 2kHz – 20kHz
- **Sensitivity:** 96dB @ 1w/1m

Thank you for purchasing this Rockville RT5 Aluminum Car/Pro Tweeter. Should you need assistance during your install, please call our technical help line at 1-646-758-0144, 24 hours a day/7 days a week.

RockvilleAudio.com

© 2022 ROCKVILLE // Features and specifications are subject to change and/or improvement without notice