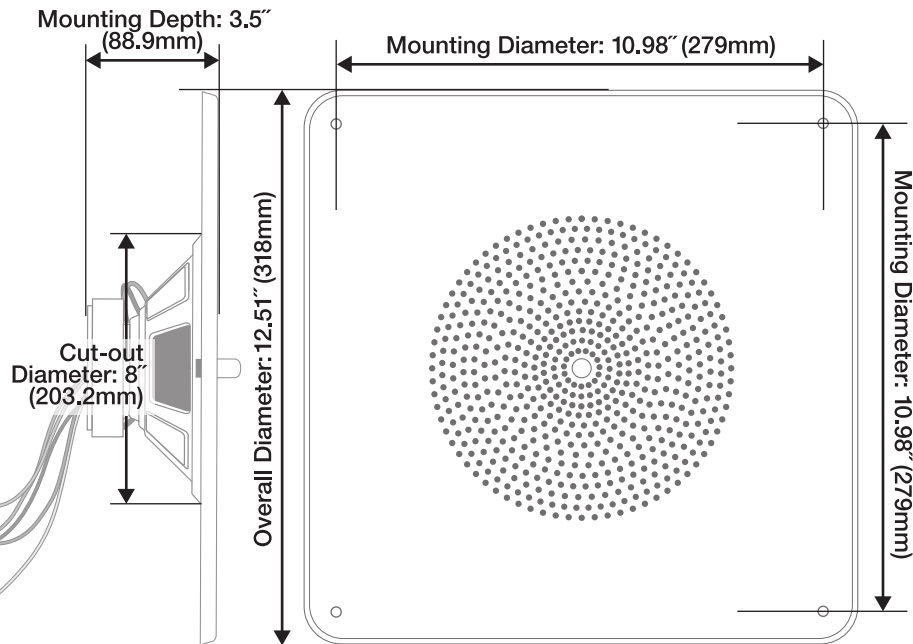


## Features/Specifications

- Pair of Rockville MS81 8" Commercial 70v/25V In-Ceiling Metal Speakers for background music and PA applications
- Metal housing is rugged, reliable, and blends in nicely with standard ceiling designs.
- Built-in volume control allows you to set the volume from the front! Note: The control is camouflaged into the center of the grille and is easily accessible without removing the speaker.
- 8 ohm transformer by-pass allows you to use this speaker for standard 8 ohm applications.
- These are the most common style of speakers for large retail stores, schools, and many other applications.
- Paper woofer cone is very sensitive allowing for high volume levels even if you set the tap at only 0.5 watts.
- The 8" cone moves a ton of air and gives this speaker a deeper bass response then 6.5" or 5.25" options.
- Dual cone driver allows these to play a full frequency range with increased sensitivity. For many commercial applications, this can be much better then having a separate high frequency driver.
- Steel grilles
- Frequency Response: 70Hz – 20KHz
- Sensitivity: 90dB @ 1w/1m
- Maximum SPL (Pax/1m): 100dB
- Magnet: 5oz ferrite
- Dispersion @ 100HZ: 120° conical
- Overall Diameter: 12.51"
- Mounting diameter: 10.98"
- Mounting depth: 3.5"
- Cut-out Diameter: 8"
- Weight: 2.7lbs (each)
- Color: off-white

## Dimensions



**RockvilleAudio.com**

© 2024 ROCKVILLE // Features and specifications are subject to change and/or improvement without notice

# ROCKVILLE

## MS81 8" 70V/25V COMMERCIAL IN-CEILING METAL SPEAKERS

### OWNER'S MANUAL

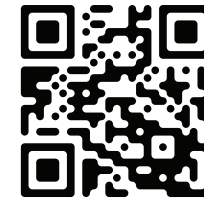
**ATTENTION:  
WATCH THIS VIDEO BEFORE FIRST USE!**

#### *Who reads manuals?*

Scan the **QR code** or go to [rockvillesupport.com/ms81](https://rockvillesupport.com/ms81) to access how-to video(s), the owner's manual, and other important information you may need to get the most out of your item.

**If you prefer written instructions, please read ahead!**

*With Rockville you get many options.*



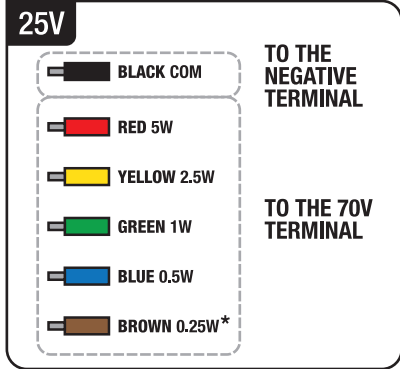
**Missing items?** If you ordered a bundle that includes more than one product and you are missing part of your bundle, then it just means your order shipped from two different warehouses. You will receive the remaining items very soon. If you have any concerns or inquiries, feel free to call our customer support center at 1-646-758-0144, 24 hours a day/7 days a week.

The Rockville MS81 is a great choice for any restaurant, office, school, retail store, or other commercial application. This speaker will sound great for all your PA announcements and background music. This in-ceiling speaker features a metal housing which is strong and long-lasting as well as a volume knob on the front that allows you to instantly tweak the volume without needing to remove the speaker!

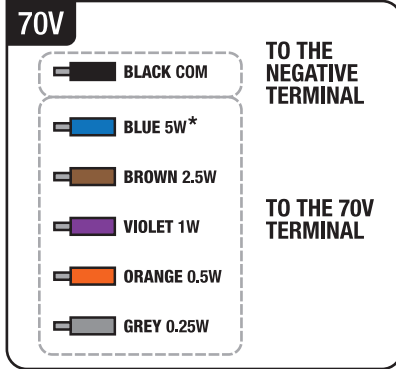
Please read this guide carefully for proper use of your MS81 commercial in-ceiling speakers. Should you need assistance please call our technical help line at 1-646-758-0144, 24 hours a day/7 days a week.

## Choosing the Appropriate Tap

The “taps” are the six color coded wires that extend from the transformer attached to the speaker. The first one is black and is the COM (negative) terminal. The other five are the available power options (see diagram below). These power options allow for full customization of the sound for the space in which the speakers are to be installed. In a restaurant, for example, you can tap your dining room, hallway, and bathroom speakers at 2.5 watts. Then the speakers in the outside seating area can be set at 5 watts. Another feature of 70-volt speakers is that you can mix and match any type whether they are in-ceiling speakers (such as these), wall mounted speakers, subwoofers, etc.



\* **ATTENTION:** The BROWN tap cable serves as the 0.25W tap when used in 25V mode and as the 2.5W tap when used in 70V mode.

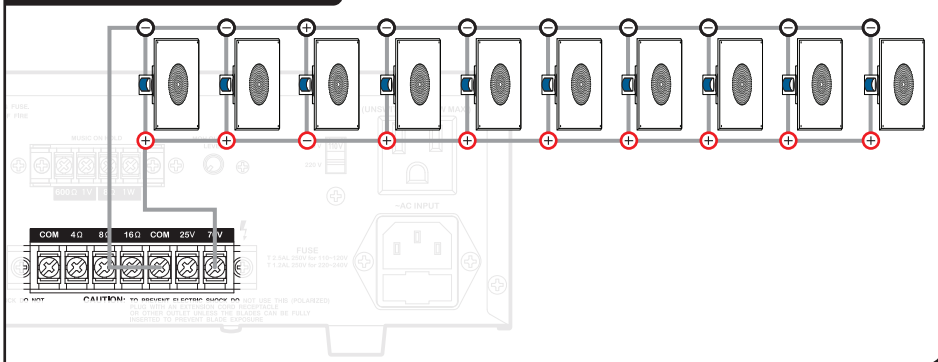


\* **ATTENTION:** The BLUE tap cable serves as the 5W tap when used in 70V mode and as the 0.5W tap when used in 25V mode.

## Wiring

70-volt speaker set-ups allow you to run very long lines of speaker wire without signal loss. Wire all the positive terminals of the speakers to the positive 70-volt terminal of the amplifier. The COM (negative) terminal on the speaker simply gets wired to the negative terminals on the amp. You don't have to worry about impedance, as the power is constant. The total number of speakers multiplied by the tap value cannot exceed the output power (in watts) of your 70V amplifier. The example below shows 10 total speakers. Using the 70V 5W taps, the total wattage is 50W (10 speakers x 5W = 50W). A good rule of thumb is to select an amplifier with 15 to 20% greater power; in this case, an amplifier that delivers about 60W.

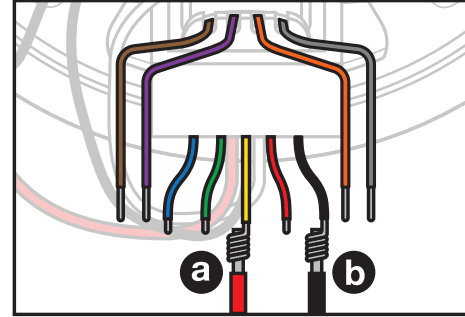
### Multi-Speaker Connection



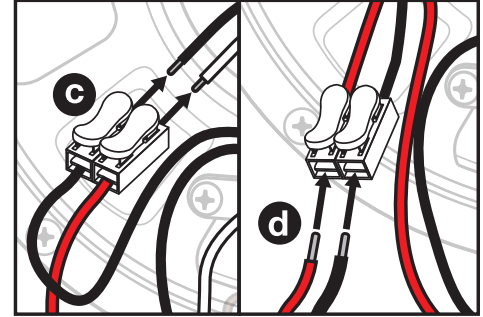
## Installation and Wiring

**Tools needed:** Drywall knife, power drill, and wire strippers.

- Using the included template, mark the location of the mounting holes and cut an opening in the ceiling. Pre-drill the mounting holes and insert an anchor into each one.
- Wire the speakers using the appropriate wiring configuration (see below).

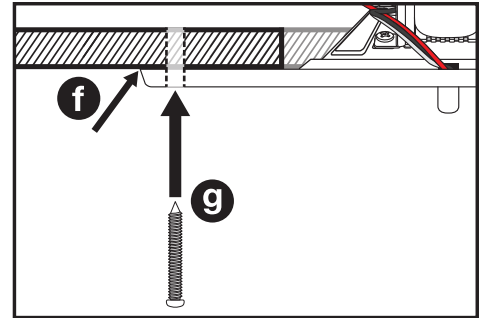
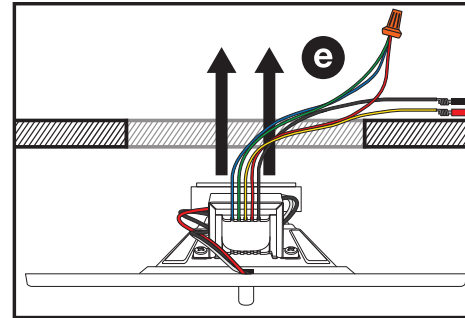


**25V/70V Wiring:** Connect the red (positive) speaker cable to the appropriate 70 volt tap wire (fig. a). Connect the black (negative) speaker cable to the black COM (negative) tap wire (fig. b).



**8 ohm Wiring:** Disconnect the black wire and the white wire from the connector (fig. c). Connect the black (negative) speaker cable and the red (positive) speaker cable to the corresponding ports on the connector (fig. d).

3. Carefully insert all cables into the pre-cut opening and cap off any unused taps or wires (fig. e). Now insert the speaker into the opening until the mounting plate sits snug against the ceiling (fig. f). Align the mounting holes with the predrilled holes. Use four of the eight included screws to secure the speaker (fig. g). Do not overtighten.



## Adjusting the Speaker Volume

The MS81 features a built-in volume control camouflaged into the center of the grille allowing you to instantly change the volume level without needing to uninstall it.

