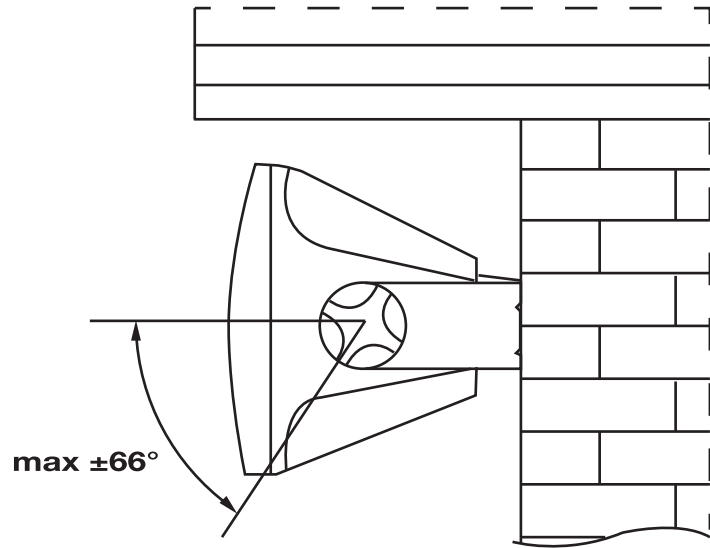


Mounting



1. Remove the bracket knobs and the bracket from the speakers.
2. Hold the bracket up to the mounting surface. These speakers can be mounted horizontally or vertically. Use a level to ensure that the bracket is square with its surroundings.
3. Once the bracket is level, mark the location of the three screw holes. Be sure to use all the screw holes as this will ensure that the bracket is securely attached to the mounting surface.
4. Remove the bracket and drill holes where your marks are.
5. Gently pull the speaker wire through the large circular hole in the middle of the bracket. Now place the bracket against the mounting surface so that the holes all line up.
6. Use the included hardware to attach the bracket to the mounting surface.
7. Mount the speaker to the bracket and tighten the mounting knobs. Do not tighten completely.
8. Check to make sure the speaker is in phase and functioning correctly. Angle the speaker to desired position.
9. Hand tighten the bracket knobs. Do not use power tools as they may over tighten the knobs and strip the threads of the insert.
10. Double check that the installation is safe and secure.

RockvilleAudio.com

© 2019 ROCKVILLE // Features and specifications are subject to change and or improvement without notice

ROCKVILLE



OWNER'S MANUAL

HP5S/HP5S-8 & HP5S BK/HP5S-8 BK

5" 420 Watt Outdoor/Indoor Home Theater
Speakers w/Swivel Brackets

The Rockville HP-S series outdoor/indoor home theater speakers feature heavy duty ABS construction and can literally be thrown off your roof without getting damaged. These are also completely waterproof. You can keep them outdoors in the rain and moisture and they will not get damaged. These speakers are perfect for patios, large backyards, and indoor applications. These are also perfect for use in commercial spaces like gyms, hotels, and more. Rubber surrounds eliminate unwanted distortion while our forward-facing bass reflex port adds a deeper, more powerful bass response. Each pair puts out 140 watts RMS and 420 watts peak power. These speakers are extremely loud! We upgraded our model with gold-plated spring loaded push button terminals for easy and secure wiring.

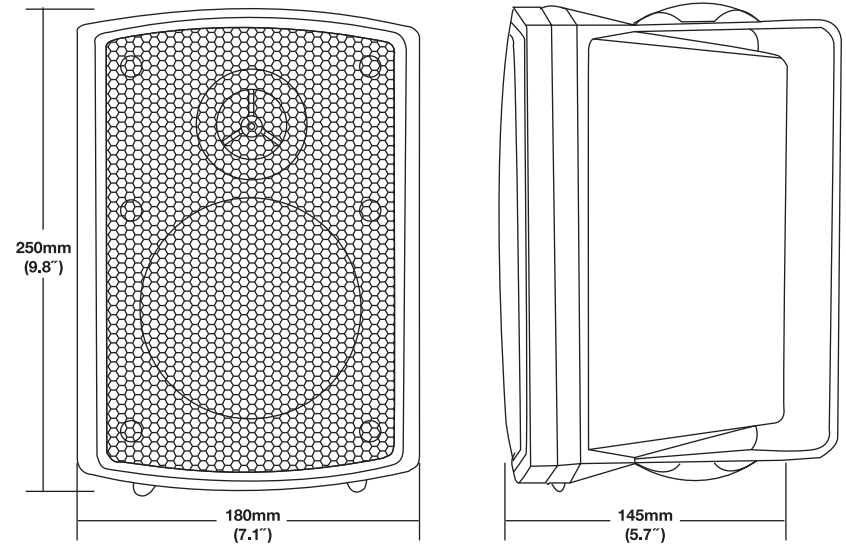
Please read this guide carefully for proper use of your Rockville HP-S series outdoor/indoor home theater speakers. Should you need technical assistance please call our technical help line at 1-646-758-0144, Monday through Friday, 9am to 5pm EST.

Features/Specifications

HP5S/HP5S-8/HP5S BK/HP5S-8 BK

- Peak Power Handling: 420 Watts (per pair)
- RMS Power Handling: 140 Watts (per pair)
- Polypropylene Cone
- Rubber Surrounds
- 1" Aluminum Voice Coils
- 5.25" Woofer
- ½" Mylar Dome Tweeters
- 10 oz. Ferrite Magnet
- Plastic Spring Loaded Push Terminals
- Completely Waterproof
- Tough ABS Construction
- Swiveling Metal Mounting Brackets
- Removable Metal Rustproof Grills
- Built-in Capacitor Crossover Network
- Frequency Response: 60Hz – 20KHz
- Sensitivity: 90dB @ 1w / 1m
- Impedance: Available in 4 Ohm or 8 Ohm
- Dimensions (H*W*D): 9.8" x 7.1" x 5.7" inches (250 x 180 x 145 mm)
- Color: Available in White or Black (w/paintable grills)

Dimensions



Connecting your Speakers

Connecting the speakers to your amplifier or receiver.

- First turn your amplifier off to avoid damage which may result from accidental shorting of the speaker leads.
- Correct phase polarity is critical for proper stereo imaging and bass performance. The red (+) terminal on your amplifier or receiver must be connected to the red (+) terminal on your speaker, the same applies for the black (-) terminal.
- Connect one loudspeaker at a time to ensure proper connection of left and right channels. Make sure all wires are firmly fastened.
- If you notice a high level of bass or central image focus, double check your connections for proper polarity.

